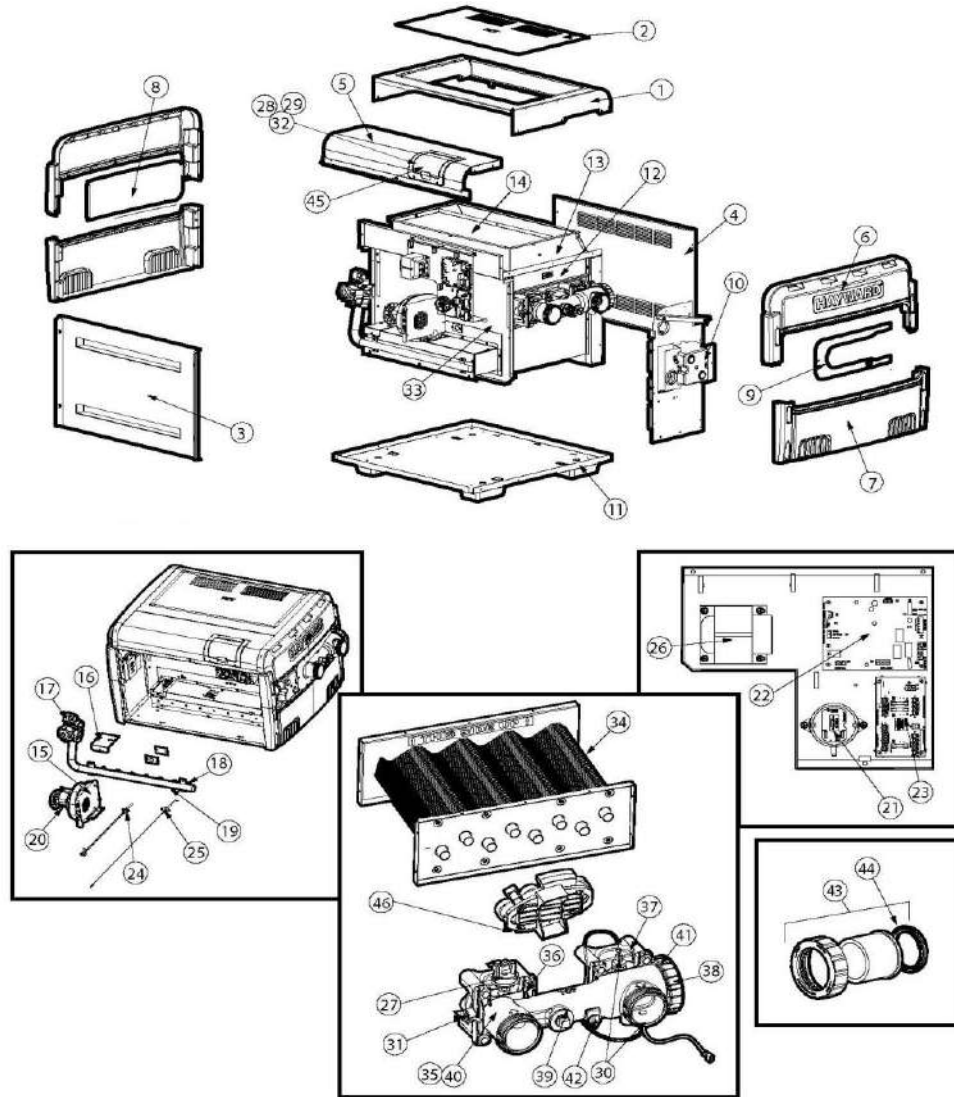


**HAYWARD - HEATER PARTS - UNIVERSAL H-SERIES FD LOW NOX  
H150FDN, H200FDN, H250FDN, H300FDN, H350FDN, H400FDN,  
H500FDN**



ITEM PART NUMBER	KEY	PRINTED DESCRIPTION	RETAIL PRICE	QTY TO ORDER
PTS-FDXLJKT1150	1	JACKET TOP H150FD	231.99	
PTS-FDXLJKT1200	1	JACKET TOP & FLUE COVER H200FD	236.99	
PTS-FDXLJKT1250	1	JACKET TOP & FLUE COVER H250FD	246.99	
PTS-FDXLJKT1300	1	JACKET TOP & FLUE COVER H300FD	246.99	
PTS-FDXLJKT1350	1	JACKET TOP H350FD	238.99	
PTS-FDXLJKT1400	1	JACKET TOP & FLUE COVER H400FD	272.99	
PTS-FDXLTFC1200	2	TOP/FLUE COVER H200FD	107.99	
PTS-FDXLTFC1250	2	TOP/FLUE COVER H250FD	123.99	
PTS-FDXLTFC1300	2	TOP/FLUE COVER H300FD	127.99	
PTS-FDXLTFC1400	2	TOP/FLUE COVER H400FD	144.99	
PTS-FDXLFAD1300	3	FRONT ACCESS DOOR ASSY H300FD	199.99	

**HAYWARD - HEATER PARTS - UNIVERSAL H-SERIES FD LOW NOX H150FDN, H200FDN, H250FDN, H300FDN, H350FDN, H400FDN, H500FDN CONTINUED**

ITEM PART NUMBER	KEY	PRINTED DESCRIPTION	RETAIL PRICE	QTY TO ORDER
PTS-FDXLFAD1151	3	FRONT ACCESS DOOR ASSY H150FD 1 SCREW	204.99	
PTS-FDXLFAD1201	3	FRONT ACCESS DOOR ASSY H200FD 1 SCREW	204.99	
PTS-FDXLFAD1251	3	FRONT ACCESS DOOR ASSY H250FD 1 SCREW	225.99	
PTS-FDXLFAD1251A	3	FRONT ACCESS DOOR H250FDASME 1 SCREW	225.99	
PTS-FDXLFAD1301	3	FRONT ACCESS DOOR ASSY H300FD 1 SCREW	229.99	
PTS-FDXLFAD1351	3	FRONT ACCESS DOOR ASSY H350FD 1 SCREW	234.99	
PTS-FDXLFAD1401	3	FRONT ACCESS DOOR ASSY H400FD 1 SCREW	238.99	
PTS-FDXLFAD1401A	3	FRONT ACCESS DOOR H400FDASME 1 SCREW	238.99	
PTS-FDXLRAD1200	4	JACKET TOP & FLUE COVER H300FD	152.99	
PTS-FDXLTFP1201	5	TOP & FRONT PANEL H200FD	105.99	
PTS-FDXLUDEC1930	6	UPPER END CAP FD	108.99	
PTS-FDXLLEC1930	7	LOWER END CAP FD	124.99	
PTS-FDXLLCB1930	10	LEFT CONNECTION BOX KIT FD	82.99	
PTS-FDXLLJC1930	10	KIT, LEFT JUNCTION BOX COVER	27.99	
PTS-FDXLRJC1930	10	KIT, RIGHT JUNCTION BOX COVER	27.99	
PTS-FDXLPBL1930	11	BASE LEG KIT FD	43.99	
PTS-FDXLFCS1931	12	FLUE COLLECTOR SIDE PANEL KIT W/ HIGH LIMIT	57.99	
PTS-FDXLRGK1301	13	KIT-RAINGUARD ASSY H300FD	250.99	
PTS-FDXLRGK1401	13	KIT-RAINGUARD ASSY H400FD	192.99	
PTS-FDXLHBP1200	14	HEAT BARRIER PNL KIT H200FD	117.99	
PTS-FDXLHBP1250	14	HEAT BARRIER PNL KIT H250FD	118.99	
PTS-FDXLHBP1400	14	HEAT BARRIER PNL KIT H400FD	122.99	
PTS-FDXLBBN1250	15	BLOWER INLET BFL KIT H250FD (LIMITED STOCK)	34.99	
PTS-FDXLGSV0001	17	GAS VALVE NAT. KIT FD	296.99	
PTS-FDXLGSV0002	17	GAS VALVE LP KIT FD	296.99	
PTS-FDXLBON1930	18	BURNER ORIFICE (QTY 8) NAT KIT FD	55.99	
PTS-FDXLBOP1930	18	KIT-GAS ORIFICE,LP (PK 8) UHS	55.99	
PTS-FDXLCNK0001	19	FD CONVERSION KIT NA TO LP	296.99	
PTS-FDXLCNK0002	19	FD CONVERSION KIT LP TO NA	296.99	
PTS-FDXLBWR1930	20	COMBUSTION BLOWER KIT FD	272.99	
PTS-FDXLBVS1930	21	BLOWER VACUUM SWITCH	36.99	
PTS-FDXLICB1930	22	INTGR. CTRL. BRD. KIT FD	378.99	
PTS-FDXLFWP1930	23	FIELD WIRING PNL. KIT FD	91.99	
PTS-FDXLIGN1930	24	IGNITOR KIT FD	96.99	
PTS-IDXLFLS1930	25	FLAME SENSOR	93.99	
PTS-IDXL2TRF1930	26	TRANSFORMER	115.99	
PTS-FDXLWPS1930	27	PRESSURE SWITCH, FD HEATERS	38.99	

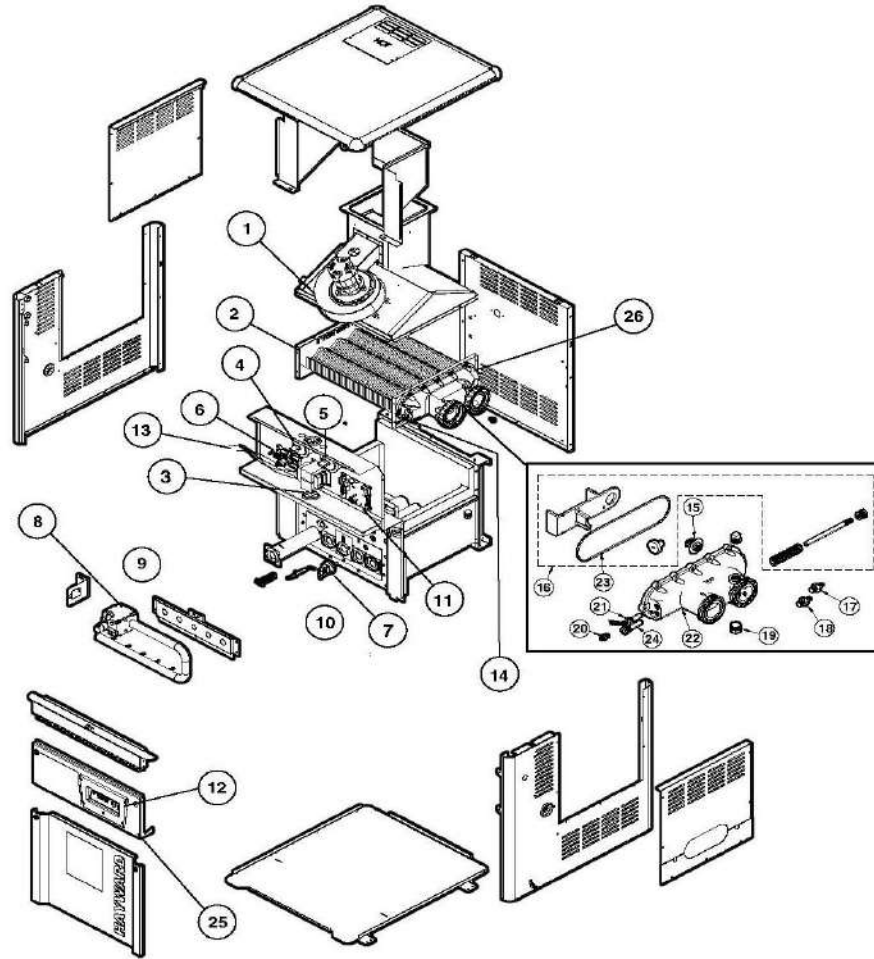
**HAYWARD - HEATER PARTS - UNIVERSAL H-SERIES FD LOW NOX H150FDN, H200FDN, H250FDN, H300FDN, H350FDN, H400FDN, H500FDN CONTINUED**

ITEM PART NUMBER	KEY	PRINTED DESCRIPTION	RETAIL PRICE	QTY TO ORDER
PTS-IDXL2DB1930	28	DISPLAY BOARD	262.99	
PTS-FDXLBKP1930	29	BEZEL & KEYPAD ASSY KIT FD	95.99	
PTS-FDXLBKP1932	29	KIT-BEZEL & KEYPAD ASSY UHS CO	197.99	
PTS-FDXLHLI1930	30	HIGH LIMIT KIT, FD HEATERS	51.99	
PTS-FDXLTER1930	31	THERMISTOR, FD HEATER	55.99	
PTS-FDXLGSK1932	32	BEZEL/TOP GASKET KIT FD	32.99	
PTS-FDXLGSK1934	33	CC FRNT/AIR BOX GASKET KIT FD	72.99	
PTS-FDXLHXA1150	34	HEAT EXCH ASSY - H150FD	1312.99	
PTS-FDXLHXA1200	34	HEAT EXCH ASSY - H200FD	1312.99	
PTS-FDXLHXA1250	34	HEAT ECH ASSY - H250FD	1230.99	
PTS-FDXLHXA1250A	34	HEAT EXCH ASSY - H250FD ASME	3622.99	
PTS-FDXLHXA1300	34	HEAT EXCH ASSY - H300FD	1431.99	
PTS-FDXLHXA1350	34	HEAT EXCH ASSY - H350FD	1552.99	
PTS-FDXLHXA1400	34	HEAT EXCH ASSY - H400FD	1663.99	
PTS-FDXLHXA1400A	34	HEAT EXCH ASSY - H400FD ASME	4153.99	
PTS-FDXLHXA1500	34	HEAT EXCH ASSY - H500FD	1972.99	
PTS-FDXLHXA1500A	34	HEAT EXCH ASSY - H500FD ASME	4670.99	
PTS-FDXLFHA1930	35	HEADER ASSY, FD HEATERS	283.99	
PTS-FDXLHDW1930	36	HEADER HARDWARE KIT, FD	38.99	
PTS-FDXLHMB1930	37	KIT-HEADER MOUNTING BASE	59.99	
PTS-FDXLBPK1930	38	BYPASS CARTRIDGE KIT,FD HTR	37.99	
PTS-CHXPLG1930	39	3/4" DRAIN PLUG CZ & HM2	23.99	
PTS-FDXLEGL1930	40	EXHAUST GAS TEMPERATURE LIMIT (ONE-USE)	23.99	
PTS-FDXLPRM1930	41	KIT-POLYMER RETURN MANIFOLD	74.99	
PTS-SPX4000FG	42	DRAIN PLUG W/GASKET	6.99	
PTS-SPX3200UNKIT	43	TRISTAR UNION CONN. KIT	57.99	
PTS-SPX3200UG	44	UNION GASKET (T-SEAL)	13.99	
PTS-FDXLKPC1930	45	KIT-KEYPAD COVER UHS	22.99	
PTS-FDXLPRM1930	46	KIT-POLYMER RETURN MANIFOLD	74.99	
PTS-FDXLBPC1150		KIT-BEZEL CONTROL PANEL, 150	326.99	
PTS-FDXLBPC1200		KIT-BEZEL CONTROL PANEL, 200	326.99	
PTS-FDXLBPC1250		KIT-BEZEL CONTROL PANEL, 250	326.99	
PTS-FDXLBPC1300		KIT-BEZEL CONTROL PANEL, 300	326.99	
PTS-FDXLBPC1350		KIT-BEZEL CONTROL PANEL, 350	326.99	
PTS-FDXLBPC1400		KIT-BEZEL CONTROL PANEL, 400	326.99	
PTS-FDXLBPC1500		KIT-BEZEL CONTROL PANEL, 500	326.99	

**HAYWARD - HEATER PARTS - UNIVERSAL H-SERIES FD LOW NOX H150FDN, H200FDN, H250FDN, H300FDN, H350FDN, H400FDN, H500FDN CONTINUED**

ITEM PART NUMBER	KEY	PRINTED DESCRIPTION	RETAIL PRICE	QTY TO ORDER
PTS-FDXLBRN1930	N/S	FD BURNER KIT	404.99	
PTS-FDXLDRV1930A	N/S	DRAIN VALVE KIT ASME	32.99	
PTS-FDXLFSK1930	N/S	FUSE SERVICE KIT FD	35.99	
PTS-FDXLFSKC30	N/S	KIT, BULK 3.0 AMP BLADE FUSE	23.99	
PTS-FDXLFSKF15	N/S	KIT, BULK 1.5 AMP MINI-FUSE	40.99	
PTS-FDXLFSKF25	N/S	KIT, BULK 2.5 AMP MINI-FUSE	40.99	
PTS-FDXLFSKF30	N/S	KIT, BULK 3.0 AMP MINI-FUSE	42.99	
PTS-FDXLGSK1930	N/S	GASKET KIT-AIR SIDE ALL FD	74.99	
PTS-FDXLGSK1931	N/S	GASKET KIT-EXHAUST SIDE ALL FD	141.99	
PTS-FDXLGSK1933	N/S	RETURN SIDE T-SIDE INSUL. KIT (LIMITED STOCK)	36.99	
PTS-FDXLHAK1930	N/S	KIT, HIGH ALT 250/350/400 2000-10200'	123.99	
PTS-FDXLUNK1930A	N/S	UNION KIT	124.99	
PTS-FDXLVPS1930	N/S	KIT- VENT PRESSURE SWITCH	59.99	
PTS-FDXLVPS1931	N/S	KIT_ HA-VENT PRESSURE SWITCH	100.99	
PTS-FDXLVSJ1930	N/S	KIT, VOLTAGE SELECTOR JUMPER	57.99	
PTS-FDXLWHA0001	N/S	WIRING HARNESS ASSY FD KIT	126.99	
PTS-FDXLWHA1930	N/S	WIRING HARNESS ASSY FD KIT	158.99	
PTS-IDXLTMB1931	N/S	TERMINAL BLOCK - 6 POLE	34.99	
PTS-UHXTFP1930	N/S	KIT TEMP / PRESSURE & FLOW SWITCH	717.99	
PTS-UHXLOK1930	N/S	KIT-UHS CONTROL BEZEL LOCKING	81.99	
PTS-UHXNEGVT11506	N/S	KIT NEG VERT 150 INDR 6" ADPTR	322.99	
PTS-UHXNEGVT12006	N/S	KIT NEG VERT 200 INDR 6" ADPTR	322.99	
PTS-UHXNEGVT12506	N/S	KIT NEG VERT 250 INDR 6" ADPTR	322.99	
PTS-UHXNEGVT13008	N/S	KIT NEG VERT 300 INDR 8" ADPTR	322.99	
PTS-UHXNEGVT13508	N/S	KIT NEG VERT 350 INDR 8" ADPTR	322.99	
PTS-UHXNEGVT14008	N/S	KIT NEG VERT 400 INDR 8" ADPTR	322.99	
PTS-UHXNEGVT15002	N/S	KIT NEG VERT 500 INDR 6" ADPTR	291.00	
PTS-UHXPOSHZ15006	N/S	KIT POS HORZ 500 INDR 6" ADPTR	452.99	
PTS-UHXPOSHZ11506	N/S	KIT POS HORZ 150 INDR 6" ADPTR	452.99	
PTS-UHXPOSHZ12006	N/S	KIT POS HORZ 200 INDR 6" ADPTR	452.99	
PTS-UHXPOSHZ12504	N/S	KIT POS HORZ 250 INDR 4" ADPTR	452.99	
PTS-UHXPOSHZ12506	N/S	KIT POS HORZ 250 INDR 6" ADPTR	452.99	
PTS-UHXPOSHZ13008	N/S	KIT POS HORZ 300 INDR 8" ADPTR	452.99	
PTS-UHXPOSHZ13508	N/S	KIT POS HORZ 350 INDR 8" ADPTR	452.99	
PTS-UHXPOSHZ14006	N/S	KIT POS HORZ 400 INDR 6" ADPTR	452.99	
PTS-UHXPOSHZ14008	N/S	KIT POS HORZ 400 INDR 8" ADPTR	452.99	

# HAYWARD - HEATER PARTS - H-SERIES LOW NOX INDUCED DRAFT

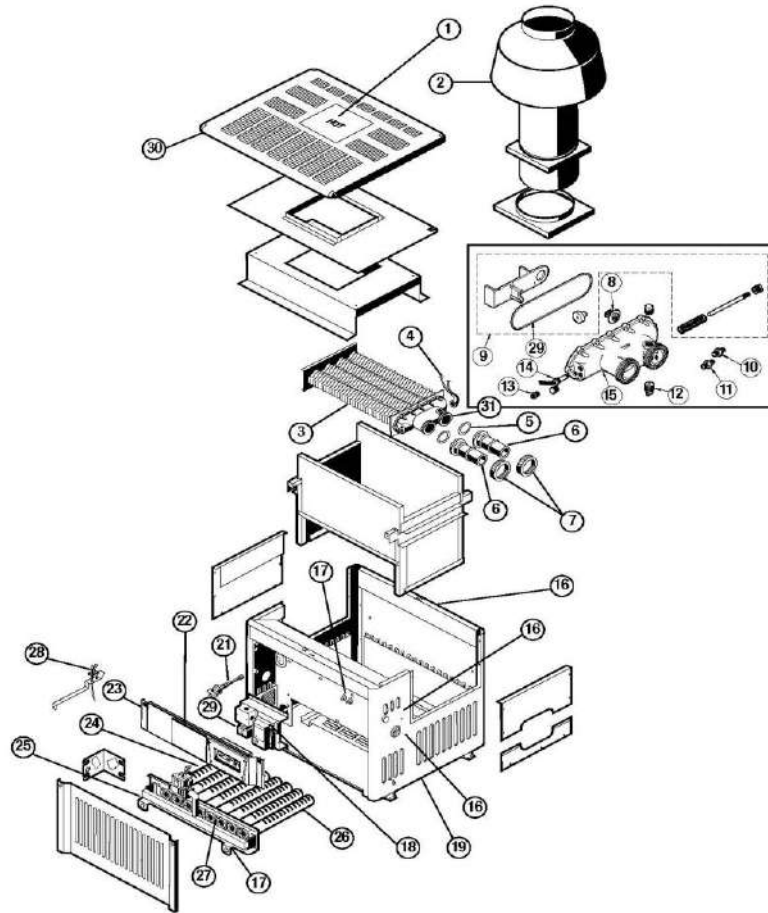


ITEM PART NUMBER	KEY	PRINTED DESCRIPTION	RETAIL PRICE	QTY TO ORDER
PTS-IDXLBWR1930	1	COMBUSTION BLOWER	718.99	
PTS-IDXL2BWR1931		COMBUSTION BLOWER	718.99	
PTS-IDXLBWR1931		COMBUSTION BLOWER-120V	718.99	
PTS-IDXLHXA1250	2	HEAT EXCHANGER ASY - 250 (LIMITED STOCK)	1415.99	
PTS-IHXTRF1930	3	TRANSFORMER	134.99	
PTS-IDXL2TRF1930		TRANSFORMER	115.99	
PTS-IDXLVPS1930	4	VENT PRESSURE SWITCH	128.99	
PTS-IDXL2VPS1930		VENT PRESSURE SWITCH	128.99	
PTS-IDXLBVS1930	5	BLOWER VACUUM SWITCH	78.99	
PTS-IDXL2BVS1930		BLOWER VACUUM SWITCH	78.99	
PTS-IDXL2FSB1930	6	TRANSFORMER FUSE BOARD	151.99	
PTS-HAXPSA1930	7	WATER PRESSURE SWITCH ASY	87.99	
PTS-IDXLIGN1930	9	IGNITOR	143.99	
PTS-IDXLIGN1931		IGNITOR-120V	143.99	

## HAYWARD - HEATER PARTS - H-SERIES LOW NOX INDUCED DRAFT CONTINUED

ITEM PART NUMBER	KEY	PRINTED DESCRIPTION	RETAIL PRICE	QTY TO ORDER
PTS-IDXL2IGN1930		IGNITOR	143.99	
PTS-IDXLFLS1930	10	FLAME SENSOR	93.99	
PTS-IHXILS1930	11	INTERLOCK SWITCH	87.99	
PTS-IDXL2ICB1931		INTEGRATED CONTROL BOARD	359.99	
PTS-IDXLCPA1930	12	CONTROL BAZEL ASY, IDL	886.99	
PTS-IDXL2BKP1930		BEZEL KEY PAD	331.99	
PTS-IDXL2DB1930		DISPLAY BOARD	262.99	
PTS-IDXL2BKP1930		BEZEL KEY PAD	331.99	
PTS-IDXLBWR1931		COMBUSTION BLOWER-120V	718.99	
PTS-IDXL2DB1930		DISPLAY BOARD	262.99	
PTS-IDXLWHM1930	13	WIRE HARNESS, MAIN	211.99	
PTS-IDXL2WHM1930		WIRE HARNESS, MAIN	209.99	
PTS-HAXWHA0006	14	INDUCED DRAFT WIRING HARNESS	66.99	
PTS-HAXFCT1930	15	FLOW CONTROL THERMOSTAT	81.99	
PTS-HAXBPK1932	16	BYPASS KIT,ED2&IDL>9/04 ED1&MILL>10/00	70.99	
PTS-HAXHLI1930	17	HI-LIMIT 135'F	51.99	
PTS-HMXHLI2932	18	IMMER. HI LIMIT REAR 160'	51.99	
PTS-HAXDRV1930	19	DRAIN VALVE ASSEMBLY	67.99	
PTS-CHXPSA1930	20	PRESSURE SWITCH ADAPTER	14.99	
PTS-IDXLTER1930	21	THERMISTOR	55.99	
PTS-HAXFHD1931	22	FRONT HEADER ONLY	379.99	
PTS-HAXHOR1930	23	HEADER O-RING	15.99	
PTS-HAXTBW1930	24	THERMOSTAT BULB WELL, COTHERM	23.99	
PTS-IDXLFHA1930	26	FRONT HEADER ASSEMBLY	291.99	
PTS-IDXL2SNT1930	N/S	SILICON TUBE 2.5' SERVICE PART	78.99	
PTS-IDXLTMB1931	N/S	TERMINAL BLOCK - 6 POLE	34.99	

# HAYWARD - HEATER PARTS - H-SERIES ELECTRONIC ED2 H150ED2C, H150PED2C, H250ED2C, H250PED2C



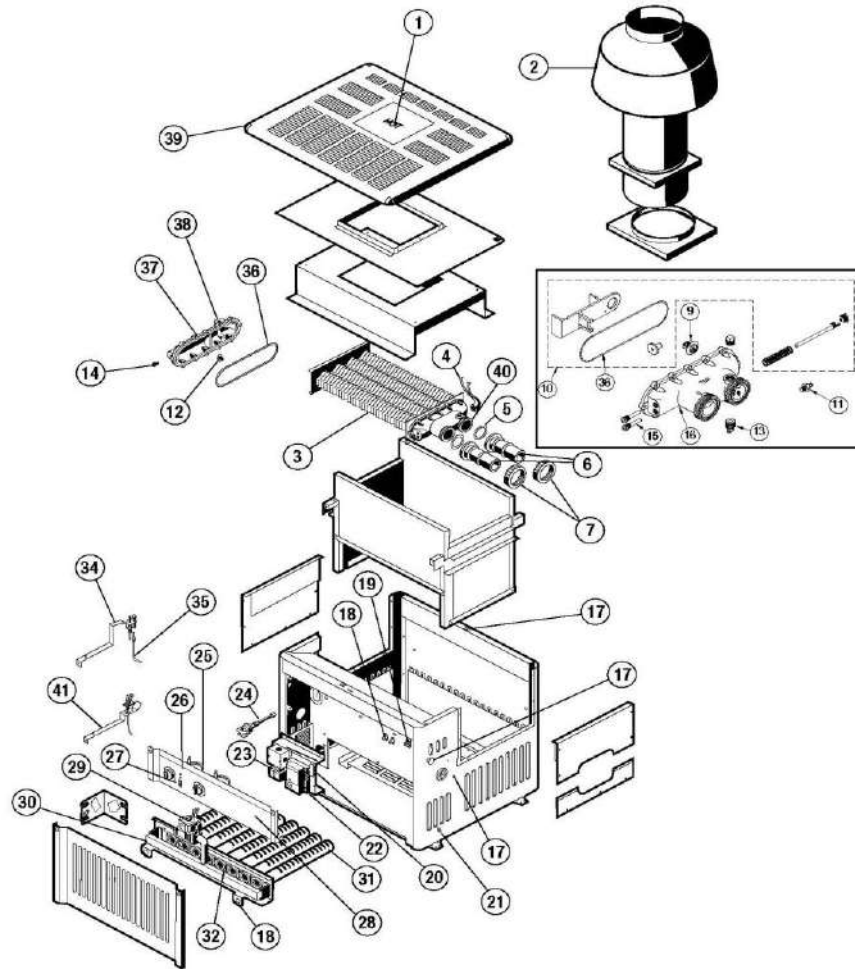
ITEM PART NUMBER	KEY	PRINTED DESCRIPTION	RETAIL PRICE	QTY TO ORDER
PTS-HAXDHO1930	1	DHO INSERT	62.99	
PTS-DHI150	2	"H"150 INDOOR DRAFT HOOD	217.99	
PTS-DHI200	2	"H"200 INDOOR DRAFT HOOD	217.99	
PTS-DHI250	2	"H"250 INDOOR DRAFT HOOD	217.99	
PTS-HWS150	2	"H"150 OUTDOOR DRAFT HOOD -HIGH WIND-	162.99	
PTS-HWS200	2	H200 OUTDOOR DRAFT HOOD-HIGH WIND- (LIMITED STOCK)	165.99	
PTS-HWS250	2	"H"250 OUTDOOR DRAFT HOOD -HIGH WIND-	162.99	
PTS-HAXHXA1153	3	HEAT EXCHGR ASY H150 ALL STYLES	1123.99	
PTS-HAXHXA1203	3	HEAT EXCHGR ASY H200 ALL STYLES	1214.99	
PTS-HAXHXA1253	3	HEAT EXCHGR ASY H250 ALL STYLES	1427.99	
PTS-HAXHXA1303	3	HEAT EXCHGR ASY H300 ALL STYLES	1469.99	
PTS-HAXHXA1353	3	HEAT EXCHGR ASY H350 ALL STYLES	1593.99	
PTS-HAXHXA1403	3	HEAT EXCHGR ASY H400 ALL STYLES	1754.99	
PTS-HAXWHA0007	4	ELECTRONIC WIRING HARNESS	66.99	
PTS-HAXFOR1930	5	O-RINGS	12.99	
PTS-HAXNIP1930	6	FLANGE NIPPLE(SET 2)	57.99	

**HAYWARD - HEATER PARTS - H-SERIES ELECTRONIC ED2  
H150ED2C, H150PED2C, H250ED2C, H250PED2C CONTINUED**

ITEM PART NUMBER	KEY	PRINTED DESCRIPTION	RETAIL PRICE	QTY TO ORDER
PTS-HAXNUT1930	7	FLANGE NUT(SET 2)	33.99	
PTS-HAXFCT1930	8	FLOW CONTROL THERMOSTAT	81.99	
PTS-HAXBPK1932	9	BYPASS KIT,ED2&IDL>9/04 ED1&MILL>10/00	70.99	
PTS-HAXHLI1930	10	HI-LIMIT 135'F	51.99	
PTS-HMXHLI2932	11	IMMER. HI LIMIT REAR 160'	51.99	
PTS-HAXDRV1930	12	DRAIN VALVE ASSEMBLY	67.99	
PTS-HAXPSA1930	13,21	WATER PRESSURE SWITCH ASY	87.99	
PTS-IDXLTER1930	14	THERMISTOR	55.99	
PTS-HAXFHD1931	15	FRONT HEADER ONLY	379.99	
PTS-HAXTLK1930	17	TEMPERATURE LIMITERS KIT	134.99	
PTS-IDXLTMB1931	18	TERMINAL BLOCK - 6 POLE	34.99	
PTS-CHXTRF1930	20	TRANSFORMER "ALL"	78.99	
PTS-HAXCPA1932	22	CONTROL BEZEL ASSY, ED2-NEW W/TIME DELAY	575.99	
PTS-HAXCPA3153	23	CONTROL PANEL ASY 150 ED2 REV.B CONTRL BOARD	379.99	
PTS-HAXCPA3203	23	CONTROL PANEL ASY 200 ED2 REV.B CONTRL BOARD	391.99	
PTS-HAXCPA3253	23	CONTROL PANEL ASY 250 ED2 REV.B CONTRL BOARD	575.99	
PTS-HAXCPA3353	23	CONTROL PANEL ASY 350 ED2 REV.B CONTRL BOARD	426.99	
PTS-HAXCPA3353	23	CONTROL PANEL ASY 350 ED2 REV.B CONTRL BOARD	426.99	
PTS-HAXCPA3403	23	CONTROL PANEL ASY 400 ED2 REV.B CONTRL BOARD	437.99	
PTS-HAXGSV0004	24	GAS VALVE 150-400-LP	586.99	
PTS-HAXGSV0005	24	GAS VALVE 150-400-NAT-DS	586.99	
PTS-HAXMAN1250	25	MANIFOLD "H" 250 (LIMITED STOCK)	206.99	
PTS-HAXBRN1930	26	MAIN BURNER -H SERIES	126.99	
PTS-HAXBON1930	27	BURNER ORIFACE	13.99	
PTS-HAXBON1931	27	BURNER ORIFACE	13.99	
PTS-HAXIGN1931	28	IGNITOR/BRACKET ASSY	97.99	
PTS-HAXHOR1930	29	HEADER O-RING	15.99	
PTS-HAXCIA1930	30	CORNER INSERT ASSY	22.99	
PTS-IDXLFHA1930	31	FRONT HEADER ASSEMBLY	291.99	
PTS-HAXWHA0008	N/S	WIRE HARNESS ASSY - "ED2"	123.99	



# HAYWARD - HEATER PARTS - H-SERIES MILLIVOLT ED1 H1501C, H150P1C, H2501C, H250P1C



ITEM PART NUMBER	KEY	PRINTED DESCRIPTION	RETAIL PRICE	QTY TO ORDER
PTS-HAXDHO1930	1	DHO INSERT	62.99	
PTS-DHI150	2	"H"150 INDOOR DRAFT HOOD	217.99	
PTS-DHI200	2	"H"200 INDOOR DRAFT HOOD	217.99	
PTS-DHI250	2	"H"250 INDOOR DRAFT HOOD	217.99	
PTS-HWS150	2	"H"150 OUTDOOR DRAFT HOOD -HIGH WIND-	162.99	
PTS-HWS200	2	H200 OUTDOOR DRAFT HOOD-HIGH WIND- (LIMITED STOCK)	165.99	
PTS-HWS250	2	"H"250 OUTDOOR DRAFT HOOD -HIGH WIND-	162.99	
PTS-HAXHXA1153	3	HEAT EXCHGR ASY H150 ALL STYLES	1123.99	
PTS-HAXHXA1203	3	HEAT EXCHGR ASY H200 ALL STYLES	1214.99	
PTS-HAXHXA1253	3	HEAT EXCHGR ASY H250 ALL STYLES	1427.99	
PTS-HAXHXA1303	3	HEAT EXCHGR ASY H300 ALL STYLES	1469.99	
PTS-HAXHXA1353	3	HEAT EXCHGR ASY H350 ALL STYLES	1593.99	
PTS-HAXHXA1403	3	HEAT EXCHGR ASY H400 ALL STYLES	1754.99	
PTS-HAXWHA0006	4	INDUCED DRAFT WIRING HARNESS	66.99	
PTS-HAXWHA0003		WIRE HARNESS ASSY - "H" II REAR	62.99	

**HAYWARD - HEATER PARTS - H-SERIES MILLIVOLT ED1  
H1501C, H150P1C, H2501C, H250P1C CONTINUED**

ITEM PART NUMBER	KEY	PRINTED DESCRIPTION	RETAIL PRICE	QTY TO ORDER
PTS-HAXWHA0007		ELECTRONIC WIRING HARNESS	66.99	
PTS-HAXFOR1930	5	O-RINGS	12.99	
PTS-HAXNIP1930	6	FLANGE NIPPLE(SET 2)	57.99	
PTS-HAXNUT1930	7	FLANGE NUT(SET 2)	33.99	
PTS-HAXFCT1930	8	FLOW CONTROL THERMOSTAT	81.99	
PTS-CHXPLG1930	9	3/4" DRAIN PLUG CZ & HM2	23.99	
PTS-HAXBPK1931	10	BYPASS KIT,ED1&MILL<10/00 ID OLD STLYE	70.99	
PTS-HAXBPK1932		BYPASS KIT,ED2&IDL>9/04 ED1&MILL>10/00	70.99	
PTS-HAXHLI1930	11	HI-LIMIT 135'F	51.99	
PTS-HMXHLI2932	12	IMMER. HI LIMIT REAR 160'	51.99	
PTS-HAXDRV1930	13	DRAIN VALVE ASSEMBLY	67.99	
PTS-CHXPSA1930	14	PRESSURE SWITCH ADAPTER	14.99	
PTS-CHXTBW1930	15	THERM BULB WELL	22.99	
PTS-HAXTBW1930		THERMOSTAT BULB WELL, COTHERM	23.99	
PTS-HAXFHD1930	16	FRONT HEADER ONLY	237.99	
PTS-HAXFHD1931		FRONT HEADER ONLY	379.99	
PTS-HAXTLK1930	18	TEMPERATURE LIMITERS KIT	134.99	
PTS-HAXMOD1930	22	CONTROL MODULE	406.99	
PTS-CHXTRF1930	23	TRANSFORMER "ALL"	78.99	
PTS-HAXPSA1930	24	WATER PRESSURE SWITCH ASY	87.99	
PTS-HAXTST1930	25	THERMOSTAT ASSY	124.99	
PTS-HAXLDK1930	26	LED KIT	79.99	
PTS-CHXTSW1930	27	ON/OFF SWITCH CZ & HM2	19.99	
PTS-CHXTSW1931	27	3 WAY SWITCH CZ & HM2	18.99	
PTS-HAXGSV0001	29	GAS VALVE 150-400-NAT MV	549.99	
PTS-HAXGSV0003	29	GAS VALVE 150-400-PRO	549.99	
PTS-HAXGSV0004	29	GAS VALVE 150-400-LP	586.99	
PTS-HAXGSV0005	29	GAS VALVE 150-400-NAT-DS	586.99	
PTS-HAXMAN1250	30	MANIFOLD "H" 250 (LIMITED STOCK)	206.99	
PTS-HAXBON1930	31	MAIN BURNER -H SERIES	126.99	
PTS-HAXBON1930	32	BURNER ORIFACE	13.99	
PTS-HAXBON1931	32	BURNER ORIFACE	13.99	
PTS-HAXBOP1930	32	BURNER ORIFACE	13.99	
PTS-HAXIGN1931	33	IGNITOR/BRACKET ASSY	97.99	
PTS-HAXPLT1932	34	PILOT PRO MV H-SERIES	203.99	
PTS-HAXTRK1930	35	PILOT TUBE KIT	23.99	
PTS-HAXHOR1930	36	HEADER O-RING	15.99	

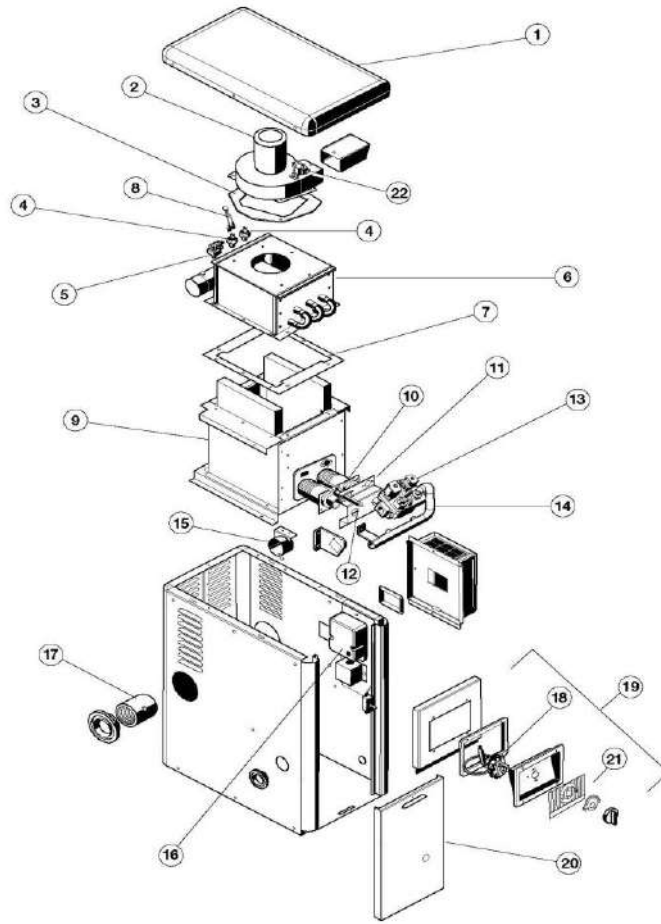
**HAYWARD - HEATER PARTS - H-SERIES MILLIVOLT ED1  
H1501C, H150P1C, H2501C, H250P1C CONTINUED**

ITEM PART NUMBER	KEY	PRINTED DESCRIPTION	RETAIL PRICE	QTY TO ORDER
PTS-HAXRHD1930	37	REAR HEADER ONLY	110.99	
PTS-HAXPLG1930	38	1/4" PLUG "H" SERIES (LIMITED STOCK)	13.99	
PTS-HAXCIA1930	39	CORNER INSERT ASSY	22.99	
PTS-HAXFHA1930	40	FRONT HEADER ASSY	538.99	
PTS-HAXFHA1931		FRONT HEADER ASSEMBLY	569.99	
PTS-FDXLGN1930	N/S	KIT-BONDING LUG & GROUND WIRE INSTALLATION	32.99	
PTS-HAXWHA0001	N/S	WIRE HARNESS ASSY - "H" MV FRONT	87.99	
PTS-CHXMSI1930	N/S	CLICKLITE MAN SPARK IGNITORCZ & HM2	61.99	
PTS-CHXGEN1930	N/S	PILOT GENERATOR ALL MV	78.99	

**HAYWARD - HEATER PARTS - H-SERIES H100 CONTINUED**

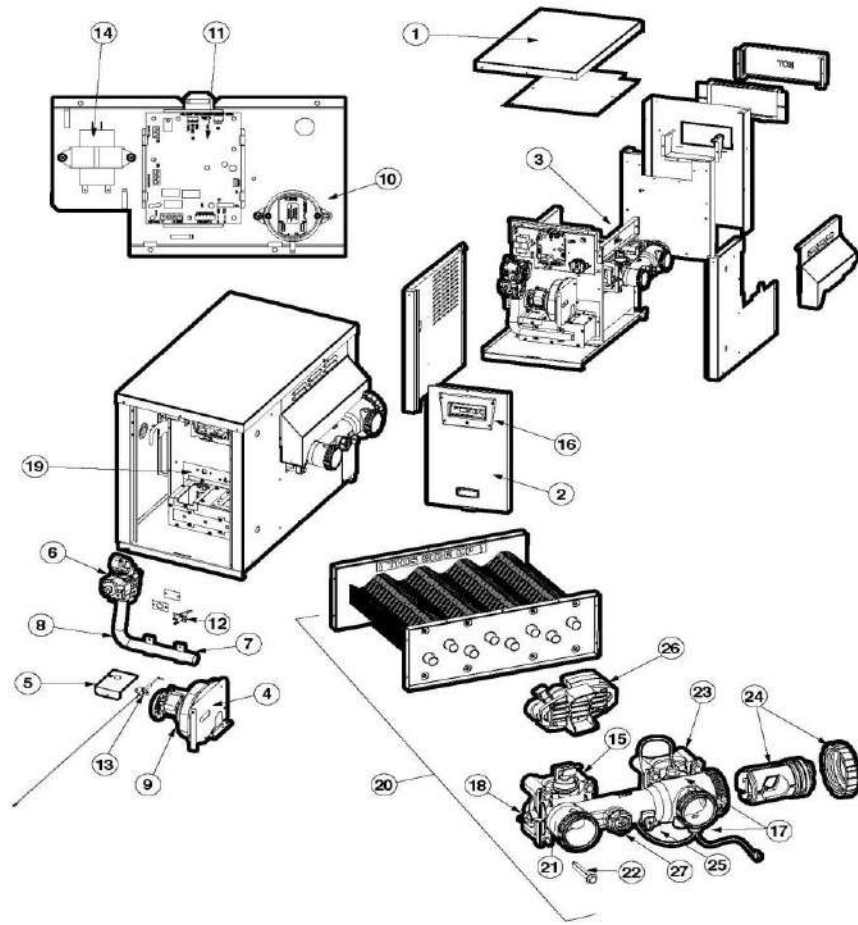
ITEM PART NUMBER	KEY	PRINTED DESCRIPTION	RETAIL PRICE	QTY TO ORDER
PTS-IDXAPS1930	14	AIR PRESSURE SWITCH	134.99	
PTS-IDXMOD1930	15	IGNITION MODULE	465.99	
PTS-IDXCPG1931	16	COUPLING 2"	34.99	
PTS-IDXTST1930	17	THERMOSTAT ID100	129.99	
PTS-IDXCPA1100	18	CONTROL PANEL ASSEMBLY,H100	200.99	
PTS-IDXFAD1101	19	FRONT ACCESS DOOR	116.99	
PTS-CHXTSW1930	20	ON/OFF SWITCH CZ & HM2	19.99	
PTS-IDXBLS1930	21	BLOWER SWITCH	87.99	
PTS-IDXBLS1931		KIT-ABG BLOWER SWITCH	87.99	

## HAYWARD - HEATER PARTS - H-SERIES H100



ITEM PART NUMBER	KEY	PRINTED DESCRIPTION	RETAIL PRICE	QTY TO ORDER
PTS-IDXBWR1936	1	KIT-ABG COMBUSTION BLOWER	467.99	
PTS-IDXBGL1930	2	BLOWER GASKET	20.99	
PTS-IDXBGL1931		KIT-BLOWER GASKET	20.99	
PTS-IDXHKL1930	3	HI LIMITS KIT	181.99	
PTS-CZXPRS1105	4	PRESSURE SWITCH	177.99	
PTS-IDXHXA1101	5	HEAT EXCHANGER ASSEMBLY	658.99	
PTS-IDXHXA1102		HEAT EXCHANGER ASSEMBLY	1111.99	
PTS-IDXGKT1930	6	HEX GASKET	38.99	
PTS-IDXWHA1931	7	WIRE HARNESS	38.99	
PTS-IDXBRG1930	8	BURNER GASKET	13.99	
PTS-IDXBNR1930	9	BURNER, NAT OR PRO	380.99	
PTS-IDXAGK1930	10	KIT-AIR/GAS ORIFICE,NA	87.99	
PTS-IDXAGK1931		KIT-AIR GAS ORIFICE,LP	87.99	
PTS-IDXIGN1930	11	IGNITOR	159.99	
PTS-IDXVAL1931	12	GAS VALVE 100-NAT/PRO	423.99	
PTS-IDXMAN1100	13	MANIFOLD	161.99	

# HAYWARD - HEATER PARTS - H-SERIES H135K BTU



ITEM PART NUMBER	KEY	PRINTED DESCRIPTION	RETAIL PRICE	QTY TO ORDER
PTS-FDXLFCS1931	3	FLUE COLLECTOR SIDE PANEL KIT W/ HIGH LIMIT	57.99	
PTS-FDXLGSV0001	6	GAS VALVE NAT. KIT FD	296.99	
PTS-FDXLGSV0002		GAS VALVE LP KIT FD	296.99	
PTS-FDXLGCK1135NP	8	CONVERSION KIT, NA TO LP, QUICK - CHANGE - 135KBTU HEATER	246.99	
PTS-FDXLGCK1135PN		CONVERSION KIT, LP TO NA, QUICK - CHANGE - 135KBTU HEATER	246.99	
PTS-FDXLBWR1930	9	COMBUSTION BLOWER KIT FD	272.99	
PTS-FDXLBVS1930	10	BLOWER VACUUM SWITCH	36.99	
PTS-FDXLICB1930	11	INTGR. CTRL. BRD. KIT FD	378.99	
PTS-FDXLIGN1930	12	IGNITOR KIT FD	96.99	
PTS-IDXLFLS1930	13	FLAME SENSOR	93.99	
PTS-IDXLTRF1135	14	KIT-ABG SERIES TRANSFORMER 120V-24 VAC	36.99	
PTS-FDXLWPS1930	15	PRESSURE SWITCH, FD HEATERS	38.99	
PTS-IDXLBKP1135	16	KIT-BEZEL & KEYPAD ASSY ABG135	198.99	
PTS-FDXLHLI1930	17	HIGH LIMIT KIT, FD HEATERS	51.99	
PTS-FDXLTER1930	18	THERMISTOR, FD HEATER	55.99	
PTS-FDXLGSK1934	19	CC FRNT/AIR BOX GASKET KIT FD	72.99	

## HAYWARD - HEATER PARTS - H-SERIES H135K BTU CONTINUED

ITEM PART NUMBER	KEY	PRINTED DESCRIPTION	RETAIL PRICE	QTY TO ORDER
PTS-FDXLHXA1150	20	HEAT EXCH ASSY - H150FD	1312.99	
PTS-FDXLFHA1930	21	HEADER ASSY, FD HEATERS	283.99	
PTS-FDXLHDW1930	22	HEADER HARDWARE KIT, FD	38.99	
PTS-FDXLHMB1930	23	KIT-HEADER MOUNTING BASE	59.99	
PTS-FDXLBKP1930	24	BEZEL & KEYPAD ASSY KIT FD	95.99	
PTS-SPX4000FG	25	DRAIN PLUG W/GASKET	6.99	
PTS-FDXLPRM1930	26	KIT-POLYMER RETURN MANIFOLD	74.99	
PTS-CHXRLV1930	N/S	MALE RELIEF VALVE	78.99	
PTS-FDXLGSK1933	N/S	RETURN SIDE T-SIDE INSUL. KIT (LIMITED STOCK)	36.99	
PTS-FDXLBRN1931	N/S	FD BURNER TUBE	54.99	
PTS-FDXLFOR1930	N/S	HEADER O-RING KIT, FD HTR	27.99	
PTS-FDXLEGL1930	N/S	EXHAUST GAS TEMPERATURE LIMIT (ONE-USE)	23.99	
PTS-IDXLWHA1135	N/S	KIT-WIRING HARNESS ASSY ABG135K	93.99	
PTS-FDXLFSKC30	N/S	KIT, BULK 3.0 AMP BLADE FUSE	23.99	
PTS-IDXLUKT1135	N/S	KIT-UNION, ABG135K	63.99	