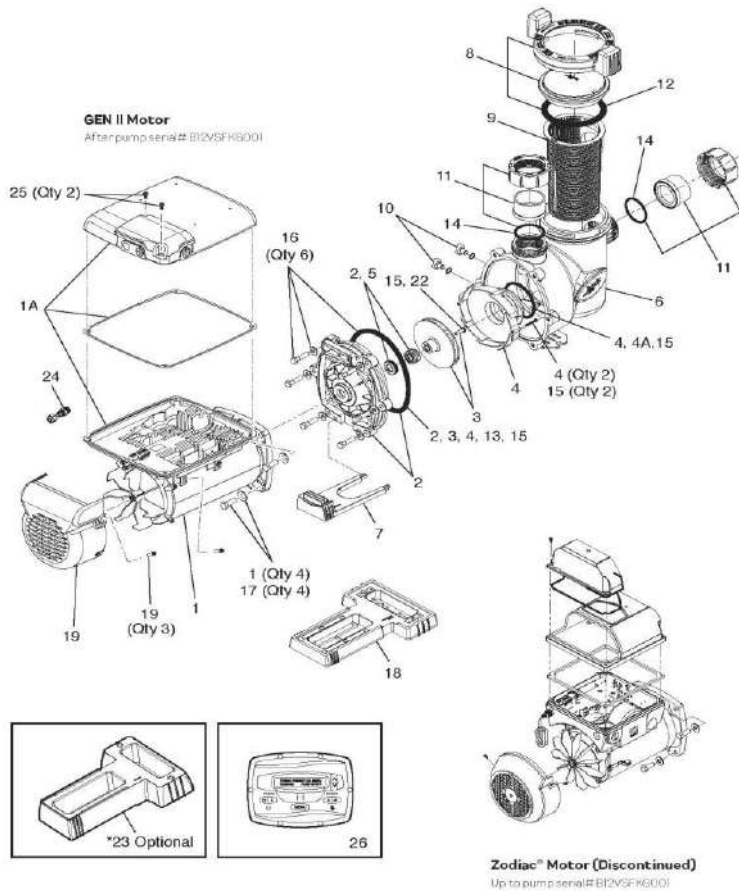


**JANDY/ZODIAC - PUMP PARTS - VS FLOPRO SERIES FHP2.0
(2011-PRESENT) VSFHP270AUT, VSFHP270JEP**

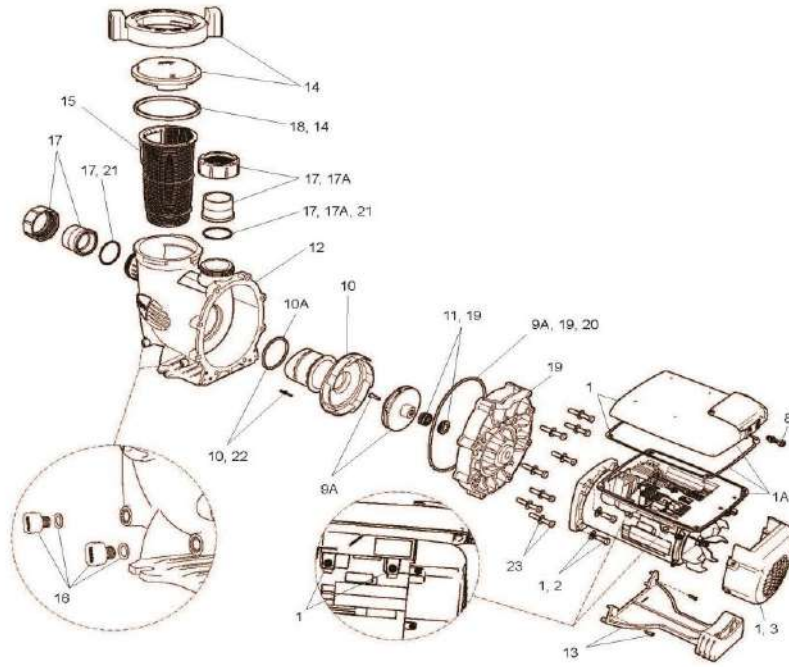


ITEM PART NUMBER	KEY	PRINTED DESCRIPTION	RETAIL PRICE	QTY TO ORDER
PTS-R0562201	1	Jep2.0, Gen II, Motor Kit	2228.99	
PTS-R0688600	1A	Variable Speed Drive,2.2-2.7HP (Gen-II), Non-SVRS	1254.99	
PTS-R0479500	2	Backplate Kit W/Hardware & Mech Seals, Fhpm	93.99	
PTS-R0479605	3	Impeller & Screw W/O-Ring, Fhpm 2.5	55.99	
PTS-R0479701	4	Diffuser W/O-Ring & Hardware, Single & 2-Speed 1.5, 2, 2.5hp Fhpm	47.99	
PTS-R0622000	4A	DIFFUSER O-RING, REPLACEMENT KIT	5.99	
PTS-R0479400	5	Mechanical Seal, Carbon & Ceramic	24.99	
PTS-R0479800	6	Pump Body, Fhpm	223.99	
PTS-R0479900	7	Motor Mounting Foot, Fhpm	22.99	
PTS-R0480000	8	Lid & Locking Ring Assy, Fhpm	63.99	
PTS-R0480100	9	Filter Basket, Fhpm	22.99	
PTS-R0446000	10	Heat Exchanger Drain Plug (2) ,Polymer, Model All, LRZE/LRZM, FHP, VS-FHP	8.99	
PTS-R0327301	11	Includes: 2" X 2" Tailpiece; Tailpiece O-Ring; Union Nut Kit	29.99	
PTS-R0480200	12	Lid O-Ring, Fhpm	10.99	
PTS-R0480300	13	Backplate O-Ring, Fhpm	9.99	
PTS-R0337600	14	O-rings, Header Coupling LX	6.99	

**JANDY/ZODIAC - PUMP PARTS - VS FLOPRO SERIES FHP2.0
(2011-PRESENT) VSFHP270AUT, VSFHP270JEP CONTINUED**

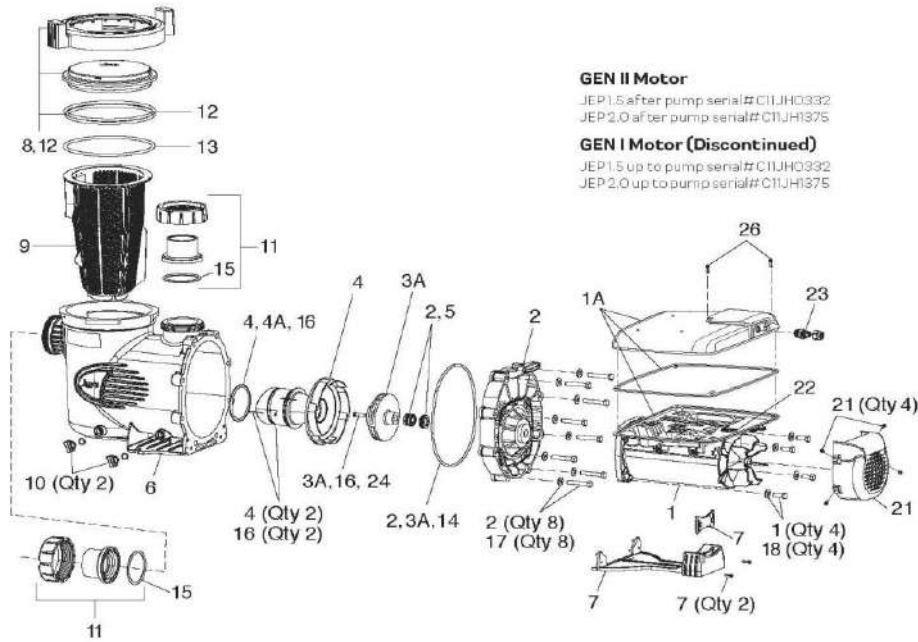
ITEM PART NUMBER	KEY	PRINTED DESCRIPTION	RETAIL PRICE	QTY TO ORDER
PTS-R0480400	15	Diffuser & Impeller Hardware & O-Ring Kit, Fhpm	29.99	
PTS-R0480500	16	Backplate Hardware	43.99	
PTS-R0446700	17	Motor Hardware, Shp, Php, Mhp, Fhp	31.99	
PTS-R0486700	18	Pump Base Kit Fhpm	38.99	
PTS-R0562400	19	Fan Cover, 1-3Hp Jep, Gen II	37.99	
PTS-R0515400	22	Screw W/ O-Ring, Self-Sealing	8.99	
PTS-R0546400	23	base spacer, FHP, VSFHP, large	33.99	
PTS-R0501100	24	Data Cable Bulkhead Fitting	13.99	
PTS-R0562600	25	SCREW, ELECTRIC BOX, 1-3HP, GEN II JEP	11.99	
PTS-JEPR	26	ePump Remote Controller	301.99	
PAC-IQPUMP01	N/S	VS Mobile Pump Interface	149.99	

**JANDY/ZODIAC - PUMP PARTS - VS PLUSHP SERIES (2014-PRESENT)
VSPHP270AUT, VSPHP270JEP**



ITEM PART NUMBER	KEY	PRINTED DESCRIPTION	RETAIL PRICE	QTY TO ORDER
PTS-R0562201	1	Jep2.0, Gen II, Motor Kit	2228.99	
PTS-R0688600	1A	Variable Speed Drive,2.2-2.7HP (Gen-II), Non-SVRS	1254.99	
PTS-R0446700	2	Motor Hardware, Shp, Php, Mhp, Fhp	31.99	
PTS-R0562400	3	Fan Cover, 1-3Hp Jep, Gen II	37.99	
PTS-R0501100	8	Data Cable Bulkhead Fitting	13.99	
PTS-R0807200	9A	Impeller Replacement Kit - VSSHP270, VSPHP270, SHPF/PHPF2.0HP, SHPM/PHPM2.5HP	54.99	
PTS-R0445400	10	Diffuser, Shp, Php, Mhp	60.99	
PTS-R0622000	10A	DIFFUSER O-RING, REPLACEMENT KIT	5.99	
PTS-R0479400	11	Mechanical Seal, Carbon & Ceramic	24.99	
PTS-R0448700	12	Body, Pump, Phpf/Phpm	326.99	
PTS-R0445700	13	Motor Mounting Foot Assembly, Shp, Php, Mhp	49.99	
PTS-R0448800	14	Locking Ring, Phpf/Phpm, Mhpm	64.99	
PTS-R0448900	15	Filter Basket, Phpf/Phpm, Mhpm	19.99	
PTS-R0446000	16	Heat Exchanger Drain Plug (2) ,Polymer, Model All, LRZE/LRZM, FHP, VS-FHP	8.99	
PTS-R0449000	17	Tailpiece W/ Union Nut (Set Of 2), Polymer, All	51.99	
PTS-R0522900	17A	Universal Half Union set of 1	29.99	
PTS-R0449100	18	O-Ring, Lid, Phpf/Phpm, Mhpm	19.99	
PTS-R0445200	19	Backplate, Shp, Php, Mpm	187.99	
PTS-R0446300	20	O-Ring, Backplate Shp, Php, Mhp	13.99	
PTS-R0449200	21	O-Ring, Tail Piece, Phpf/Phpm, Mhpm	6.99	
PTS-R0446500	22	Diffuser/Impeller Hardware, Shp, Php, Mhp	29.99	
PTS-R0446600	23	Backplate Hardware, Shp, Php, Mhp	154.99	

JANDY/ZODIAC - PUMP PARTS - EPUMP (JEP) VARIABLE SPEED PUMP (2008 - PRESENT) JEP1.5, JEP2.0, VSSH220AUT, VSSH270AUT



GEN II Motor

JEP1.5 after pump serial# C11JH0332
JEP2.0 after pump serial# C11JH375

GEN I Motor (Discontinued)

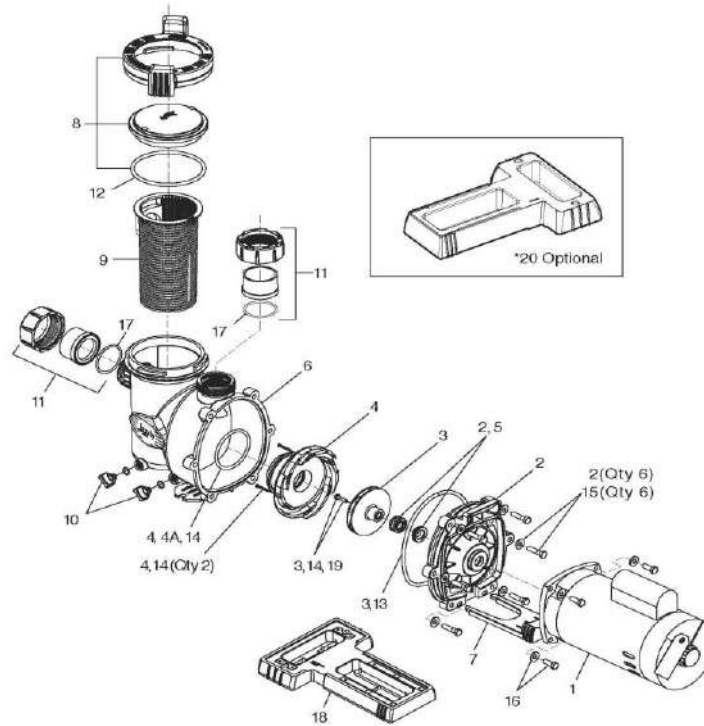
JEP1.5 up to pump serial# C11JH0332
JEP2.0 up to pump serial# C11JH375

ITEM PART NUMBER	KEY	PRINTED DESCRIPTION	RETAIL PRICE	QTY TO ORDER
PTS-R0562201	1	Jep2.0, Gen II, Motor Kit	2228.99	
PTS-R0688600	1A	Variable Speed Drive, 2.2-2.7HP (Gen-II), Non-SVRS	1254.99	
PTS-R0562202	1	Jep1.5, Gen II, Motor Kit	2228.99	
PTS-R0445200	2	Backplate, Shp, Php, Mpm	187.99	
PTS-R0807200	3A	Impeller Replacement Kit - VSSHP270, VSPHP270, SHPF/PHPF2.0HP, SHPM/PHPM2.5HP	54.99	
PTS-R0807201	3A	Impeller Replacement Kit - VSSH220, SHPF/PHPF1.5HP, SHPM/PHPM2.0HP	54.99	
PTS-R0445400	4	Diffuser, Shp, Php, Mhp	60.99	
PTS-R0622000	4A	DIFFUSER O-RING, REPLACEMENT KIT	5.99	
PTS-R0479400	5	Mechanical Seal, Carbon & Ceramic	24.99	
PTS-R0445601	6	Body, Pump, Shpf/Shpm	373.99	
PTS-R0445700	7	Motor Mounting Foot Assembly, Shp, Php, Mhp	49.99	
PTS-R0445800	8	Locking Ring Shpf/Shpm	44.99	
PTS-R0445900	9	Filter Basket Shpf/Shpm	25.99	
PTS-R0446000	10	Heat Exchanger Drain Plug (2) ,Polymer, Model All, LRZE/LRZM, FHP, VS-FHP	8.99	
PTS-R0446101	11	Tail Piece (2" By 2 1/2") Shpf/Shpm1.75-2.5	55.99	
PTS-R0446200	12	O-Ring, Lid Shpf/Shpm	27.99	
PTS-R0479000	13	Blue Pressure Test O-Ring All	12.99	
PTS-R0446300	14	O-Ring, Backplate Shp, Php, Mhp	13.99	
PTS-R0446400	15	O-Ring, Tail Piece Shpf/Shpm	8.99	
PTS-R0446500	16	Diffuser/Impeller Hardware, Shp, Php, Mhp	29.99	
PTS-R0446600	17	Backplate Hardware, Shp, Php, Mhp	154.99	

**JANDY/ZODIAC - PUMP PARTS - EPUMP (JEP) VARIABLE SPEED PUMP
(2008 - PRESENT) JEP1.5, JEP2.0, VSSH220AUT, VSSH270AUT
CONTINUED**

ITEM PART NUMBER	KEY	PRINTED DESCRIPTION	RETAIL PRICE	QTY TO ORDER
PTS-R0446700	18	Motor Hardware, Shp, Php, Mhp, Fhp	31.99	
PTS-R0562400	21	Fan Cover, 1-3Hp Jep, Gen II	37.99	
PTS-6609	22	Terminal Bar Connector, 4 Pin Red, AquaLink RS	49.99	
PTS-R0501100	23	Data Cable Bulkhead Fitting	13.99	
PTS-R0515400	24	Screw W/ O-Ring, Self-Sealing	8.99	
PTS-R0562600	26	SCREW, ELECTRIC BOX, 1-3HP, GEN II JEP	11.99	
EPUMP REMOTE CONTROLLER				
PTS-R3009601	N/S	USER INTERFACE, REMOTE MOUNTING, JEP-R, REPLACEMENT KIT	111.99	
PTS-R0472300	N/S	Temperature Control Gasket, All	9.99	

JANDY/ZODIAC - PUMP PARTS - FLOPRO (FHPM) SERIES (2008 - PRESENT)

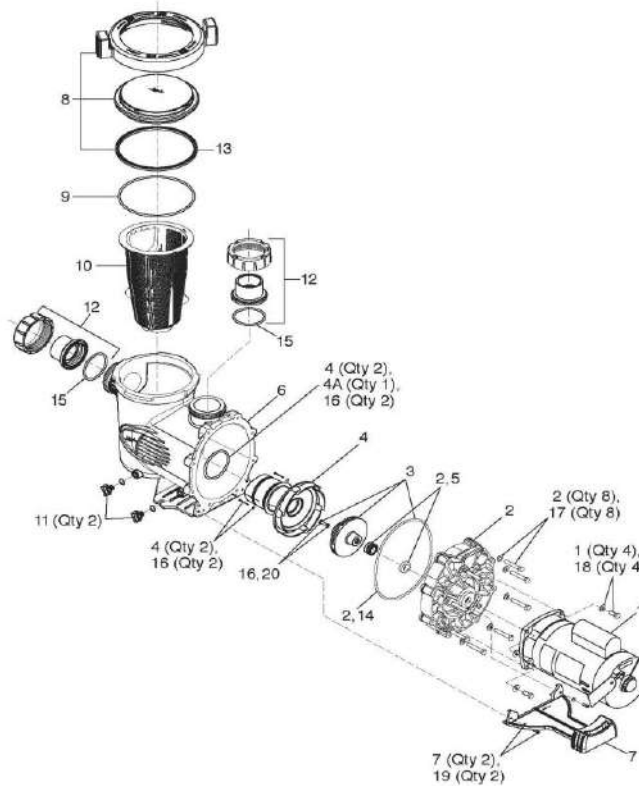


ITEM PART NUMBER	KEY	PRINTED DESCRIPTION	RETAIL PRICE	QTY TO ORDER
PTS-R0479310	1	Single Speed Motor & Hardware, .75hp, Fhpm.75	467.99	
PTS-R0479311	1	Single Speed Motor & Hardware, 1.0hp, Fhpm1.0	518.99	
PTS-R0479312	1	Single Speed Motor & Hardware, 1.5hp, Fhpm1.5	579.99	
PTS-R0479313	1	Single Speed Motor & Hardware, 2.0hp, Fhpm2.0	755.99	
PTS-R0479314	1	Single Speed Motor & Hardware, 2.5hp, Fhpm2.5	835.99	
PTS-R0479306	1	2 Speed Motor & Hardware, 1.0hp, Fhpm1.0	657.99	
PTS-R0479307	1	2 Speed Motor & Hardware, 2.0 Hp, Fhpm2.0	797.99	
PTS-R0479308	1	2 Speed Motor & Hardware, 2.5 Hp, Fhpm2.5	969.99	
PTS-R0479500	2	Backplate Kit W/Hardware & Mech Seals, Fhpm	93.99	
PTS-R0479601	3	Impeller & Screw W/O-Ring, Fhpm .75	55.99	
PTS-R0479602	3	Impeller & Screw W/O-Ring Fhpm 1.0 & 1.0-2	55.99	
PTS-R0479603	3	Impeller & Screw W/O-Ring, Fhpm 1.5 & 1.5-2	55.99	
PTS-R0479604	3	Impeller & Screw W/O-Ring, Fhpm 2.0 & 2.0-2	55.99	
PTS-R0479605	3	Impeller & Screw W/O-Ring, Fhpm 2.5	55.99	
PTS-R0479701	4	Diffuser W/O-Ring & Hardware, Single & 2-Speed 1.5, 2, 2.5hp Fhpm	47.99	
PTS-R0622000	4A	DIFFUSER O-RING, REPLACEMENT KIT	5.99	
PTS-R0479702	4	Diffuser W/O-Ring & Hardware, Single & 2-Speed .75, 1.0hp Fhpm	47.99	
PTS-R0479400	5	Mechanical Seal, Carbon & Ceramic	24.99	
PTS-R0479800	6	Pump Body, Fhpm	223.99	
PTS-R0479900	7	Motor Mounting Foot, Fhpm	22.99	

**JANDY/ZODIAC - PUMP PARTS - FLOPRO (FHPM) SERIES
(2008 - PRESENT) CONTINUED**

ITEM PART NUMBER	KEY	PRINTED DESCRIPTION	RETAIL PRICE	QTY TO ORDER
PTS-R0480000	8	Lid & Locking Ring Assy, Fhpm	63.99	
PTS-R0480100	9	Filter Basket, Fhpm	22.99	
PTS-R0446000	10	Heat Exchanger Drain Plug (2) ,Polymer, Model All, LRZE/LRZM, FHP, VS-FHP	8.99	
PTS-R0327301	11	Includes: 2" X 2" Tailpiece; Tailpiece O-Ring; Union Nut Kit	29.99	
PTS-R0480200	12	Lid O-Ring, Fhpm	10.99	
PTS-R0480300	13	Backplate O-Ring, Fhpm	9.99	
PTS-R0480400	14	Diffuser & Impeller Hardware & O-Ring Kit, Fhpm	29.99	
PTS-R0480500	15	Backplate Hardware	43.99	
PTS-R0446700	16	Motor Hardware, Shp, Php, Mhp, Fhp	31.99	
PTS-R0337600	17	O-rings, Header Coupling LX	6.99	
PTS-R0486700	18	Pump Base Kit Fhpm	38.99	
PTS-R0515400	19	Screw W/ O-Ring, Self-Sealing	8.99	
PTS-R0546400	20	base spacer, FHP, VSFHP, large	33.99	

JANDY/ZODIAC - PUMP PARTS - STEALTH (SHPF/SHPM) SERIES PUMP (2008 - PRESENT)

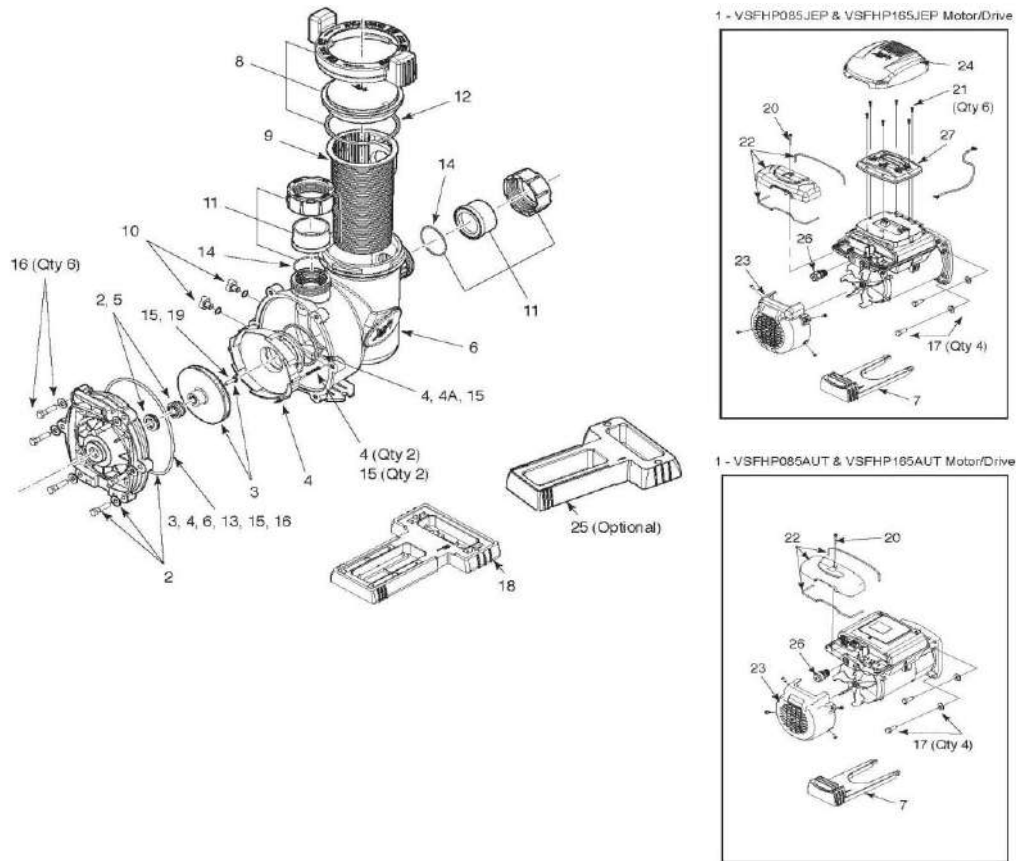


ITEM PART NUMBER	KEY	PRINTED DESCRIPTION	RETAIL PRICE	QTY TO ORDER
PTS-R0445105	1	Motor, Single-Speed Shpf3.0	1110.99	
PTS-R0479302	1	UPRATED MOTOR, SHPM1.0, REPLACEMENT KIT	528.99	
PTS-R0479303	1	UPRATED MOTOR, SHPM1.5, REPLACEMENT KIT	536.99	
PTS-R0479304	1	Motor, Single-Speed Shpm, 2.0 Hp	830.99	
PTS-R0479307	1	2 Speed Motor & Hardware, 2.0 Hp, Fhpm2.0	797.99	
PTS-R0479308	1	2 Speed Motor & Hardware, 2.5 Hp, Fhpm2.5	969.99	
PTS-R0479309	1	2 Speed Motor & Hardware, PHPF 2.0 HP	1044.99	
PTS-R0445113	1	Motor, 2-Speed Phpm1.5, Shpm1.5, Shpf1.0, Phpf1.0	831.99	
PTS-R0445106	1	Motor, 2-Speed Shpm2.0, Phpm2.0, Shpf1.5, Phpf1.5	969.99	
PTS-R0445107	1	Motor, 2-Speed Shpm2.5, Phpm2.5, Shpf2.0, Phpf2.0	1103.99	
PTS-R0445200	2	Backplate, Shp, Php, Mpm	187.99	
PTS-R0445201	2	Backplate Kit Withhardware, O-ring And Mech seals, ,SHPF/SHPM/SWF SHP, JEP, PHP, SWF, WFTR	212.99	
PTS-R0807204	3	Impeller Replacement Kit - SHPF/PHPF.5HP, SHPM/PHPM.75HP	54.99	
PTS-R0807203	3	Impeller Replacement Kit - SHPF/PHPF.75HP, SHPM/PHPM1.0HP	54.99	
PTS-R0807202	3	Impeller Replacement Kit - SHPF/PHPF1.0HP, SHPM/PHPM1.5HP	54.99	
PTS-R0807201	3	Impeller Replacement Kit - VSSH220, SHPF/PHPF1.5HP, SHPM/PHPM2.0HP	54.99	
PTS-R0807200	3	Impeller Replacement Kit - VSSH270, VSPHP270, SHPF/PHPF2.0HP, SHPM/PHPM2.5HP	54.99	
PTS-R0807205	3	Impeller Replacement Kit - SHPF 3.0HP	54.99	

**JANDY/ZODIAC - PUMP PARTS - STEALTH (SHPF/SHPM) SERIES PUMP
(2008 - PRESENT) CONTINUED**

ITEM PART NUMBER	KEY	PRINTED DESCRIPTION	RETAIL PRICE	QTY TO ORDER
PTS-R0445400	4	Diffuser, Shp, Php, Mhp	60.99	
PTS-R0445401	4	Diffuser With O-ring And Hardware SWF125/SWF185/SHPF5.0	61.99	
PTS-R0622000	4A	DIFFUSER O-RING, REPLACEMENT KIT	5.99	
PTS-R0479400	5	Mechanical Seal, Carbon & Ceramic	24.99	
PTS-R0445500	5	Mechanical Seal, Carbon, Shp, Php, Mhp	25.99	
PTS-R0445601	6	Body, Pump, Shpf/Shpm	373.99	
PTS-R0445700	7	Motor Mounting Foot Assembly, Shp, Php, Mhp	49.99	
PTS-R0445800	8	Locking Ring Shpf/Shpm	44.99	
PTS-R0479000	9	Blue Pressure Test O-Ring All	12.99	
PTS-R0445900	10	Filter Basket Shpf/Shpm	25.99	
PTS-R0446000	11	Heat Exchanger Drain Plug (2) ,Polymer, Model All, LRZE/LRZM, FHP, VS-FHP	8.99	
PTS-R0446101	12	Tail Piece (2" By 2½") Shpf/Shpm1.75-2.5	55.99	
PTS-R0446102	12	Tail Piece (2½" By 3") Shpm3.0	52.99	
PTS-R0446200	13	O-Ring, Lid Shpf/Shpm	27.99	
PTS-R0446300	14	O-Ring, Backplate Shp, Php, Mhp	13.99	
PTS-R0446400	15	O-Ring, Tail Piece Shpf/Shpm	8.99	
PTS-R0446500	16	Diffuser/Impeller Hardware, Shp, Php, Mhp	29.99	
PTS-R0446600	17	Backplate Hardware, Shp, Php, Mhp	154.99	
PTS-R0446700	18	Motor Hardware, Shp, Php, Mhp, Fhp	31.99	
PTS-R0515400	20	Screw W/ O-Ring, Self-Sealing	8.99	

**JANDY/ZODIAC - PUMP PARTS - VS FLOPRO SERIES (2013 - PRESENT)
VSFHPO85AUT, VSFHPO85JEP, VS-FHP1.0, VSFHP165AUT, VSFHP165JEP**



ITEM PART NUMBER	KEY	PRINTED DESCRIPTION	RETAIL PRICE	QTY TO ORDER
PTS-R0856100	1	Jandy Motor/Drive, 0.85HP VSFHP085JEP with on-board JEP controller	1654.99	
PTS-R0856000	1	Jandy Motor/Drive, 0.85HP VSFHP085AUT w/o controller	1532.99	
PTS-R0571000	1	Motor, Drive, VS-FHP1.0	1687.99	
PTS-R0670400	1	Jandy Pro Series Motor, Drive, VSFHP165AUT	1510.99	
PTS-R0479500	2	Backplate Kit W/Hardware & Mech Seals, Fhpm	93.99	
PTS-R0479602	3	Impeller & Screw W/O-Ring Fhpm 1.0 & 1.0-2	55.99	
PTS-R0479603	3	Impeller & Screw W/O-Ring, Fhpm 1.5 & 1.5-2	55.99	
PTS-R0479702	4	Diffuser W/O-Ring & Hardware, Single & 2-Speed .75, 1.0hp Fhpm	47.99	
PTS-R0479701	4	Diffuser W/O-Ring & Hardware, Single & 2-Speed 1.5, 2, 2.5hp Fhpm	47.99	
PTS-R0622000	4A	DIFFUSER O-RING, REPLACEMENT KIT	5.99	
PTS-R0479400	5	Mechanical Seal, Carbon & Ceramic	24.99	
PTS-R0479800	6	Pump Body, Fhpm	223.99	
PTS-R0479902	7	Jandy Motor Mounting Foot, VSFHP085/165	25.99	
PTS-R0480000	8	Lid & Locking Ring Assy, Fhpm	63.99	
PTS-R0480100	9	Filter Basket, Fhpm	22.99	
PTS-R0446000	10	Heat Exchanger Drain Plug (2) ,Polymer, Model All, LRZE/LRZM, FHP, VS-FHP	8.99	

**JANDY/ZODIAC - PUMP PARTS - VS FLOPRO SERIES (2013 - PRESENT)
 VSFHP085AUT, VSFHP085JEP, VS-FHP1.0, VSFHP165AUT,
 VSFHP165JEP CONTINUED**

ITEM PART NUMBER	KEY	PRINTED DESCRIPTION	RETAIL PRICE	QTY TO ORDER
PTS-R0327301	11	Includes: 2" X 2" Tailpiece; Tailpiece O-Ring; Union Nut Kit	29.99	
PTS-R0480200	12	Lid O-Ring, Fhpm	10.99	
PTS-R0480300	13	Backplate O-Ring, Fhpm	9.99	
PTS-R0337600	14	O-rings, Header Coupling LX	6.99	
PTS-R0480400	15	Diffuser & Impeller Hardware & O-Ring Kit, Fhpm	29.99	
PTS-R0480500	16	Backplate Hardware	43.99	
PTS-R0446700	17	Motor Hardware, Shp, Php, Mhp, Fhp	31.99	
PTS-R0486700	18	Pump Base Kit Fhpm	38.99	
PTS-R0515400	19	Screw W/ O-Ring, Self-Sealing	318.99	
PTS-R0587600	20	Rear Access Cover Screw, VS-FHP1.0	11.99	
PTS-R0571600	21	UI Controller Screws, VS-FHP1.0	5.99	
PTS-R0571400	22	Access Cover, Gaskets, VS-FHP1.0	97.99	
PTS-R0571300	23	Fan Cover, VS-FHP1.0	318.99	
PTS-R0571500	24	Controller Cover, VS-FHP1.0	24.99	
PTS-R0546400	25	base spacer, FHP, VSFHP, large	33.99	
PTS-R0501101	26	Conduit Fitting, 1/2 NPT, VS-FHP1.0	10.99	
PTS-JEPR	27	ePump Remote Controller	301.99	
PAC-IQPUMP01	N/S	VS Mobile Pump Interface	149.99	