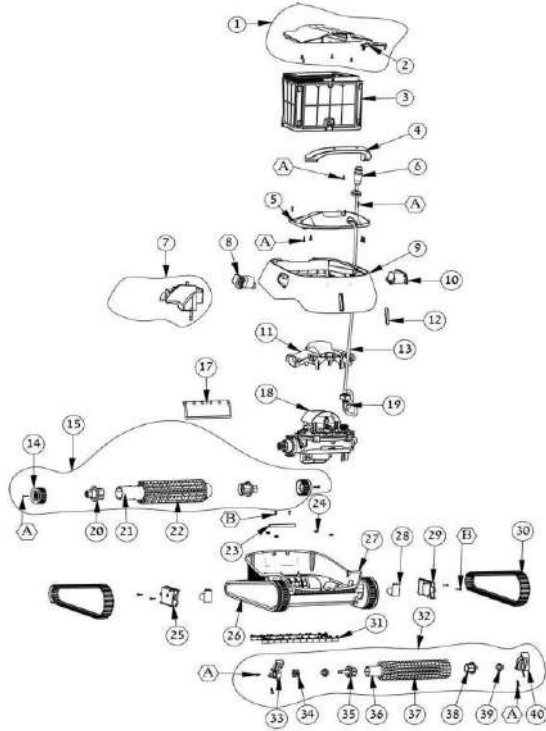


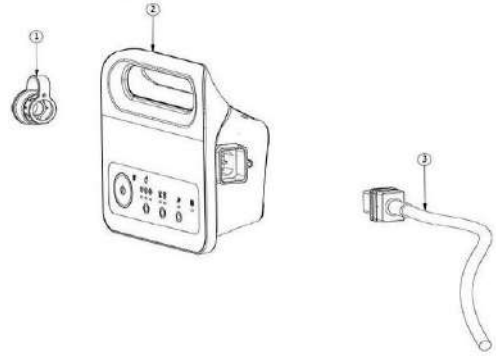
MAYTRONICS - CLEANER PARTS

MAYTRONICS - CLEANER PARTS - DOLPHIN PREMIUM

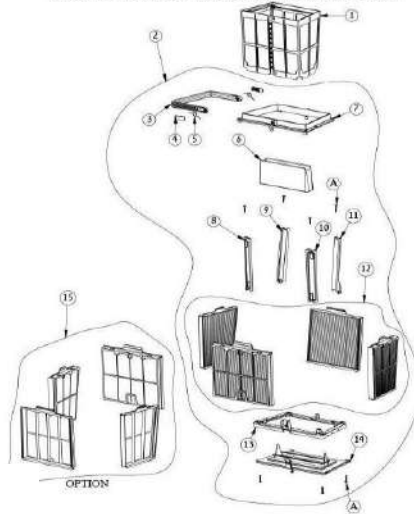
MAIN DRAWING



#001 (01) PS ADVANCED 115V US



#03 FILTERS S300I CATALOG KIT

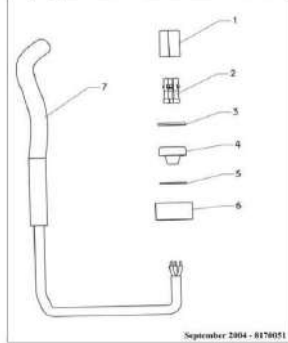


#13 CABLE AND SWV DIY 18M DYN M2I



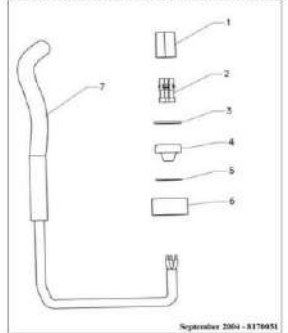
MAYTRONICS - CLEANER PARTS - DOLPHIN PREMIUM CONTINUED

#13 (01) RETROFIT FOR CABLE CON. 2015



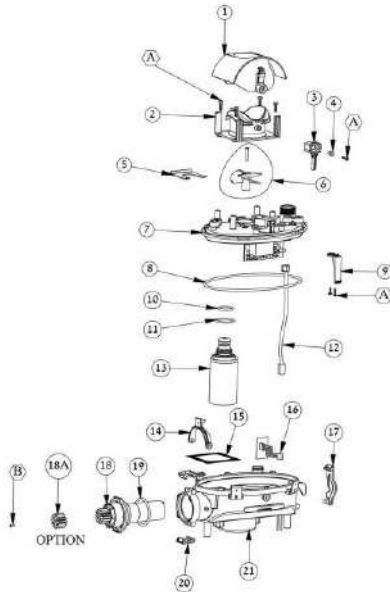
September 2004 - 8176051

#19 RETROFIT FOR CABLE CON. 2015

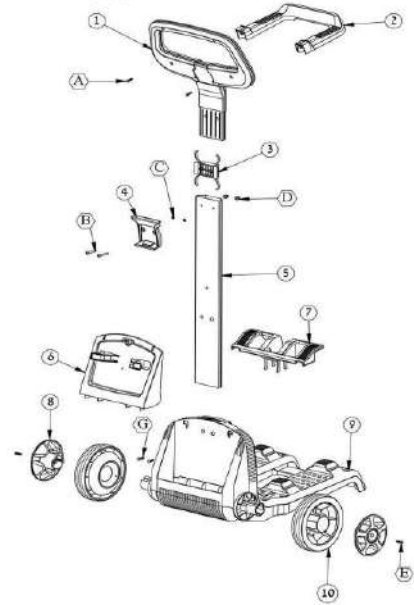


September 2004 - 8176051

#18 MOTOR UNIT CATALOG KIT S3001

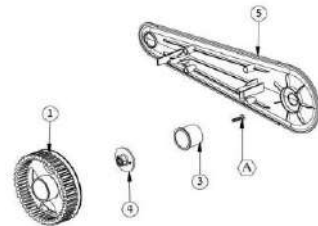


#001 (02) CADDY NS



#26 S300 DRIVE SYS CAT.KIT

LEFT SIDE



RIGHT SIDE



MAYTRONICS - CLEANER PARTS - DOLPHIN PREMIUM CONTINUED

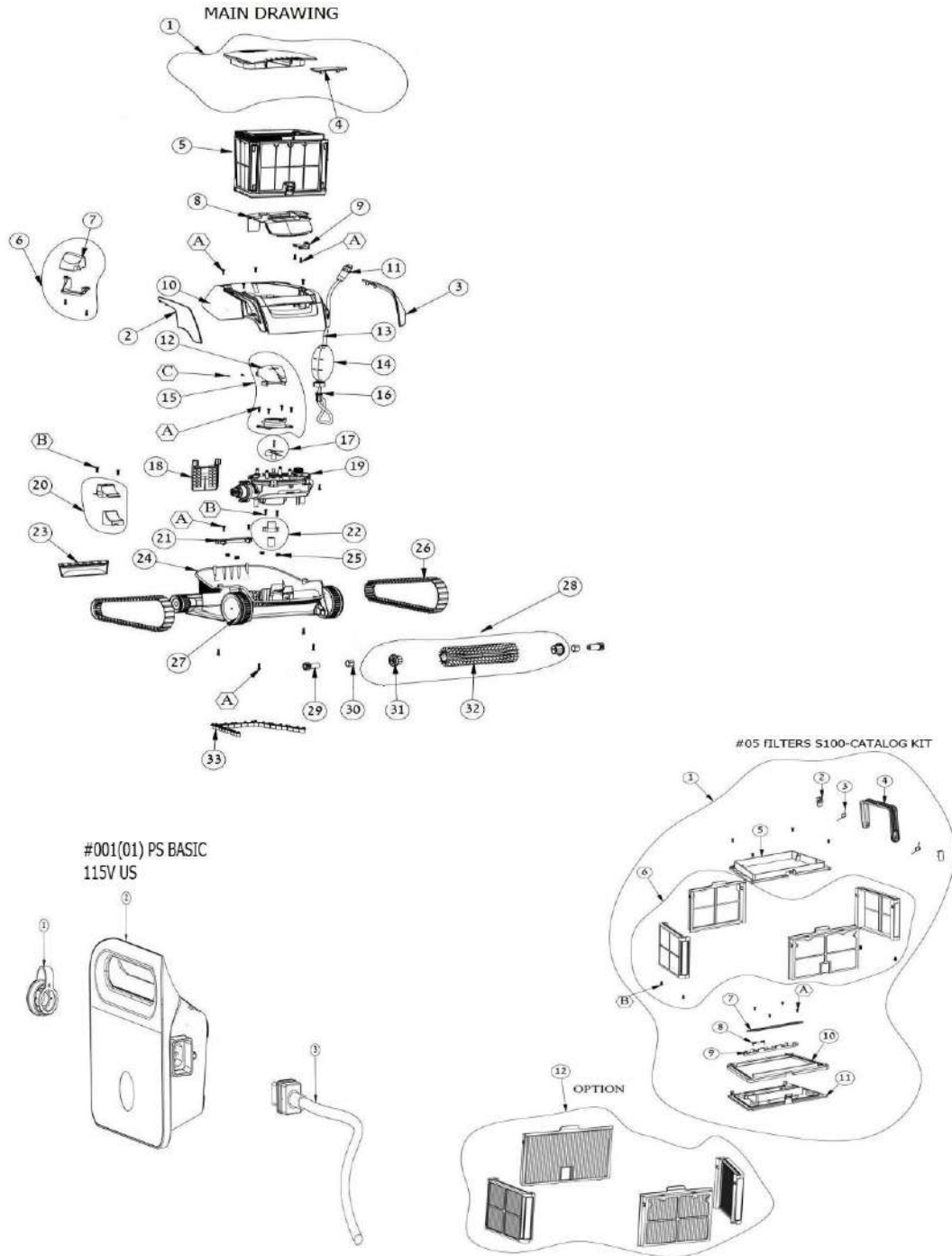
ITEM PART NUMBER	KEY	PRINTED DESCRIPTION	RETAIL PRICE	QTY TO ORDER
PTS-99956035USASSY	001(01)	POWER SUPPLY ADVANCED 115V US	501.99	
PTS-99996084ASSY	001(02)	CADDY UNIVERSAL US	253.99	
PTS-99831366	2	LID LATCH BLUE PROWLER 920	2.99	
PTS-9983106	03(01)	ROUGH FILTER M2I	89.99	
PTS-9991468ASSY	03(02)	ULTRA-FINE FILTER BASKET ASSY (LIMITED STOCK)	238.99	
PTS-9991457R1	03(02A)	SPRING FILTER ASSY FOR S300i	244.99	
PTS-9983108	03(03)	FILTER HANDLE S300i	4.99	
PTS-9983109	03(04)	FILTER HANDLE LATCH S300i	1.99	
PTS-3917029	03(05)	FILTER HANDLE SPRING S300i	7.99	
PTS-6350150	03(06)	NON RETURN FLAP S300i	4.99	
PTS-9983110	03(07)	FILTER TOP S300i	6.99	
PTS-9983162	03(08)	FILTER PILLAR 2	2.99	
PTS-9983164	03(09)	FILTER PILLAR 4	2.99	
PTS-9983161	03(10)	FILTER PILLAR 1	2.99	
PTS-9983163	03(11)	FILTER PILLAR 3	2.99	
PTS-9991467R4	03(12)	CARTRIDGE FILTERS KIT S300	140.99	
PTS-9983105	03(13)	FILTER BOTTOM S300i+OM	14.99	
PTS-9983107	03(14)	FILTER DOOR	9.99	
PTS-9991463R4	03(15)	SPRING FILTERS KIT S300	107.99	
PTS-3379450A	03(A)	FILTER SCREEN SCREW	1.99	
PTS-99831273	5	FRONT COVER CROSS OVER L.BLUE	9.99	
PTS-5000009	6	AMPHENOL PLUG	32.99	
PTS-9991733	7	FLOAT+HOUSING FOR S300i	2.99	
PTS-9991730	11	MANIFOLD ASSY	11.99	
PTS-9983167	12	LENS M2	2.99	
PTS-99958906DIY	13	CABLE (W/ SWIVEL, 3 WIRE) - 60 FEET	356.99	
PTS-9991271	13(01)	RETROFIT FOR CABLE CONN. 2015	20.99	
PTS-9983126	13(02)	GROMMET REF SMALL	1.99	
PTS-9995090	13(03)	CABLE FLOAT ASSY	11.99	
PTS-5000009	13(06)	AMPHENOL PLUG	32.99	
PTS-9983112	14	REAR WHEEL	2.99	
PTS-99955380ASSY	15	WHEEL ASSY Z PVC GREY	41.99	
PTS-9983102R1	17	RAPID DRAIN FLAP	7.99	
PTS-9995266	18(06)	IMPELLER BLACK+SCREW	15.99	
PTS-9983151	18(09)	PCB HOLDER S50/ACTIVE 10	0.99	
PTS-9983166	18(17)	MOTOR CLIP	1.99	
PTS-9991210ASSY	18(18)	DRIVE MOTOR	170.99	
PTS-9983142	18(18A)	GEAR FOR DRIVE MOTOR UNIT S50/ACTIVE 10	2.99	

MAYTRONICS - CLEANER PARTS - DOLPHIN PREMIUM CONTINUED

ITEM PART NUMBER	KEY	PRINTED DESCRIPTION	RETAIL PRICE	QTY TO ORDER
PTS-3379440A	18(A)	SCREW KA50X12 A2 WN1412 - MTIL	1.99	
PTS-9995388EX	18(MU2)	MOTOR UNIT S300i LED EX	767.99	
PTS-9991271	19	RETROFIT FOR CABLE CONN. 2015	20.99	
PTS-9985048	19(01)	CABLE CONN.THREE PIN	2.99	
PTS-1811404	19(02)	CABLE CONNECTOR	1.99	
PTS-9985027	19(03)	PLASTIC WASHER 7MM X 2MM	1.99	
PTS-3861002	19(04)	O-RING FOR CABLE CONN.	1.99	
PTS-9980025	19(05)	WASHER-INSIDE DIA. 13MM	1.99	
PTS-9980797	19(06)	NUT FOR MBU TERMINAL 2015	1.99	
PTS-9983120	20	BRUSH BEARING ADAPTOR S300i	1.99	
PTS-6101911	21	WHEEL TUBE FOR D.BASIC	2.99	
PTS-6101310R1	22	CUT BRUSH PVC DIAGNOSTIC GREY	15.99	
PTS-3726284	23	REAR WEIGHT FOR S300i	16.99	
PTS-3917022	24	FILTER SPRING FOR S LINE	2.99	
PTS-9983169	25	BYPASS COVER FOR S300i RIGHT	2.99	
PTS-9983111	26(01)	WHEEL GREY FRONT	4.99	
PTS-9983114	26(03)	WHEEL BUSHING 2	1.99	
PTS-9983121	26(04)	WHEEL DISK 2	1.99	
PTS-3379616A	26(A)	SCREW KA50X16 - MTIL	1.99	
PTS-9983100	27	CHASSIS S300i	66.99	
PTS-9991731ASSY	28	BYPASS DOOR ASSY	1.99	
PTS-9983168	29	BYPASS COVER S300i LEFT	2.99	
PTS-9983152	30	TRACK M1/M2 GREY	36.99	
PTS-9991732	31	RUBBER STRIPS KIT OF 10	7.99	
PTS-9995543ASSY	32	ACTIVE BRUSH ASSY GREY S300	32.99	
PTS-9983116	33	ACTIVE BRUSH BRACKET RIGHT S300	2.99	
PTS-9983123	34	ACTIVE BRUSH GEAR (Z12)	1.99	
PTS-9983119	35	ACTIVE BRUSH ADAPTOR S300i	1.99	
PTS-9983088	36	WHEEL TUBE FOR ACTIVE BRUSH PROWLER 920	7.99	
PTS-9983122	37	ACTIVE BRUSH FINS GREY (LIMITED STOCK)	12.99	
PTS-9983118	38	ACTIVE BRUSH BLIND ADAPTOR S300i	1.99	
PTS-9983113	39	ACTIVE BRUSH BUSHING S300	1.99	
PTS-9983117	40	ACTIVE BRUSH BRACKET LEFT S300	2.99	
PTS-3379616A	A	SCREW KA50X16 - MTIL	1.99	
PTS-3379440A	B	SCREW KA50X12 A2 WN1412 - MTIL	1.99	

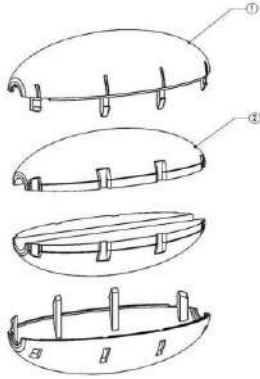
ITEM PART NUMBER	KEY	PRINTED DESCRIPTION	RETAIL PRICE	QTY TO ORDER
PTS-9983152R2	N/S	TRACKS S300 GREY	74.99	
PTS-9983122R1	N/S	ACTIVE BRUSH FINES GREY	12.99	
PTS-9991467R4	N/S	CARTRIDGE FILTERS KIT S300	140.99	
PTS-9991463R4	N/S	SPRING FILTERS KIT S300	107.99	
PTS-9983106R1	N/S	ROUGH FILTER S300i	89.99	
PTS-99956035USASSY	N/S	POWER SUPPLY ADVANCED 115V US	501.99	

MAYTRONICS - CLEANER PARTS - DOLPHIN ENCORE

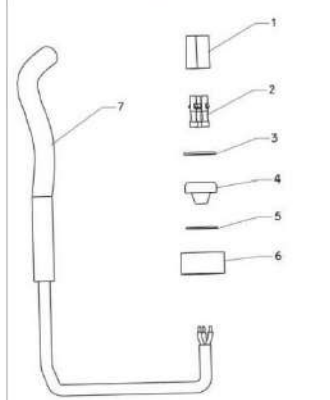


MAYTRONICS - CLEANER PARTS - DOLPHIN ENCORE CONTINUED

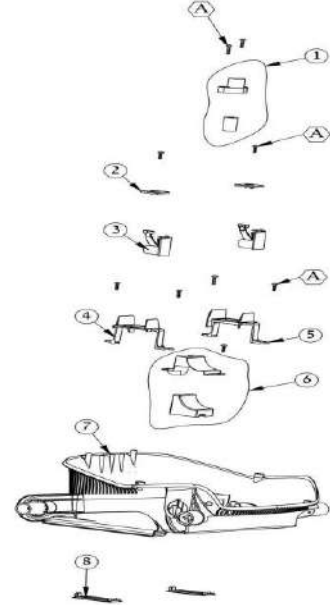
#14 FLOAT ASSY D.BASIC FLOAT BLUE



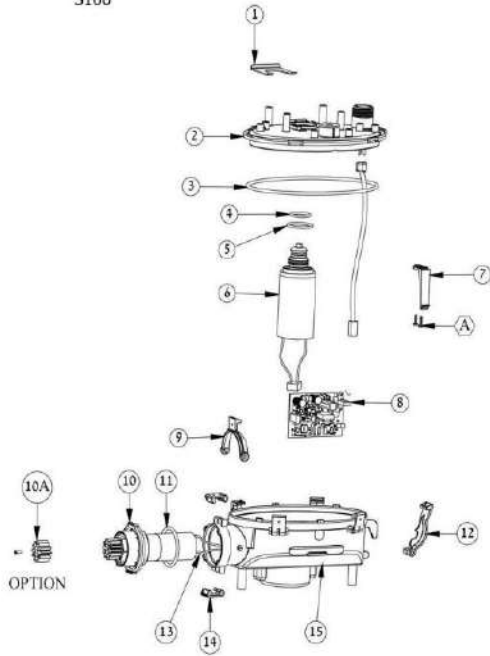
#16 RETROFIT FOR CABLE CON. 2015



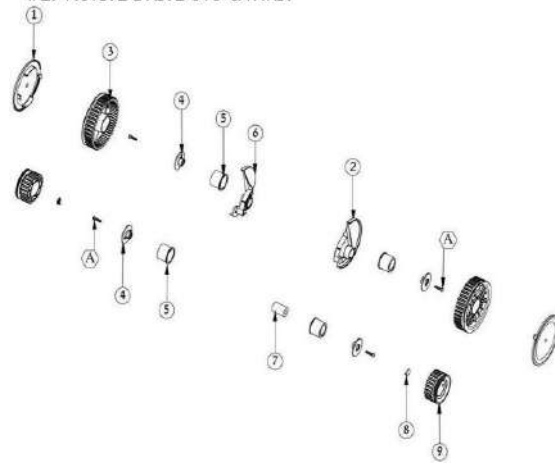
#24 CHASSIS ASSEMBLY M1C



#19 MOTOR UNIT CATALOG KIT S100



#27 ACTIVE DRIVE SYS CAT.KIT



MAYTRONICS - CLEANER PARTS - DOLPHIN ENCORE CONTINUED

ITEM PART NUMBER	KEY	PRINTED DESCRIPTION	RETAIL PRICE	QTY TO ORDER
PTS-99956034USASSY	001(01)	PS BASIC 115V US	501.99	
PTS-99952178ASSY	01	REAR LID ASSY	48.99	
PTS-99830711	02	BEAUTY COVER GREY RIGHT ACTIVE 10	4.99	
PTS-99830721	03	BEAUTY COVER GREY LEFT ACTIVE 10	4.99	
PTS-99830772	04	FILTER COVER LATCH GREY	1.99	
PTS-9991459R1	05(01)	SPRING FILTER ASSY FOR S100	128.99	
PTS-9991482ASSY	05(01B)	ULTRA FINE FILTER BASKET	210.99	
PTS-9991460R1	05(01C)	ULTRA-FINE FILTRATION BASKET S50,ECHO,ACTIVE 10	128.99	
PTS-9983027	05(02)	FILTER HANDLE KNOB	2.99	
PTS-3917029	05(03)	FILTER HANDLE SPRING S300i	7.99	
PTS-9983004	05(04)	FILTER HANDLE 1	6.99	
PTS-9983037	05(05)	FILTER FRAME TOP	9.99	
PTS-9991468R4	05(06)	SPRING FILTERS KIT S100	47.99	
PTS-9983025	05(07)	FILTER FLAP	2.99	
PTS-9983026	05(09)	FILTER HOLDER	2.99	
PTS-9983010	05(11)	FILTER DOOR 2 + O.M	9.99	
PTS-9991466R4	05(12)	CARTRIDGE FILTER KIT S100	88.99	
PTS-3303008A	05(A)	SCREW KA30X8 WN1412 A2	1.99	
PTS-3379410A	05(B)	SCREW WN1412 A2 KA40X10 - MTL	1.99	
PTS-9991750	06	FLOAT+HOUSING FOR E20	2.99	
PTS-6250960	07	FLOAT UP S100	2.99	
PTS-99830743	08	FRONT LID	10.99	
PTS-99830783	09	LID GROMMET	1.99	
PTS-99952158ASSY	10	OUTER HOUSING	28.99	
PTS-5000009	11	AMPHENOL PLUG	32.99	
PTS-9991740	12	NOZZLE TUBE SMALL L+R ASSY	1.99	
PTS-9995884DIY	13	CABLE S100 15M DIY	166.99	
PTS-99960081	14	BLUE CABLE FLOAT	11.99	
PTS-9991742	15	NOZZLE TUBE ASSY SMALL	7.99	
PTS-9991271	16	RETROFIT FOR CABLE CONN. 2015	20.99	
PTS-9985048	16(01)	CABLE CONN.THREE PIN	2.99	
PTS-1811404	16(02)	CABLE CONNECTOR	1.99	
PTS-9985027	16(03)	PLASTIC WASHER 7MM X 2MM	1.99	
PTS-3861002	16(04)	O-RING FOR CABLE CONN.	1.99	
PTS-9980025	16(05)	WASHER-INSIDE DIA. 13MM	1.99	
PTS-9980797	16(06)	NUT FOR MBU TERMINAL 2015	1.99	
PTS-9995266R1	17	IMPELLER WITH SCREW - BLACK 1 Pk	15.99	
PTS-9991211ASSY	19(06)	IMPELLER MOTOR	113.99	

MAYTRONICS - CLEANER PARTS - DOLPHIN ENCORE CONTINUED

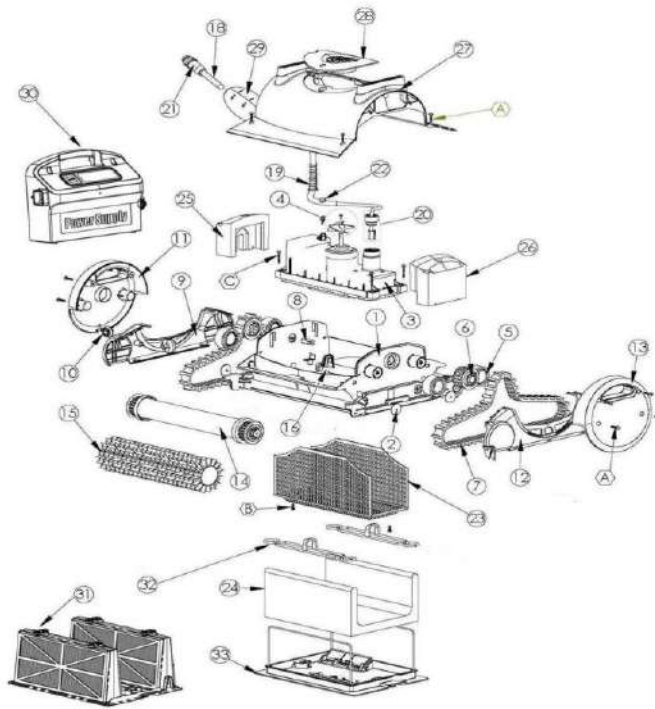
ITEM PART NUMBER	KEY	PRINTED DESCRIPTION	RETAIL PRICE	QTY TO ORDER
PTS-9983151	19(07)	PCB HOLDER S50/ACTIVE 10	0.99	
PTS-9991210ASSY	19(10)	DRIVE MOTOR	170.99	
PTS-9983142	19(10A)	GEAR FOR DRIVE MOTOR UNIT S50/ACTIVE 10	2.99	
PTS-9983166	19(12)	MOTOR CLIP	1.99	
PTS-3374012A	19(A)	SCREW KA 40X12	1.99	
PTS-9995386EX	19(MU1)	MOTOR UNIT S100 EX	600.99	
PTS-9995386EX	19(MU2)	MOTOR UNIT S100 EX	600.99	
PTS-9991747	20	BOTTOM FLOAT+HOUSING FOR S100	2.99	
PTS-9983079	21	JOINT UP TO BASE E20	4.99	
PTS-9991746ASSY	22	INNER WEIGHT+COVER ASSY FOR S100	7.99	
PTS-9983024R1	23	QUICK WATER RELEASE	7.99	
PTS-9991752	24	CHASSIS ASSY	88.99	
PTS-9991746ASSY	24(01)	INNER WEIGHT+COVER ASSY FOR S100	7.99	
PTS-9983092	24(02)	BYPASS COVER-TOP	1.99	
PTS-9991743ASSY	24(03)	BYPASS DOOR ASSY	10.99	
PTS-9983090	24(04)	BYPASS COVER-LEFT	2.99	
PTS-9983091	24(05)	BYPASS COVER-RIGHT	2.99	
PTS-9991747	24(06)	BOTTOM FLOAT+HOUSING FOR S100	2.99	
PTS-9983001	24(07)	CHASSIS S100	66.99	
PTS-9983039	24(08)	BYPASS BOTTOM COVER	1.99	
PTS-3379440A	24(A)	SCREW KA50X12 A2 WN1412 - MTL	1.99	
PTS-3917022	25	FILTER SPRING FOR S LINE	2.99	
PTS-9983152R2	26	TRACKS S300 GREY	74.99	
PTS-99830144	27(01)	WHEEL COVER LARGE (TURQ)	4.99	
PTS-99831114	27(03)	FRONT WHEEL	4.99	
PTS-99831214	27(04)	WHEEL DISK-TURQUOISE	1.99	
PTS-9983114	27(05)	WHEEL BUSHING 2	1.99	
PTS-9983012	27(06)	ACTIVE BRUSH BRACKET RIGHT	4.99	
PTS-3726283	27(07)	BYPASS WEIGHT FOR S100	24.99	
PTS-99830164	27(08)	WHEEL PLUG (TURQ)	1.99	
PTS-99830154	27(09)	SMALL WHEEL (TURQ)	4.99	
PTS-3379616A	27(A)	SCREW KA50X16 - MTL	1.99	
PTS-9995544ASSY	28	ACTIVE BRUSH ASSY GREY E10	32.99	
PTS-9983018	29	ACTIVE BRUSH GEAR Z12	1.99	
PTS-9983042	30	ACTIVE BRUSH BUSHING S100	1.99	
PTS-9983017	31	ACTIVE BRUSH ADAPTOR S100	2.99	
PTS-9983122R1	32	ACTIVE BRUSH FINES GREY	12.99	
PTS-9991732	33	RUBBER STRIPS KIT OF 10	7.99	

MAYTRONICS - CLEANER PARTS - DOLPHIN ENCORE CONTINUED

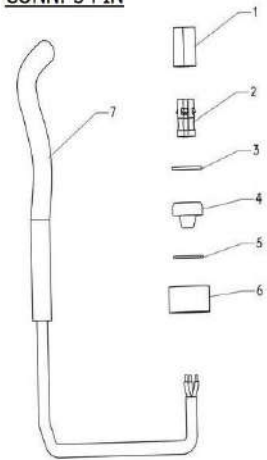
ITEM PART NUMBER	KEY	PRINTED DESCRIPTION	RETAIL PRICE	QTY TO ORDER
PTS-3379616A	A	SCREW KA50X16 - MTIL	1.99	
PTS-3379440A	B	SCREW KA50X12 A2 WN1412 - MTIL	1.99	
PTS-9983152R2	N/S(01)	TRACKS S300 GREY	74.99	
PTS-9983122R1	N/S(02)	ACTIVE BRUSH FINES GREY	12.99	
PTS-9991468R4	N/S(04)	SPRING FILTERS KIT S100	47.99	
PTS-9991460R1	N/S(05)	ULTRA-FINE FILTRATION BASKET S50,ECHO,ACTIVE 10	128.99	
PTS-9991466R4	N/S(06)	CARTRIDGE FILTER KIT S100	88.99	

MAYTRONICS - CLEANER PARTS - DOLPHIN NAUTILUS

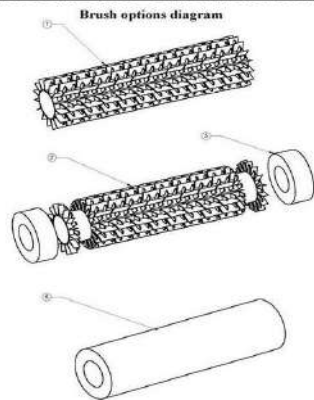
MAIN DRAWING



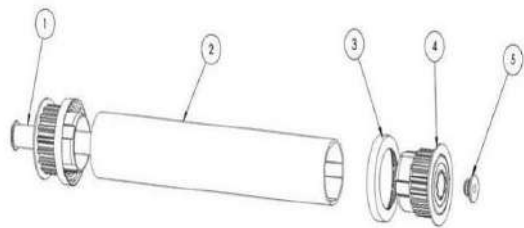
#20 RETROFIT FOR CABLE
CONN.-3 PIN



#15 BRUSHES DIAG L.BLUE-CATALOG KIT

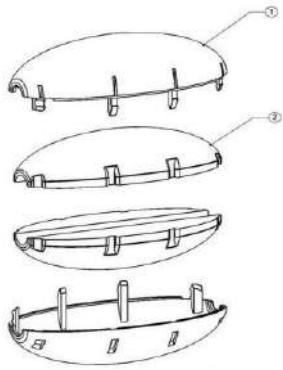


#14 DIAG.BASIC-WHEEL TUBE ASSY

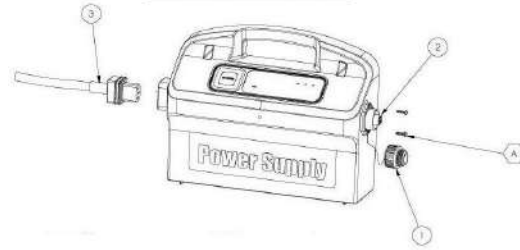


MAYTRONICS - CLEANER PARTS - DOLPHIN NAUTILUS CONTINUED

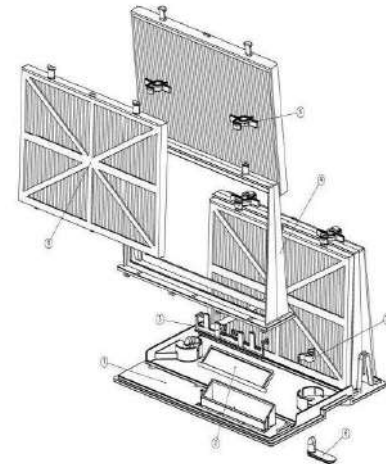
#29 FLOAT ASSY D.BASIC.FLOAT BLUE



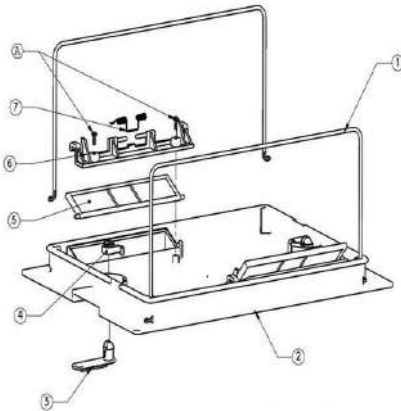
#30 PS DIAG USA 2010



#31 CARTRIDGE ASSY FOR MTC5\6 MCC5\6



#33 BOTTOM LID ASSY DB & SUPPORT



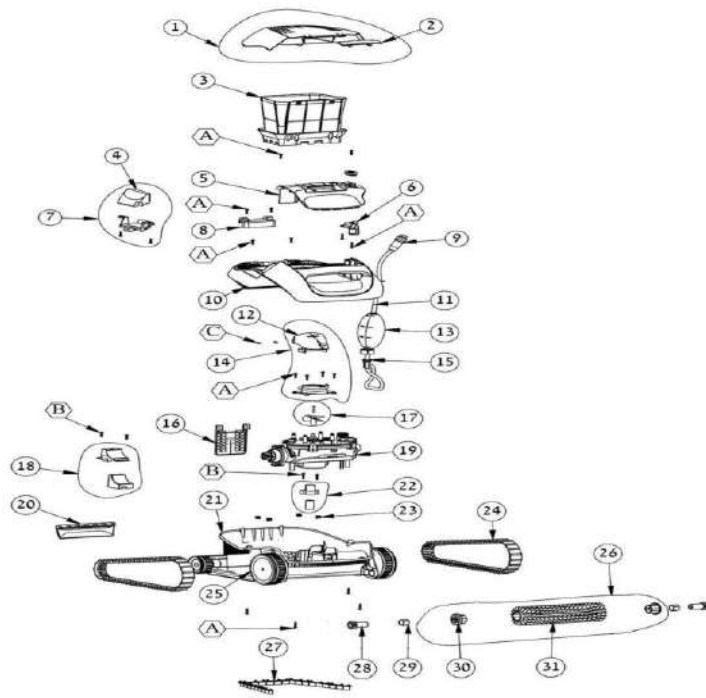
ITEM PART NUMBER	KEY	PRINTED DESCRIPTION	RETAIL PRICE	QTY TO ORDER
PTS-9980630	01	FRAME 2008	41.99	
PTS-9980220	02	DIAG.BASIC - NON RETURN DIAPHRAGM	7.99	
PTS-99953033EX	03(02)	MOTOR DIAG. 3HR. CB	501.99	
PTS-9995266R1	04	IMPELLER WITH SCREW - BLACK 1 Pk	15.99	
PTS-3884997R3	05	GUIDE WHEELS (2 PACK) W/ 1 PULEY GEAR	42.99	
PTS-3883645	06	DRIVE PULLEY- TT	27.99	
PTS-9985006R2	07	TRACKS GREY LONG (2 PACK)	67.99	
PTS-3865005	08	HEXAGON DRIVE ADAPTOR	7.99	
PTS-99806312	09	SIDE PANEL PULLEY BOTIA 1 BLACK	9.99	
PTS-9991085ASSY	10	WHEEL FOR SIDE PANEL ASSY	2.99	
PTS-99806262	12	SIDE PANEL OVER MOLD BOTIA BLACK	21.99	
PTS-9991067	13	SIDE COVER MBC5 LIGHT BLUE	11.99	
PTS-99955951ASSY	14	WHEEL TUBE ASSY TT -DIAG.BASIC	49.99	
PTS-6101914	14(01)	WHEEL TUBE DIAG. BASIC	6.99	
PTS-6101911	14(02)	WHEEL TUBE FOR D.BASIC	2.99	
PTS-3885000	14(03)	WHEEL BEARING STOPPER RING	1.99	
PTS-3884073ASSY	14(04)	WHEEL BEARING	17.99	

MAYTRONICS - CLEANER PARTS - DOLPHIN NAUTILUS CONTINUED

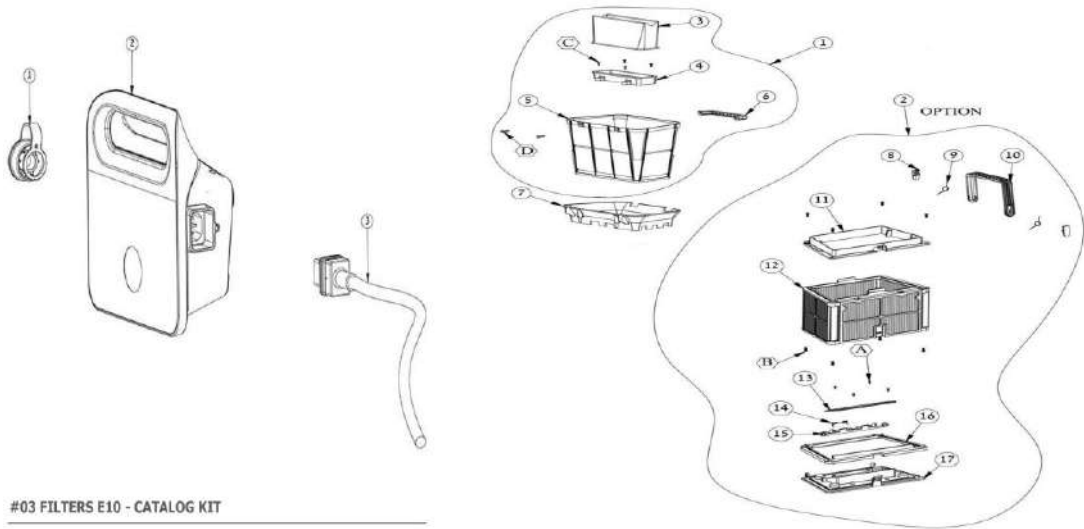
ITEM PART NUMBER	KEY	PRINTED DESCRIPTION	RETAIL PRICE	QTY TO ORDER
PTS-9982275	14(05)	CORK FOR INNER WHEEL TUBE D.BASI	1.99	
PTS-6101609R2	15(02)	BRUSH CLIMBING-LT BLUE(2PK)BRUSH RINGS SOLD SEP	47.99	
PTS-6101611R4	15(03)	CLIMBING RINGS (4 PACK)	57.99	
PTS-6101610	15(04)	BRUSH - WONDER BRUSH DIAGNOSTIC	228.99	
PTS-9985448	16	CARTRIDGE CORK	4.99	
PTS-9995851DIY	18(01)	CABLE DIAG 18M ASSY DIY DC-NO SWIVEL	233.99	
PTS-9995861DIY	18(02)	CABLE AND SWIVEL 18M DIAG DC WITH ENDS	300.99	
PTS-9995793DIY	18(03)	CABLE SWV DIAG 1.2M DIY GROMMET ABOVE SUPPORT	53.99	
PTS-3917033	19	SPRING FOR CABLE 3 WIRES	2.99	
PTS-9991279	20	RETROFIT FOR CABLE CONNECTOR -3PIN	9.99	
PTS-9985048	20(01)	CABLE CONN.THREE PIN	2.99	
PTS-1811404	20(02)	CABLE CONNECTOR	1.99	
PTS-9985027	20(03)	PLASTIC WASHER 7MM X 2MM	1.99	
PTS-3861002	20(04)	O-RING FOR CABLE CONN.	1.99	
PTS-9980025	20(05)	WASHER-INSIDE DIA. 13MM	1.99	
PTS-9980041	20(06)	SCREW-BOLT MU CABLE CONNECTOR	1.99	
PTS-5000009	21	AMPHENOL PLUG	32.99	
PTS-9982332	22	CABLE HOLDER FOR DIAGNOSTIC BASIC	2.99	
PTS-9980627	23	FILTER SCREEN FOR DLX4/DLX5/DX6	4.99	
PTS-99954307R1	24	FILTER BAG - 70 MICRON	51.99	
PTS-6250935	25	FLOAT FOR MBU APOGON BC - 300CC	2.99	
PTS-6250936	26	FLOAT FOR MBU APOGON BC - 500CC	2.99	
PTS-99951906	27	OUTER CASING NAUTILUS	166.99	
PTS-99806252	28	IMPELLER COVER BOTIA BLACK	6.99	
PTS-99960081	29	BLUE CABLE FLOAT	11.99	
PTS-9995670USASSY	30	POWER SUPPLY DIAG. USA 2010	334.99	
PTS-5020012	30(01)	AMPHENOL SOCKET COVER FOR POWER SUPPLY	9.99	
PTS-5020011	30(02)	AMPHENOL SOCKET FOR POWER SUPPLY	12.99	
PTS-5898412LF	30(03)	CABLE FOR DIGITAL PS	21.99	
PTS-3379212	30(A)	SCREW KA30X12	1.99	
PTS-9991414R1	31	CARTRIDGE ASSY & BOTTOM LID CONVERSION	166.99	
PTS-9981430R2	32	FILTER BAG CLIPS (2pk)	12.99	
PTS-99919116	33	BOTTOM LID ASSY - DX SERIES	41.99	
PTS-5583076	33(01)	FILTER BAG SUPPORT-DB	24.99	
PTS-9982330	33(03)	BOTTOM LID LATCH- DIAGNOSTIC BASIC	1.99	
PTS-9982331	33(04)	BOTTOM LID SPRING -DIAGNOSTIC BASIC	1.99	
PTS-9985442	33(06)	**IN KIT 9995892** BASE FOR NON RETURN FLAP	1.99	
PTS-3303008A	33(A)	SCREW KA30X8 WN1412 A2	1.99	

MAYTRONICS - CLEANER PARTS - DOLPHIN NAUTILUS CONTINUED

ITEM PART NUMBER	KEY	PRINTED DESCRIPTION	RETAIL PRICE	QTY TO ORDER
PTS-3379720A	A	SCREW - KA50X20 - MTIL	1.99	
PTS-3379440A	B	SCREW KA50X12 A2 WN1412 - MTIL	1.99	
PTS-3305030A	C	SCREW KA50X30 - MTIL	1.99	
PTS-9985006R2	N/S(01)	TRACKS GREY LONG (2 PACK)	67.99	
PTS-3884997R6	N/S(02)	GUIDE WHEELS (4 PACK) W/ 2 PULLEY GEAR	72.99	
PTS-6101609R2	N/S(03)	BRUSH CLIMBING-LT BLUE(2PK)BRUSH RINGS SOLD SEP	47.99	
PTS-6101611R4	N/S(04)	CLIMBING RINGS (4 PACK)	57.99	
PTS-9991408R4	N/S(05)	SPRING CARTRIDGE-LG FILTER PANELS (4 PACK)	102.99	
PTS-9991425R4	N/S(06)	ULTRA FINE CARTRIDGE-LG FILTER PANELS (4 PACK)	96.99	
PTS-99954305R1	N/S(07)	FILTER BAG 70 MICRON	51.99	
PTS-9995266R1	N/S(08)	IMPELLER WITH SCREW - BLACK 1 Pk	15.99	



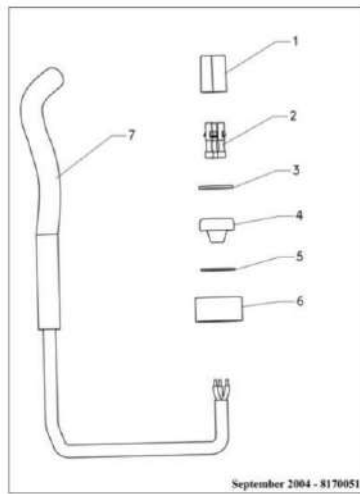
#001(01) PS BASIC 115V US



#03 FILTERS E10 - CATALOG KIT

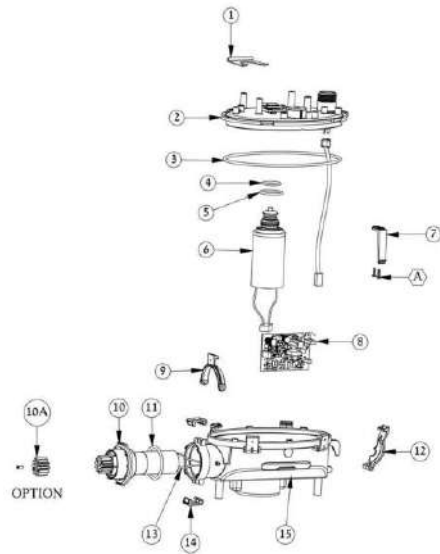
#13 FLOAT ASSY D.BASIC FLOAT BLUE

MAYTRONICS - CLEANER PARTS - DOLPHIN E10 CONTINUED

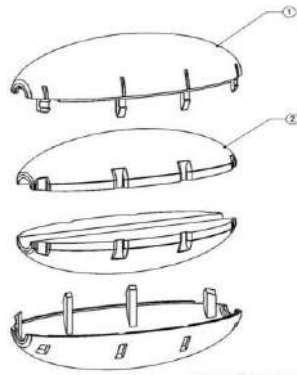


September 2004 - 8170051

#19 MOTOR UNIT CATALOG KIT E10

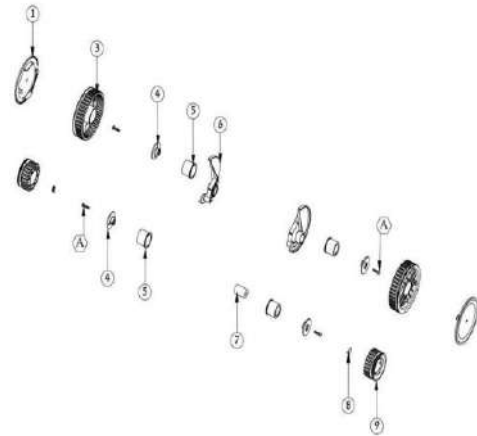


#25 E10 DRIVE SYS CAT. KIT



November 2005 - P/N: 8170056

#15 RETROFIT FOR CABLE CON. 2015



ITEM PART NUMBER	KEY	PRINTED DESCRIPTION	RETAIL PRICE	QTY TO ORDER
PTS-99956034USASSY	001(01)	PS BASIC 115V US	501.99	
PTS-9991461R1	03(01)	MONOBLOCK FILTER E10 ASSY	84.99	
PTS-9991460R1	03(02)	ULTRA-FINE FILTRATION BASKET S50,ECHO,ACTIVE 10	128.99	
PTS-9991459R1	03(02)B	SPRING FILTER ASSY FOR S100	128.99	
PTS-6350151	03(03)	NON RETURN FLAP S1	4.99	
PTS-9983041	03(04)	VALVE HOLDER (MONOBLOCK)	2.99	
PTS-6350151	03(05)	NON RETURN FLAP S1	4.99	
PTS-9983040	03(06)	FILTER HANDLE (MONOBLOCK)	2.99	
PTS-9983043	03(07)	FILTER GUIDE (MONOBLOCK)	7.99	
PTS-9983027	03(08)	FILTER HANDLE KNOB	2.99	
PTS-3917029	03(09)	FILTER HANDLE SPRING S300I	7.99	
PTS-9983004	03(10)	FILTER HANDLE 1	6.99	

MAYTRONICS - CLEANER PARTS - DOLPHIN E10 CONTINUED

ITEM PART NUMBER	KEY	PRINTED DESCRIPTION	RETAIL PRICE	QTY TO ORDER
PTS-9983027	03(11)	FILTER HANDLE KNOB	2.99	
PTS-9991466R4	03(12)	CARTRIDGE FILTER KIT S100	88.99	
PTS-9991468R4	03(12B)	SPRING FILTERS KIT S100	47.99	
PTS-9983025	03(13)	FILTER FLAP	2.99	
PTS-9983026	03(15)	FILTER HOLDER	2.99	
PTS-9983036	03(16)	FILTER FRAME BOTTOM	6.99	
PTS-9983010	03(17)	FILTER DOOR 2 + O.M	9.99	
PTS-3303008A	03(A)	SCREW KA30X8 WN1412 A2	1.99	
PTS-3379410A	03(B)	SCREW WN1412 A2 KA40X10 - MTIL	1.99	
PTS-3379408A	03C	SCREW WN1412 A2 KA 40X8	1.99	
PTS-3374016A	03(D)	SCREW KA 40X16 WN1412	1.99	
PTS-6250960	04	FLOAT UP S100	2.99	
PTS-9983058	06	GROMMET LID WHITE E10	2.99	
PTS-9991748	07	FLOAT+HOUSING FOR S50	1.99	
PTS-9983056	08	JOINT UP TO BASE E10	4.99	
PTS-5000009	09	AMPHENOL PLUG	32.99	
PTS-99958902DIY	11	CABLE DIAG E10 12M DIY	99.99	
PTS-9991740	12	NOZZLE TUBE SMALL L+R ASSY	1.99	
PTS-99960081	13	BLUE CABLE FLOAT	11.99	
PTS-9991742	14	NOZZLE TUBE ASSY SMALL	7.99	
PTS-9991271	15	RETROFIT FOR CABLE CONN. 2015	20.99	
PTS-9985048	15(01)	CABLE CONN.THREE PIN	2.99	
PTS-1811404	15(02)	CABLE CONNECTOR	1.99	
PTS-9985027	15(03)	PLASTIC WASHER 7MM X 2MM	1.99	
PTS-3861002	15(04)	O-RING FOR CABLE CONN.	1.99	
PTS-9980025	15(05)	WASHER-INSIDE DIA. 13MM	1.99	
PTS-9980797	15(06)	NUT FOR MBU TERMINAL 2015	1.99	
PTS-9995266R1	17	IMPELLER WITH SCREW - BLACK 1 Pk	15.99	
PTS-9991747	18	BOTTOM FLOAT+HOUSING FOR S100	2.99	
PTS-3374012A	19(A)	SCREW KA 40X12	1.99	
PTS-9995389EX	19(MU2)	MOTOR UNIT E10 EX	600.99	
PTS-9983024R1	20	QUICK WATER RELEASE	7.99	
PTS-9991746ASSY	21	INNER WEIGHT+COVER ASSY FOR S100	7.99	
PTS-9991746ASSY	22	INNER WEIGHT+COVER ASSY FOR S100	7.99	
PTS-3917022	23	FILTER SPRING FOR S LINE	2.99	
PTS-9983152R2	24	TRACKS S300 GREY	74.99	
PTS-9983014	25(01)	LARGE WHEEL COVER	4.99	
PTS-99831111	25(03)	FRONT WHEEL WHITE	4.99	

MAYTRONICS - CLEANER PARTS - DOLPHIN E10 CONTINUED

ITEM PART NUMBER	KEY	PRINTED DESCRIPTION	RETAIL PRICE	QTY TO ORDER
PTS-99831211	25(04)	WHEEL DISK WHITE	1.99	
PTS-9983114	25(05)	WHEEL BUSHING 2	1.99	
PTS-9983012	25(06)	ACTIVE BRUSH BRACKET RIGHT	4.99	
PTS-3726283	25(07)	BYPASS WEIGHT FOR S100	24.99	
PTS-9983016	25(08)	WHEEL PLUG	1.99	
PTS-9983015	25(09)	SMALL WHEEL	4.99	
PTS-3379616A	25A	SCREW KA50X16 - MTIL	1.99	
PTS-9995544ASSY	26	ACTIVE BRUSH ASSY GREY E10	32.99	
PTS-9991732	27	RUBBER STRIPS KIT OF 10	7.99	
PTS-9983018	28	ACTIVE BRUSH GEAR Z12	1.99	
PTS-9983042	29	ACTIVE BRUSH BUSHING S100	1.99	
PTS-9983017	30	ACTIVE BRUSH ADAPTOR S100	2.99	
PTS-9983122R1	31	ACTIVE BRUSH FINES GREY	12.99	
PTS-3379616A	A	SCREW KA50X16 - MTIL	1.99	
PTS-3379440A	B	SCREW KA50X12 A2 WN1412 - MTIL	1.99	