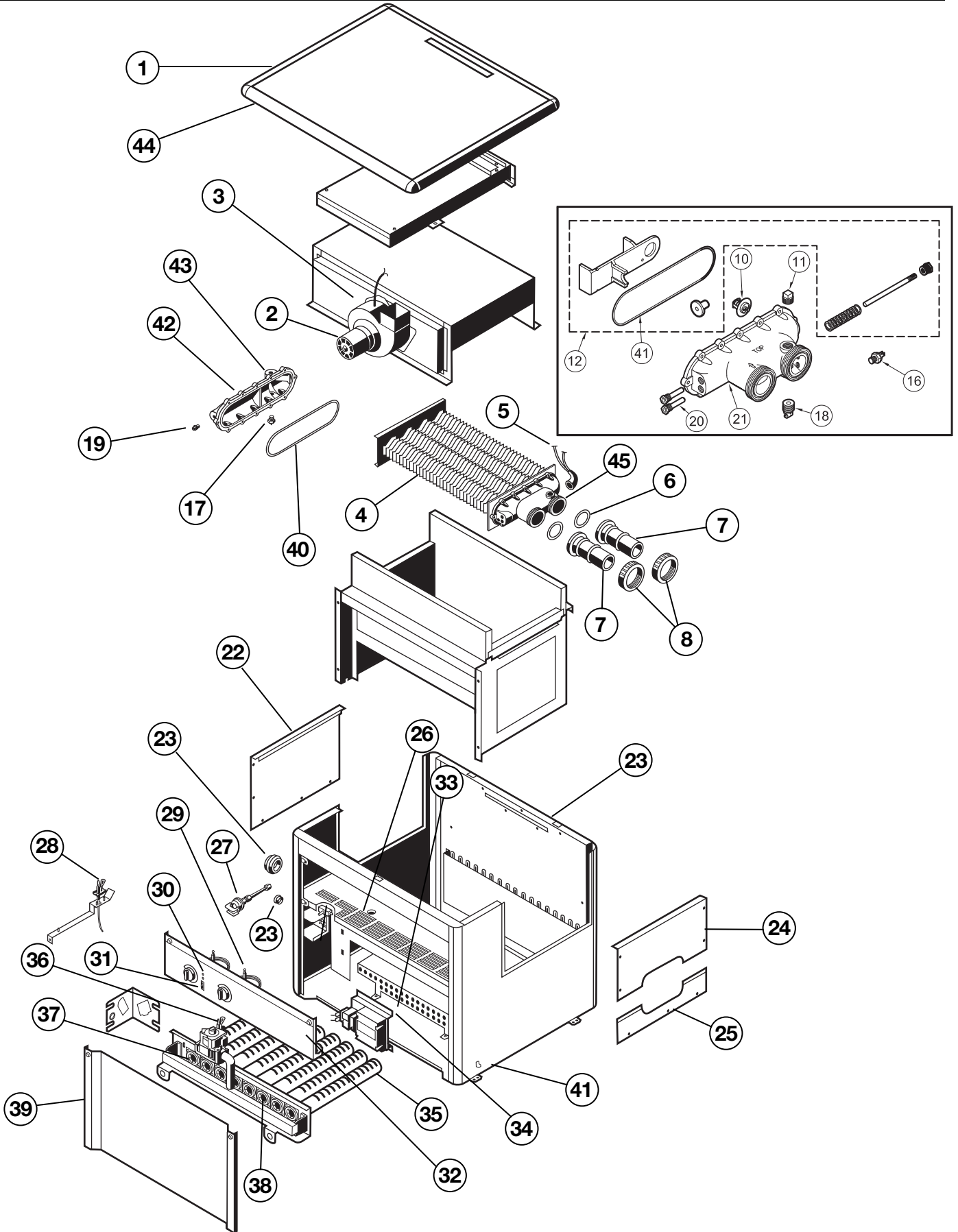




H-Series

INDUCED DRAFT HEATER REPLACEMENT PARTS

Parts Diagram



Parts Listing

Ref. No.	Part No.	Description	Ref. No.	Part No.	Description
1	IHXJKT1250	Jacket Top Assembly – H250ID1	28	HAXIGN1931	Ignitor Assembly
	IHXJKT1400	Jacket Top Assembly – H400ID1	29	HAXTST1930	Thermostat
2	IHXBWR1930	Combustion Blower	30	HAXLDK1930	LED Kit
3	IHXBLG1930	Blower Gasket	31	CHXTSW1930	System Switch
4	HAXHXA1251	Heat Exchanger Assembly – H250ID	32	IHXCPA1250	Control Panel Assembly – H250ID1
	HAXHXA1401	Heat Exchanger Assembly – H400ID		IHXCPA1400	Control Panel Assembly – H400ID1
5	HAXWHA0002	Rear Wire Harness	33	IHXTRF1930	Transformer
6	HAXFOR1930	O-Rings	34	IHXMOD1931	Control Module
7	HAXNIP1930	Flange Pipe Nipples	35	HAXBRN1930	Burner Tube
8	HAXNUT1930	Union Nuts	36	HAXGSV0004	Gas Valve, Propane
10	HAXFCT1930	Flow Control Thermostat		HAXGSV0005	Gas Valve, Natural Gas
11	CHXPLG1930	3/4" NPT Brass Plug	37	HAXMAN1251	Gas Manifold – H250ID1
12	HAXBPK1931	By-Pass Valve Kit		HAXMAN1401	Gas Manifold – H400ID1
16	HAXHLI1930*	Hi-Limit 135° F	38	HAXBON1930	Burner Orifice, Natural Gas
17	HMXHLI2932	Hi-Limit 160° F		HAXBON1930	Burner Orifice, Propane
18	HAXDRV1930	Drain Valve Assembly	39	IHXFAD1250	Front Access Door Assembly – H250ID1
19	CHXPSA1930	Pressure Switch Adapter		IHXFAD1400	Front Access Door Assembly – H400ID1
20	HAXTBW1930	Bulb Well, Cotherm	40	HAXHOR1930	Header O-Ring
21	HAXFHD1930	Front Header Only	41	CHXGRL1930	TA-2 Ground Lug
22	IHXLAC1930	Left Access Cover	42	HAXRHD1930	Rear Header Only
23	IHXPHK1930	Plastic Hardware Kit	43	HAXPLG1930	1/4" NPT Brass Plug
24	IHXURA1930	Upper Right Access Cover	44	HAXCIA1930	Corner Piece Kit (4)
25	HAXLRA1931	Lower Right Access Cover	45	HAXFHA1930	Front Header Assembly
26	IHXILS1930	Interlock Switch		HAXWFN1930	Header Mounting Nut Kit (<i>Pack of 12</i>)
27	HAXPSA1930	Pressure Switch Assembly			

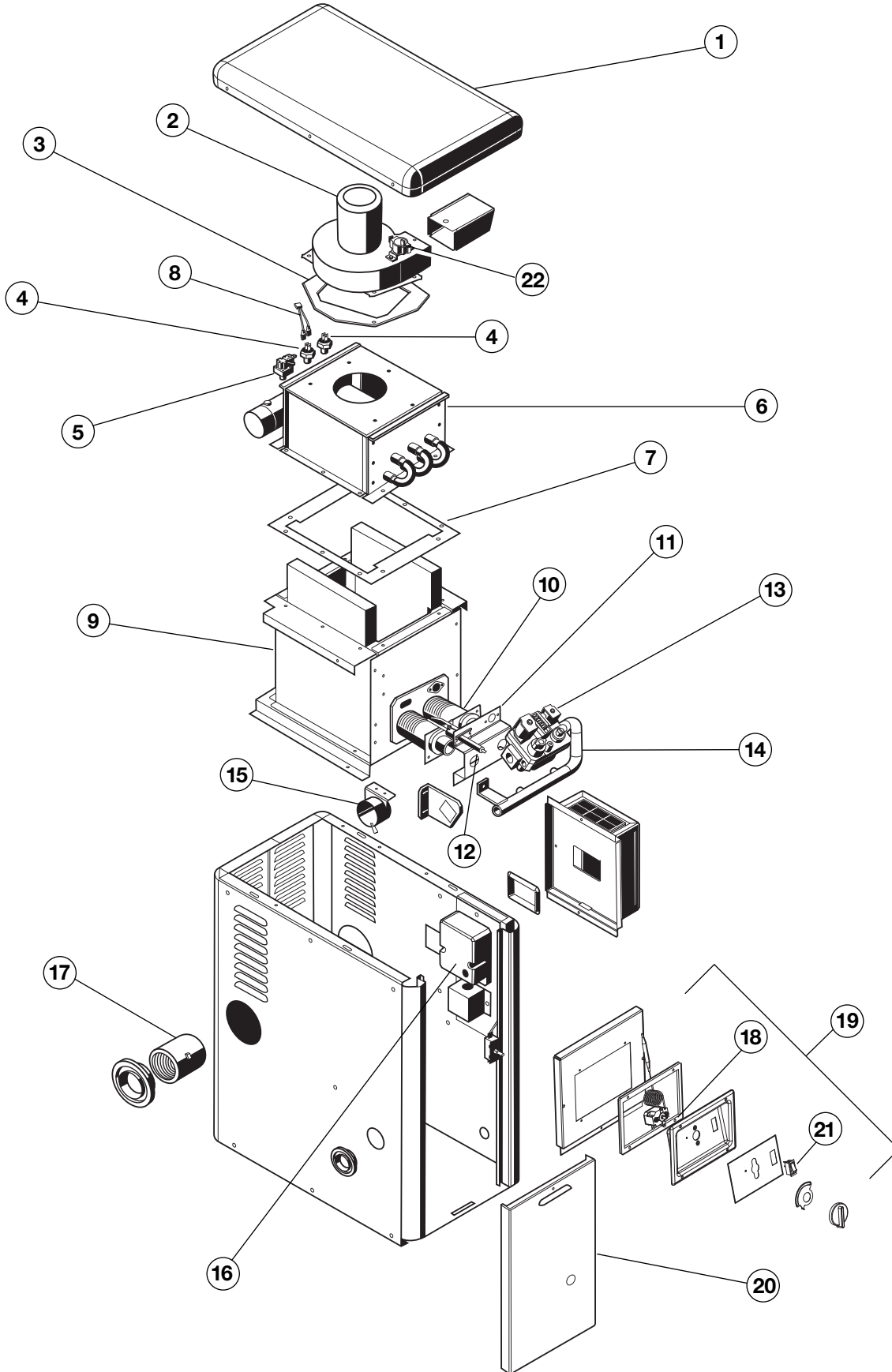
NOTE: *Used on heat exchangers made after 10/28/00.



H-Series

ABOVE-GROUND – INDUCED DRAFT HEATER REPLACEMENT PARTS

Parts Diagram



Parts Listing

Ref. No.	Part No.	Description	Ref. No.	Part No.	Description
1	IDXJKT1100	Jacket Top	12	IDXIGN1930	Ignitor
2	IDXBWR1935 [†]	Combustion Blower	13	IDXVAL1931	Gas Valve
	IDXBWR1936 ^{††}	Combustion Blower	14	IDXMAN1100	Gas Manifold
3	IDXBLG1930 [†]	Blower Gasket	15	IDXAPS1930	Air Pressure Switch
	IDXBLG1931 ^{††}	Blower Gasket	16	IDXMOD1930	Control Module with Ignitor
4	IDXHLC1930	Hi Limits, Kit	17	IDXCPG1931	Coupling
5	CZXPRS1105	Water Pressure Switch	18	IDXTST1930	Thermostat
6	IDXHXA1101 [†]	Heat Exchanger Assembly	19	IDXCPA1100	Control Panel Assembly
	IDXHXA1102 ^{††}	Heat Exchanger Assembly	20	IDXFAD1100*	Front Access Door
7	IDXGKT1930	Heat Exchanger Gasket		IDXFAD1101**	Front Access Door
8	IDXWHA1930*	Wire Harness	21	CHXTSW1930	On/Off Switch
	IDXWHA1931**	Wire Harness	22	IDXBLS1930 [†]	Blower Switch
9	IDXBRG1930	Burner Gasket		IDXBLS1931 ^{††}	Blower Switch
10	IDXBNR1930	Burner	—	IDXCST1930	Cordset (not shown)
11	IDXAGK1930	Burner Orifice and Air Orifice Bracket Kit – Natural			CONVERSION KITS
	IDXAGK1931	Burner Orifice and Air Orifice Bracket Kit – Propane	—	IDXCNK1933	Natural to Propane
			—	IDXCNK1934	Propane to Natural

NOTES: *Used only on heaters made before January 2000, S/N 20A01209.

**Used only on heaters made after January 2000, S/N 20A01209.

[†]Used only on heaters made before April 16, 2013, S/N 21131304101440001.

^{††}Used only on heaters made after April 16, 2013, S/N 21131304101440001.