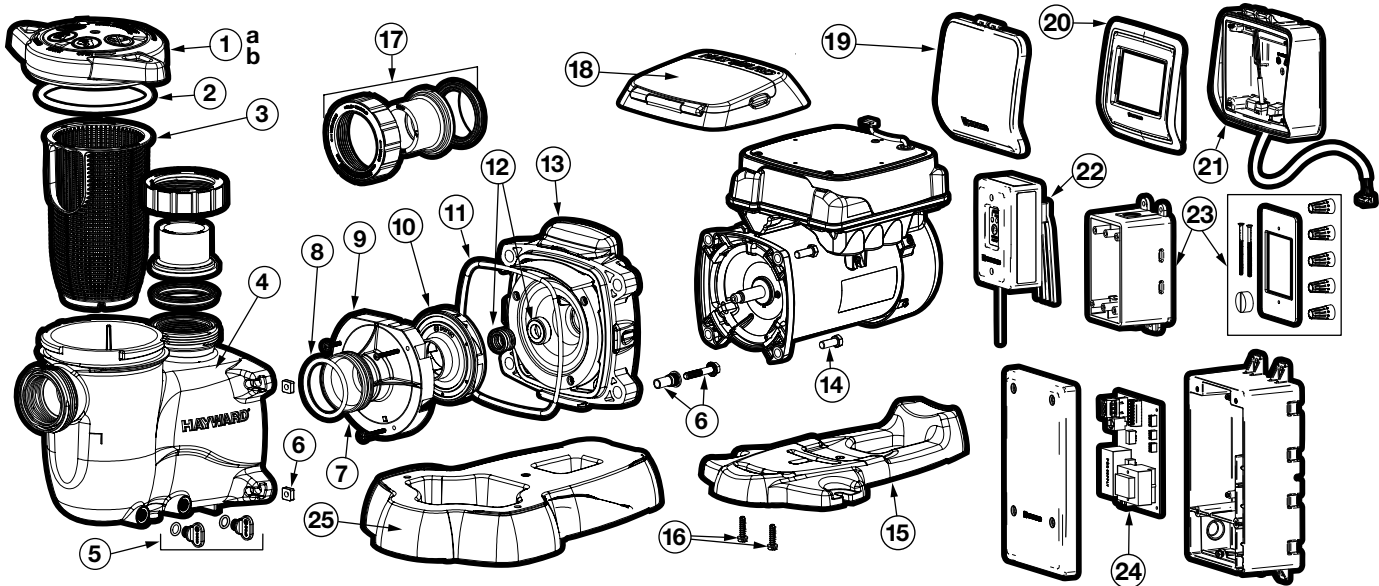


# MaxFlo VS™ 500 Omni

VARIABLE SPEED PUMP SERIES

Pumps

## Parts for Pump Models: HL2350020VSP



Ref. No.	Part No.	Description	Ctn. Qty.
1a	SPX2300DLS	Strainer Cover Kit (Includes Strainer Cover, Lock-Ring, O-Ring)	10
1b	SPX2300DLSB	Strainer Cover Kit for Biguanide Sanitizers (Includes Strainer Cover, Lock-Ring, O-Ring) <b>NOT</b> Pressure Testabl	10
2	SPX2300Z4	Strainer Cover O-Ring	50
3	SPX2300M	Strainer Basket	5
4	SPX2300AA	Pump Strainer Housing with Drain Plugs	1
5	SPX4000FG	Drain Plug with O-Ring	50
6	SPX2700ZPAK	Hardware Pack (Includes 4 Housing Bolts, Seal-Plate Spacers and Square Nuts)	10
7	SPX2300Z3PAK3	Diffuser Screws (3 pack)	50
8	SX220Z2	Diffuser O-Ring	500
9	SPX2300B	Diffuser	5
10	SPX2300CVS	Impeller	10
11	GMX600F	Housing O-Ring	100
12	SPX2700SAV	Viton® Shaft Seal Assembly	10
13	SPX2300E	Seal Plate	5
14	SPX3200Z5PAK4	Motor Bolt (4 pack)	50
15	SPX2300G	Motor Support with Base Mount Screws	5
16	SPX1600Z52	Motor Support Base Mount Screws	1
17	SPX2700UNKIT	Union Connector Kit (Includes 2 Nuts, Connectors, Gaskets)	10
18	SPX3400DR4	Motor Drive Display Cover (Cover only)	5
19	HLXDCOVER	Sun Cover Replacement	1
20	HLXDLCD	LCD Disp Replacement	1
21	HLXDSPCASE	Case Replacement	1
22	HLX485RELAY	Replacement RS485 Relay	1
23	HLXJBOX	Replacement Jbox	1
24	HLXHIOPCB	OmniHub PCB	1
—	SPX3200LCD	Digital Control Interface Assembly	1
—	SPX3400DRKIT	Wall Mount Kit	5
—	HLH485RELAY	Omni RS485 Smart Relay	1
—	HLX485100	RS485 100 ft. Extension	1
—	HLX485200	RS485 200 ft. Extension	1
—	HLXHW5PK	OmniHub Hardware - Not Shown (5 pack)	1
—	HLXWHIP6	Omni 6 ft. Whip - Not Shown	1
—	HLXRLYLABL	Replacement Relay Label	1

### OPTIONAL

25	SPX2300GR	Optional Riser Base Aligns with Sta-Rite® Dyna-Pro®	1
----	-----------	---	---

### POWER END

—	SPX26115Z1VSPE	Power End Assembly for SP26115VSP (Includes #7-14, motor and drive)	1
—	SPX2603Z1VSPE	Power End Assembly for SP2603VSP (Includes #7-14, motor and drive)	1

**HAYWARD**