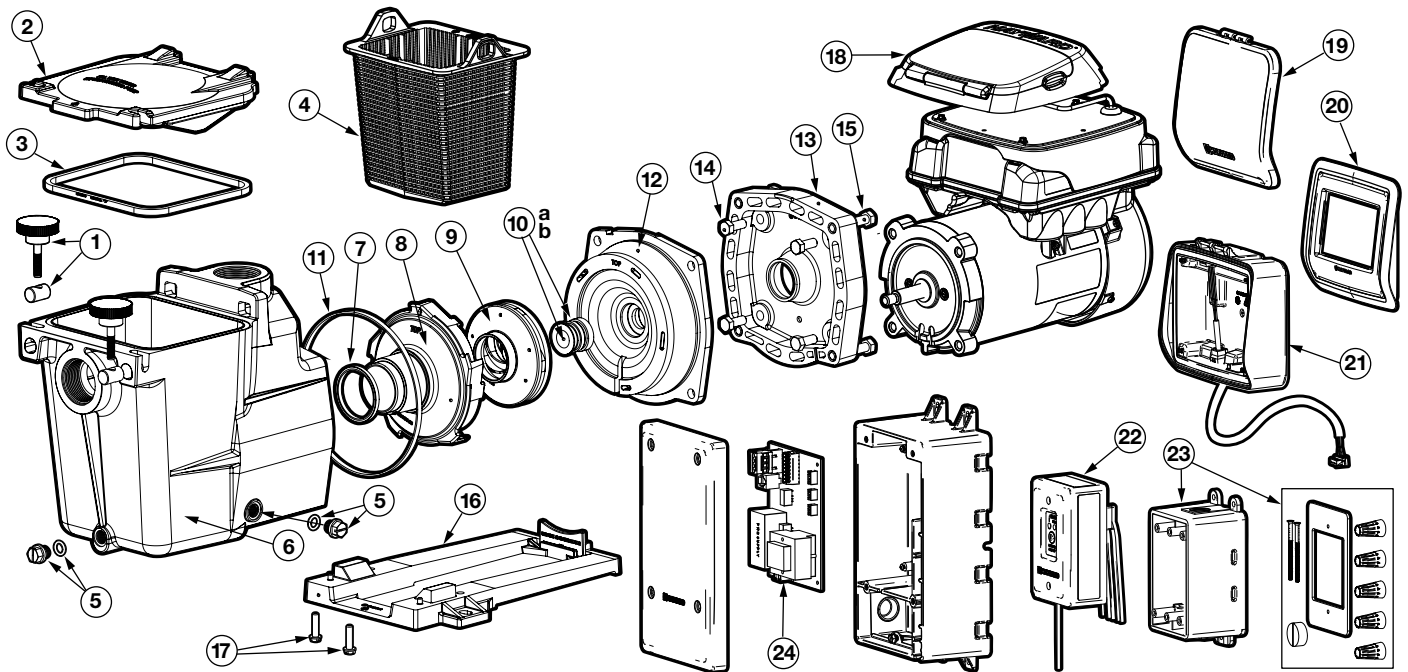


# Super Pump VS 700 Omni

REPLACEMENT PARTS

## Parts for Pump Models: HL2670020VSP



Ref. No.	Part No.	Description	Ctn. Qty.
1	SPX1600PN	Swivel Nut and Hand Knob	100
2	SPX1600D	Strainer Cover	10
3	SPX1600S	Strainer Cover Gasket	50
4	SPX1600M	Basket	20
5	SPX1700FG	Drain Plug with Gasket	50
6	SPX1600AA	Pump/Strainer Housing with Gasket	1
7	SPX1600R	Diffuser Gasket	25
8	SPX2600B	Diffuser	10
9	SPX2610C	Impeller for SP2603VSP and SP2670010X15	20
10	SPX2607C	Impeller for SP26115VSP and SP2670007X10	10
10	SPX1600Z2VIT	Viton® Shaft Seal Assembly	10
11	SPX1600T	Housing Gasket	50
12	SPX2600E5	Seal Plate	10
13	SPX1600F5	Motor Mounting Plate	10
14	SPX0125Z44	Motor Cap Screws (Set of 4)	20
15	SPX1600Z4	Housing Cap Screw	25
16	SPX2600G1	Mounting Foot (Includes Screws)	10
17	SPX1600Z52	Mounting Foot Screws (Set of 2)	1
18	SPX3400DR4	Motor Drive Display Cover (Cover only)	5
19	HLXDCOVER	Sun Cover Replacement	1
20	HLXDLCD	LCD Disp Replacement	1
21	HLXDSPCASE	Case Replacement	1
22	HLX485RELAY	Replacement RS485 Relay	1
23	HLXJBOX	Replacement Jbox	1
24	HLX485100	RS485 100 ft. Extension	1
—	HLXHW5PK	OmniHub Hardware - Not Shown (5 pack)	1
—	HLXWHIP6	Omni 6 ft. Whip - Not Shown	1
—	HLH485RELAY	Omni RS485 Smart Relay	1
—	SPX3200LCD	Digital Control Interface Assembly	1
—	SPX3400DRKIT	Wall Mount Kit	5
—	SPXHKIT3	Quick Fix Kit (Includes #3, 7, 10, 11 and Jack's Lube)	10
—	HLX485200	RS485 200 ft. Extension	1
—	HLXHIOPCB	OmniHub PCB	1
—	HLXRLYLABL	Replacement Relay Label	1
—	SPX3200DRCC	Communication Cable for VS Pump	1

### POWER END

—	SPX26115Z1VSPE	Power End Assembly for SP26115VSP (Includes #7-14, motor and drive)	1
—	SPX2603Z1VSPE	Power End Assembly for SP2603VSP (Includes #7-14, motor and drive)	1

**HAYWARD**