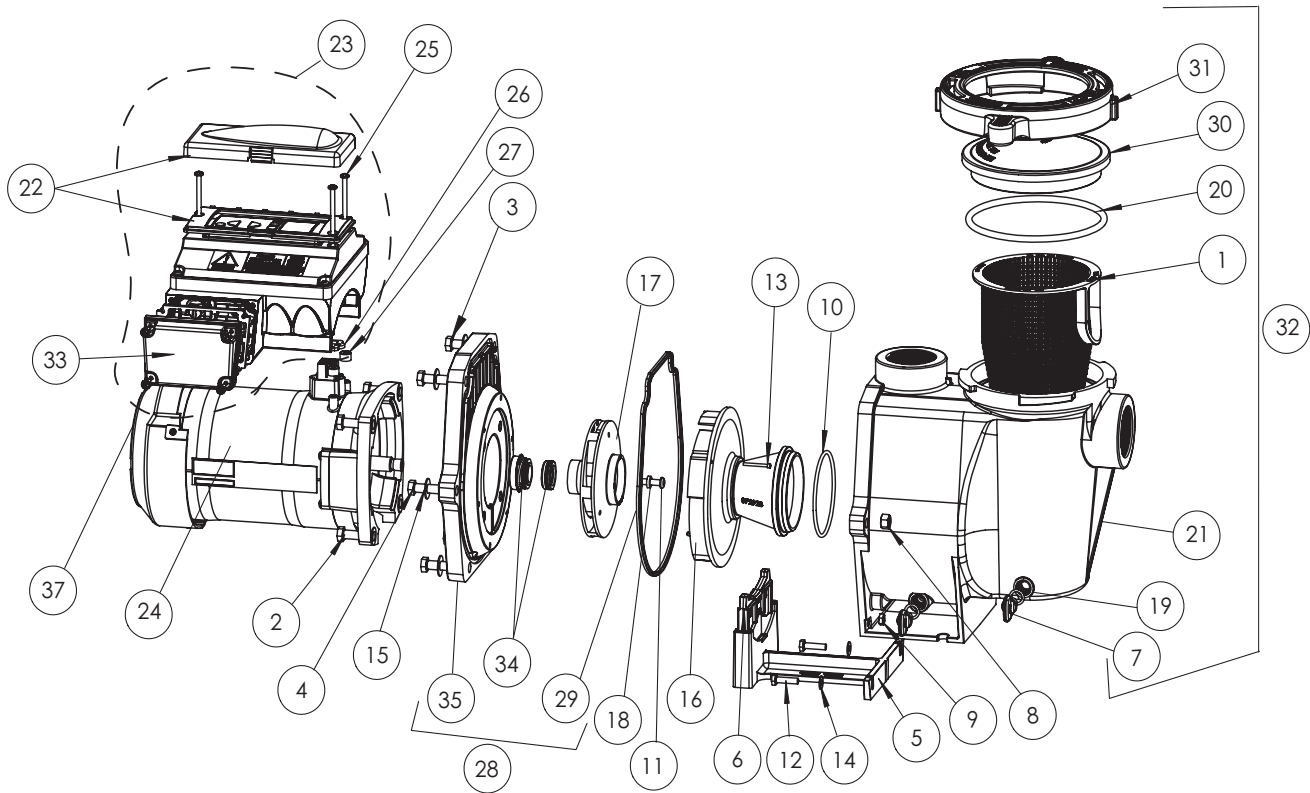


Replacement Parts



IntelliFlo® Variable Speed Replacement Parts (Almond Colored Pumps)

Item No.	Part No.	Description	Item No.	Part No.	Description
1	070387	BASKET AQ & WF	21	350015	HOUSING WFE (ALMOND)
2	070429	BOLT HEX HD, 2-56x0.875 s/s, (QTY 4)	22*	350082	CONTROL COVER ASSEMBLY (buy 350601)
3	070430	BOLT 3/8 - 16 X 1 1/4 HEX CAP 18-8 s/s, (QTY 4)	23	353251	INTELLIFLO VARIABLE SPEED MOTOR DRIVE 3.2KW (Items 22, 25, 26, 27, 33) (ALMOND)
4	070431	BOLT 3/8 - 16 X 2 HEX CAP 18-8 s/s, (QTY 2)	24	350105S	VFD MOTOR 3.2 KW PMSM (ALMOND)
5	070927	FOOT WF - PUMP MOTOR SUPPORT	25	350107	SCREW 10-24 X 3 1/4 in. PH MS 18-8 s/s, (QTY 3)
6	070929	FOOT INSERT WF PUMP	26	350108	INTELLIFLO DRIVE GASKET
7	071131	PLUG DRAIN WFE (ALMOND) (QTY 2)	27	350142	SPACER CAP (QTY 3)
8	071403	NUT 3/8 - 16 BRASS NICKEL PLATED, (QTY 2)	28	350201	SEAL PLATE KIT, WFE ALMOND (item 29, 34, 35)
9	071406	NUT 1/4 - 20 HEX s/s (QTY 2)	29	357100	GASKET SEAL PLATE TO HOUSING
10	071444	O-RING 238, 3.484x0.139, Buna-N 70	30	357151	LID SEE THRU WF
11	071652	SCREW 1/4-20 X 1 LH PHILLIPS PAN MS 18-8 s/s	30	357156	LID CHEMICAL RESISTANT (BAQUACIL® RESISTANT)
12	071657	SCREW 1/4 - 20 X 1 in. HEX CAP 18-8 s/s, (QTY 3)	31	357199	CLAMP CAM & RAMP WF (ALMOND)
13	071660	SCREW SET 4-40 X 1-1/8 WFE SCKT CAP 18-8 s/s (QTY 2)	32	357243	POT WF ASSY ALMOND (Items 1,7 (Qty.2), 19 (Qty.2), 20, 21, 30, 31)
14	072183	WASHER FLAT 1/4 X 5/8 20 GA THICK 18-8 s/s (QTY 2)	33	350621	JUNCTION BOX COVER (w/ SCREWS & GASKET) - ALMOND
15	072184	WASHER 3/8 ID X 7/8 OD .05 THICK 18-8 s/s, (QTY 6)	34	071734S	SEAL KIT
16	072928	DIFFUSER ASSEMBLY WFE 12	35	074564	SEAL PLATE (ALMOND)
17	073131	IMPELLER WFE 12 1000 SER			
18	075713	RUBBER WASHER WFE PUMP			
19	192115	O-RING 112, 0.487x0.103 Buna-N 70 (QTY 2)			
20	350013	O-RING LID CH/WF 2-436			

Note: (*) Not serviceable parts.

357603 Union Kit: Includes two complete unions for one pump (not included with the pump)

350601 Drive Control Cover Assy. Kit: Almond (contains drive Variable Speed, drive lid screws orange spacer caps) - (Items 22, 25 (Qty. 3), 26, 27 (Qty. 3))

350612 Hardware/gasket Assy. Kit: Contains 3 screws, 3 spacer caps and drive gasket - (Items 25, 26, 27)

350122 - 50 ft. Communication Cable

357149 Almond Housing/Seal Plate Replacement Kit: Items 1, 7 (Qty 2), 19 (Qty 2), 20, 29, 30, 31, 34, 35)