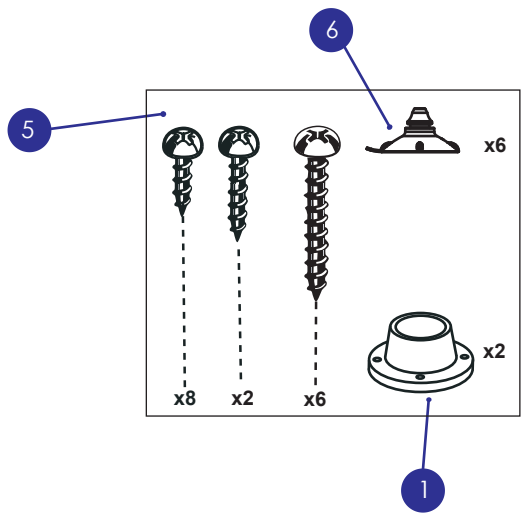
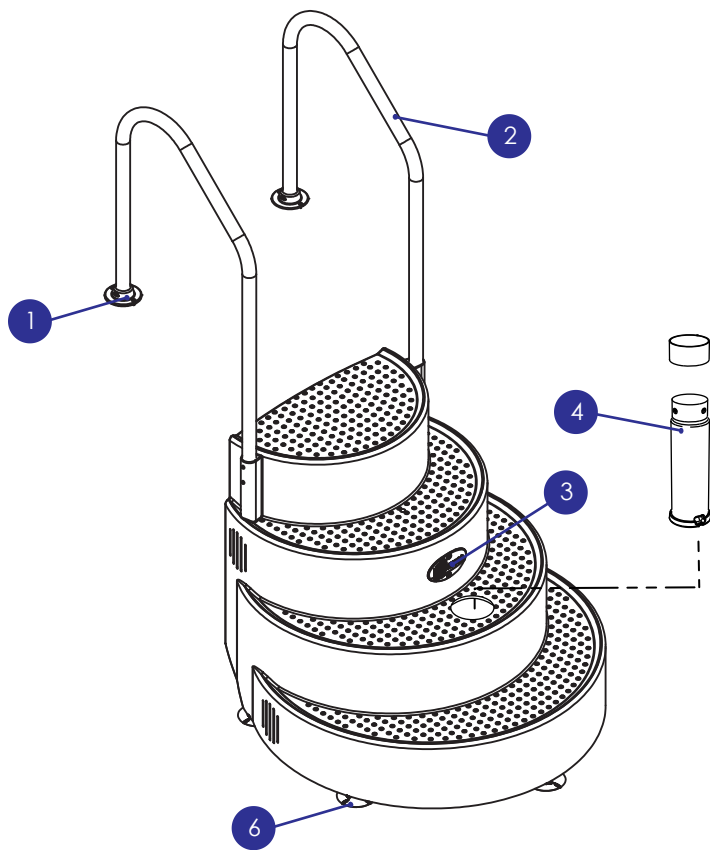


MB.000.13-S-B THE STEP II



PRODUCT DESCRIPTION		PRODUCT CODE
1	Deck flange	99.0003
2	Aluminium dual handrail kit (includes hardware kit)	50.0033
3	Light cover/cap light - WHITE	160-0029
4	Ballast - WHITE	700-0060
5	Hardware kit for the Step I, Step II and SpaceSaver	140-0035
6	Step cups (kit of 6) (included in hardware kit)	160-0031-6