

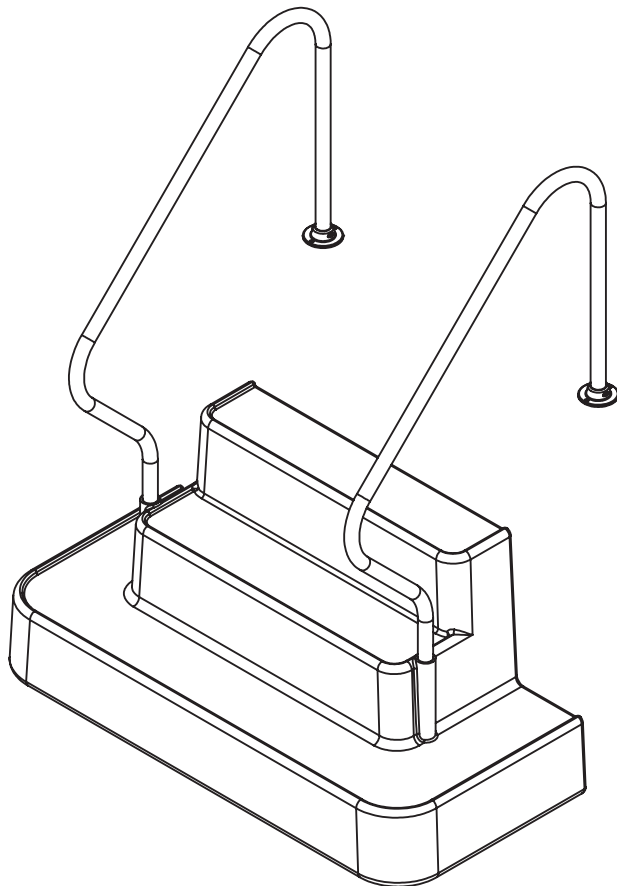
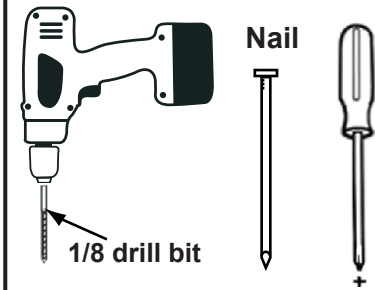
# Installation guide: The Inground step



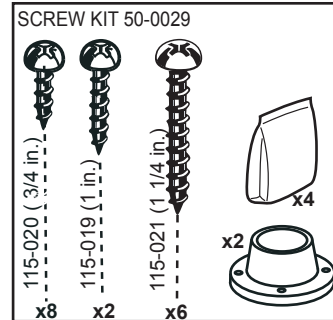
## WARNING

- ▶ Do not dive or jump from step or ladder.
- ▶ Use BATTERY operated tools to avoid electric shocks.
- ▶ Install the pool step on a flat surface.
- ▶ Remove step from pool during freezing climate season.
- ▶ Manufacturer cannot be held responsible for injuries caused by abusive use of product.
- ▶ Ask your city about specific regulations that apply to your above ground pool and ladder.

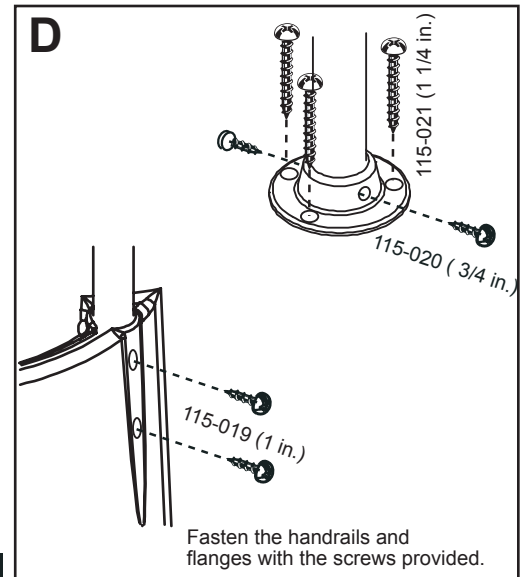
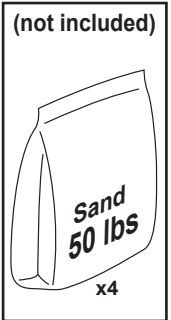
### Tools required (not included)



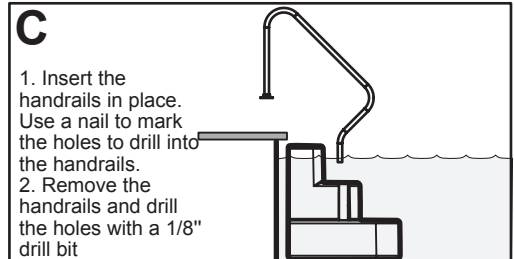
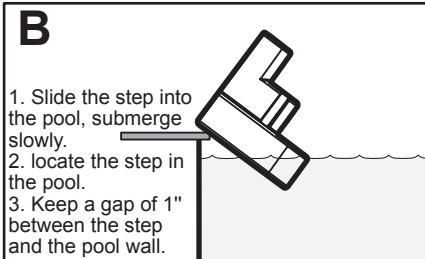
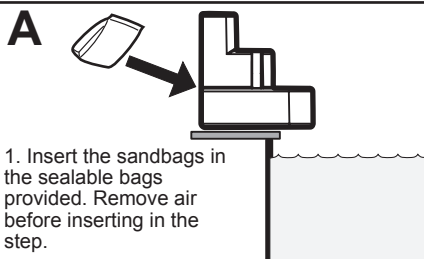
### Contents hardware bag



### Sand



## STEP INSTALLATION



## ACCESS

250, Boul. Industriel  
St- Germain de Grantham  
QC, J0C 1K0

WWW.INNOVAPLAS.COM



### MANUFACTURER WARRANTY

**1 year on the pool step.  
1 year on the hardware.**

REV. 02/04/2010

PN: ACC-ING

PG:1