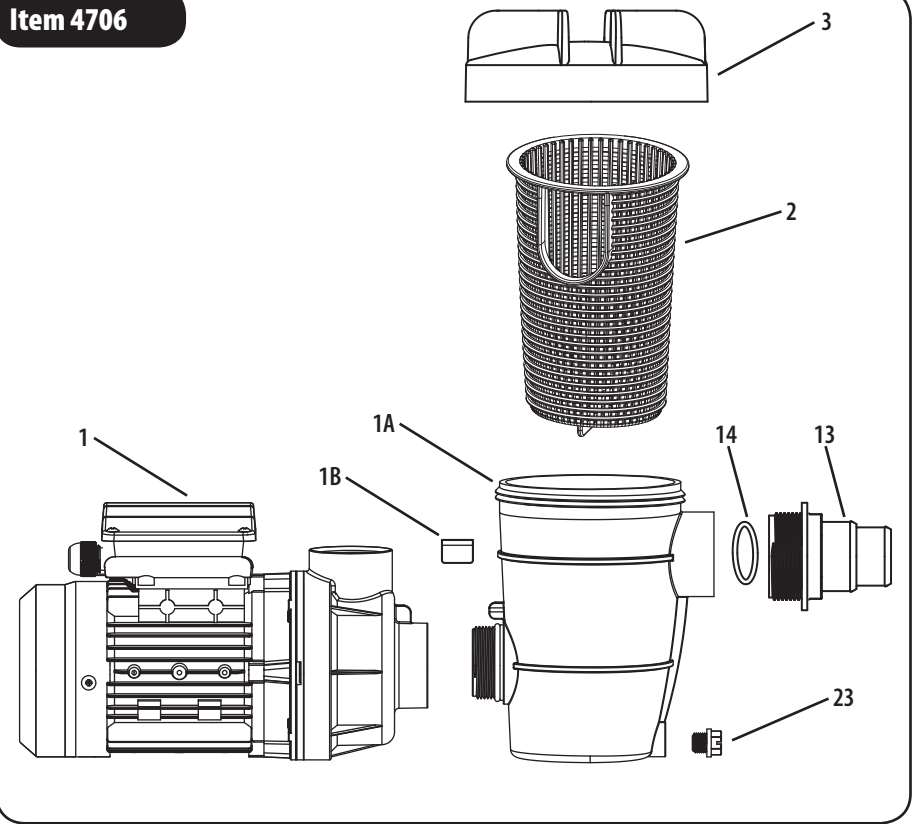


13. APPENDIX: EXPLODED PARTS DIAGRAM

Key	Part Name	Qty
1	Pump	1
1A	Strainer Housing (model 4706 only)	1
1B	Housing Clip (model 4706 only)	1
2	Strainer Basket	1
3	Strainer Lid	1
4	Filter tank	1
5	4 Way Valve	1
6	Base Plate	1
7	Flange Clamp	1
8	Drain Plug Assembly	1
9	Manifold	1
10	Tank Large O-Ring	1
11	Hose Clamp	2
12	Waste (Backwash) Plug	1
13	Hose Adapter	5
14	Hose Adapter O-Ring	3
15	Short Intex adapter	2
16	Short Intex Adapter Gasket	2
17	1 1/4" (32mm) Hose	1
18	Sand Shield	1
19	Pressure Gauge Plug	1
20	Pressure Gauge	1
21	Pump Mount Screw and Washer	4
22	Flange Screw & Nut	2
23	Pump Drain Plug & Gasket	1

Item 4706



Items 4710, 4711 & 4728

