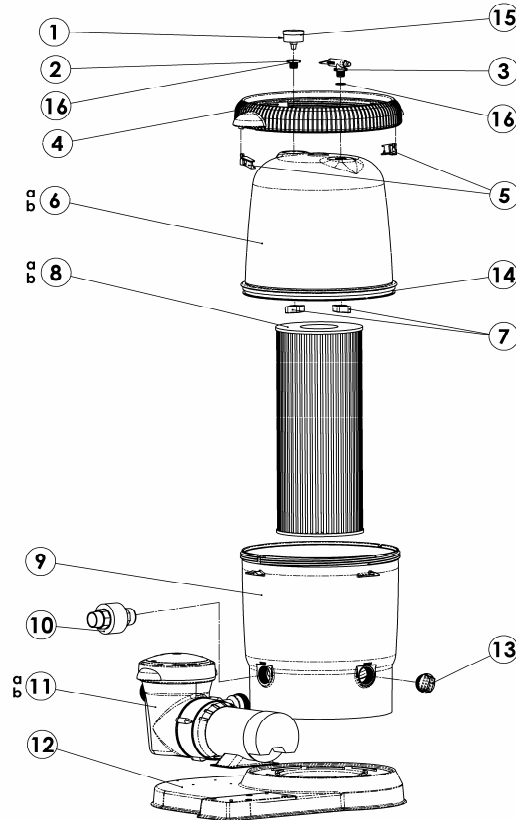


Replacement Parts

Parts Diagram



Parts Listing

Ref. No.	Part No.	Description	Ctn. Qty.	No. Req'd
1	ECX27091	Pressure Gauge	10	1
2	CCX1000L	Threaded Adapter for Pressure Gauge	10	1
3	CCX1000V	Air Relief Assembly with 'O' Ring	10	1
4	CCX1000D	Lock Ring Assembly with Latches	1	1
5	CCX1000H	Lock Ring Latch	10	2
6a	CCX1000C	Filter Lid with Lock Ring, 100 sq. ft.	1	1
6b	CCX1500C	Filter Lid with Lock Ring, 150 sq. ft.	1	1
7	CCX1000N	Adapter Nut	10	2
8a	CCX1000RE	Cartridge Element, 100 sq. ft.	1	1
8b	CCX1500RE	Cartridge Element, 150 sq. ft.	1	1
9	CCX1000B	Filter, Lower Body	1	1
10	SP1480BLK	Self Aligning Union, Black	50	1
11a	SP1592	1 HP Power-Flo Matrix Pump	1	1
11b	SP1593	1-1/2 HP Power-Flo Matrix Pump	1	1
12	CCX1000A	Base, Standard	1	1
13	SP1022CBLK	Drain Plug with 'O' Ring	100	1
14	CCX1000G	Body O-ring	2	1
15	SPX1500W	Pressure Gauge 'O' Ring	10	1
16	CCX1000Z5	'O' Rings for Gauge Adapter & Air Relief (Set of 2)	10	1