



HAYWARD®

092583 RevA

Salt & Swim™

Chlorine Generator for Above Ground
Swimming Pools up to 23,000 gallons (87,000L)

Owner's Manual



Contents

Introduction.....	1
Installation.....	2
Operation.....	13
Troubleshooting.....	15
Warranty.....	19

SAS-ABG-CUL

Hayward Pool Products Canada
2880 Plymouth Drive, Oakville ON L6H 5R4
Haywardpool.ca

USE ONLY HAYWARD GENUINE REPLACEMENT PARTS



HAYWARD®

When installing and using this electrical equipment, basic safety precautions should always be followed, including the following:

- **READ AND FOLLOW ALL INSTRUCTIONS**

- TO REDUCE THE RISK OF DROWNING FROM HAIR AND BODY ENTRAPMENT, INSTALL A SUITABLY RATED SUCTION GUARD TO MATCH THE MAXIMUM FLOW RATE MARKED. ATTENTION : LES PRISES D'ASPIRATION DOIVENT ETRE EQUIPEES DE GRILLES CONVENANT AU DEBIT MAXIMAL INDIQUE.

- WARNING - To reduce the risk of injury, do not permit children to use this product unless they are closely supervised at all times.

- WARNING – Risk of Electric Shock. Connect only to a grounding type receptacle protected by a ground-fault circuit-interrupter (GFCI). Contact a qualified electrician if you cannot verify that the receptacle is protected by a GFCI.

- Do not bury cord. Locate cord to minimize abuse from lawn mowers, hedge trimmers, and other equipment.

- WARNING – To reduce the risk of electric shock, replace damaged cord immediately.

- WARNING – To reduce the risk of electric shock, do not use extension cord to connect unit to electric supply; provide a properly located outlet.

- “CAUTION: To reduce the risk of electric shock, install at least 10 feet (3 meters) horizontally from the inside walls of a pool or spa/hot tub. Do not use an extension cord.” ATTENTION : MAINTENIR UNE DISTANCE MINIMALE D'UN METRE, MESUREE DANS UN PLAN HORIZONTAL, ENTRE LE BASSIN ET LES APPAREILS ET COMMANDES.

- For Canadian Units: At least two lugs marked “BONDING LUGS” are provided on the external surface or on the inside of the supply terminal box or compartment. To reduce the risk of electric shock, connect the local common bonding grid in the area of the hot tub or spa to these terminals with an insulated or bare copper conductor not smaller than No. 6 AWG.

- **SAVE THESE INSTRUCTIONS**



HAYWARD®

Introduction

The Hayward Salt & Swim™ SAS-ABG-CUL is an automatic chlorine generation systems for Above Ground Pool sanitization. This model offers a standard blade type 120V linecord for power and PVC adapters for return jet mounting.

The Salt & Swim requires a low concentration of salt (sodium chloride) in the pool water. It automatically sanitizes your pool by converting the salt into free chlorine which kills bacteria and algae in the water. Chlorine will revert back to sodium chloride after killing bacteria. These reactions will continuously recycle virtually eliminating the need to add sanitizing chemicals to your pool.

The SAS-ABG-CUL can handle the purification needs of most residential swimming pools up to 23,000 gallons (87,000 liters). This unique low cost chlorine generator uses a replaceable electrolytic Cell that is designed to produce 155 lbs of 100% available chlorine over its lifetime.

Note that the actual amount of chlorination required to properly sanitize a pool varies due to bather load, rainfall, temperature, and the pool's cleanliness.

NOTE: Before installing this product as part of a saline water purification system in a pool or spa using natural stone for coping or for immediately adjacent patios/decking, a qualified stone installation specialist should be consulted regarding the appropriate type, installation, sealant (if any) and maintenance of stone used around a saline pool with electronic chlorine generator in your particular location and circumstances.

NOTE: The use of dry acid (sodium bisulfate) to adjust pool pH is discouraged especially in arid regions where pool water is subject to excessive evaporation and is not commonly diluted with fresh water. Dry acid can cause a buildup of by-products that can damage your chlorinator Cell.

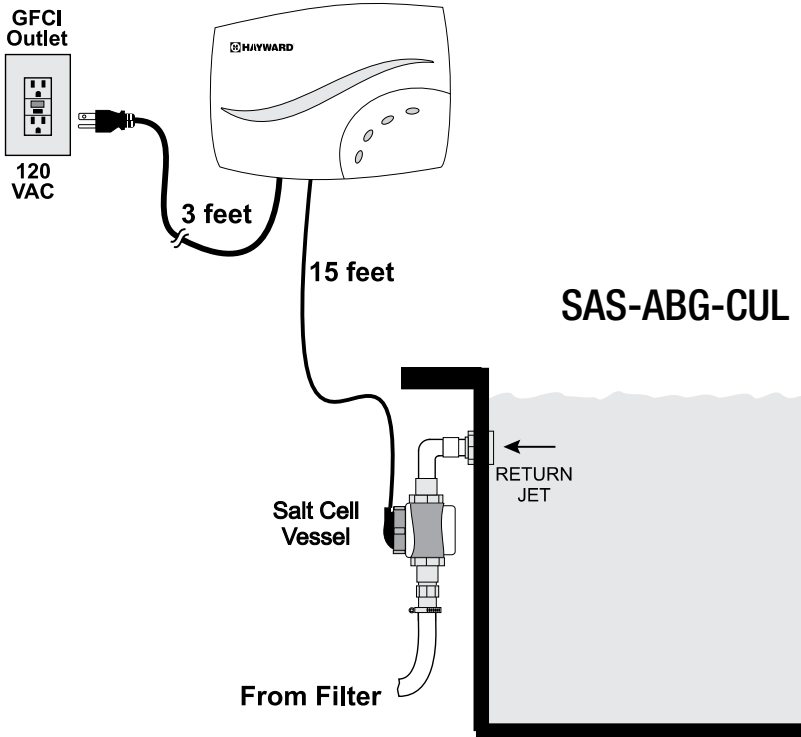


HAYWARD®

Installation

Remove power to the pool filter pump before starting this installation. Installation must be performed in accordance with Local and NEC codes. The Control Box must be mounted a minimum of 5 ft. (2 meters) horizontal distance (or more if local codes require) from the pool. Take care to protect the Cell Cap connector pins while handling the Salt & Swim unit during installation. If the supply cord is damaged, it must be replaced by the manufacturer, its service agent or similarly qualified persons in order to avoid a hazard.

Overview





HAYWARD®

Preparing Pool Water

To prepare the pool water for Salt & Swim operation, the pool's chemistry must be balanced and salt must be added. This must be done **BEFORE** activating the Salt & Swim. Some adjustments to your pool chemistry may take several hours, so start the procedure well before you intend to operate the Salt and Swim.

To prepare your pool water, follow the instructions on the included Pool Chemistry Quick Start Guide and refer to page 8 of this manual.

Adding Salt: Add salt several hours or, if possible, 1 day prior to operating the Salt & Swim. Take care not to exceed the recommended salt level. Measure salt 6-8 hours after adding to the pool.

NOTE: If the pool does not have new water, add 1 quart (1 liter) of metal remover and 1 quart (1 liter) of non-copper based algaecide to the pool, per manufacturer's instructions. This ensures a quick, troublefree transfer to the Salt & Swim system.

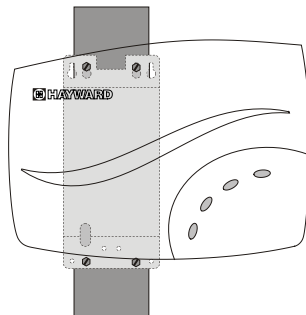
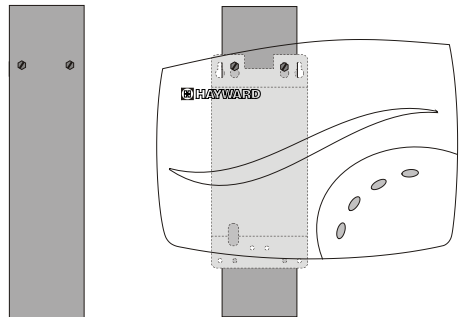
Mounting the Salt & Swim Control Box

The Salt & Swim is contained in a raintight enclosure that is suitable for outdoor mounting. The Control Box uses a 3 ft linecord that must plug into a GFCI protected outlet. The Cell must be installed within 15 ft of the Control Box using the attached cable.

The Control Box is designed to mount vertically on a flat surface with the cables facing downward. Because the enclosure also acts as a heat sink (disperses heat from inside the box), it is important not to block the four sides of the Control Box. Do not mount Salt & Swim inside a panel or tightly enclosed area.

Before securing the Control Box to the intended location, make sure that the power cord will reach the GFCI protected outlet and that the Cell cable will reach the location where the Cell Vessel will be installed. Refer to the diagram below.

Screw in top fasteners leaving 1/8" space between screw head and surface Hang Control on fasteners



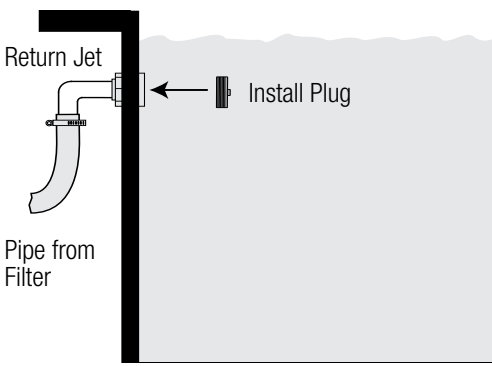
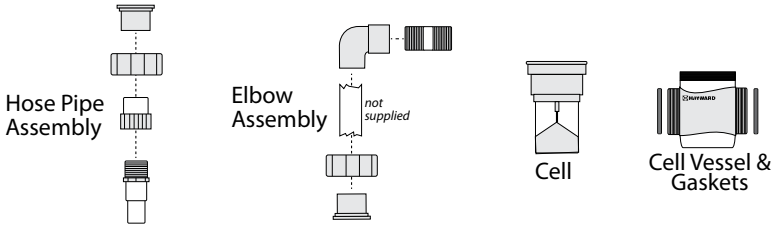
Screw in bottom fasteners securely.



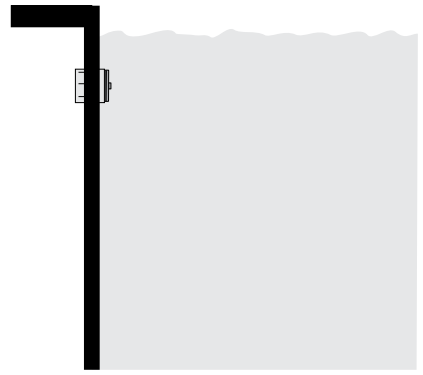
HAYWARD®

Plumbing

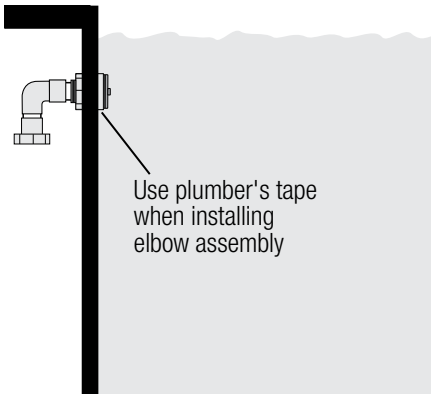
The Cell is designed to install in the return jet fitting on the pool wall using the supplied parts. Refer to the following instructions.



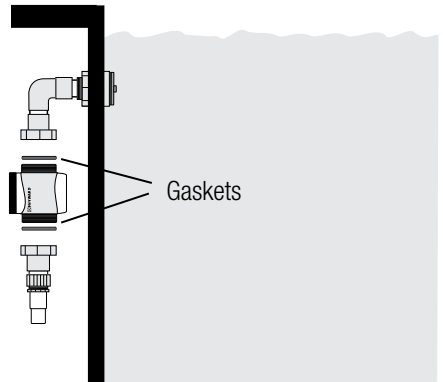
1. Install plug in return jet to prevent water flow.



2. Drain water from pool piping. Remove flex pipe and fitting from the return jet.



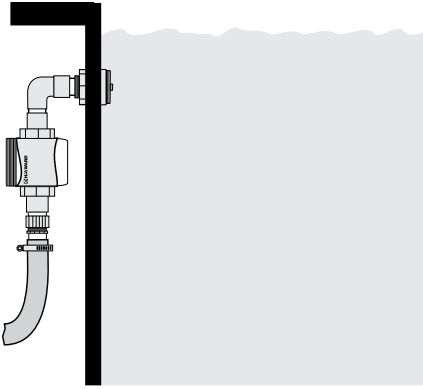
3. Screw the Elbow Assembly into the return jet using plumber's tape on the threads.



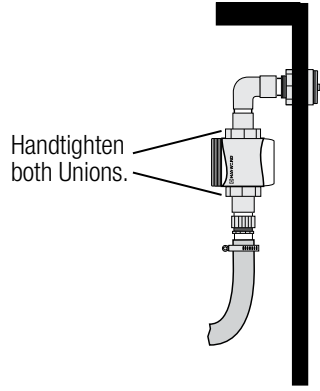
4. Using the supplied gaskets, attach the Cell Vessel to the Elbow Assembly and Hose Pipe Assembly. Do not tighten.



HAYWARD®

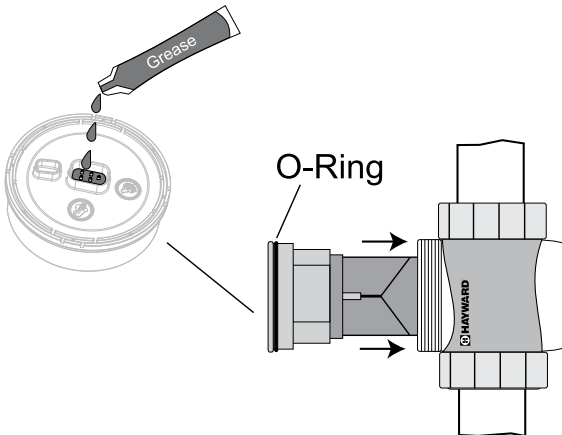


5. With the Hose Clamp already on the flexible pipe, slip the pipe on to the Hose Pipe Assembly as shown. Tighten the Hose Clamp firmly.



6. Position the Vessel in a manner where the Cell can be easily inserted and removed. Secure the Vessel by handtightening both Unions.

Remove the foam protector from the Cell. Fully cover Cell pins with the supplied grease. Verify that the O-ring is attached to the Cell before inserting the Cell into the Cell Vessel as shown.

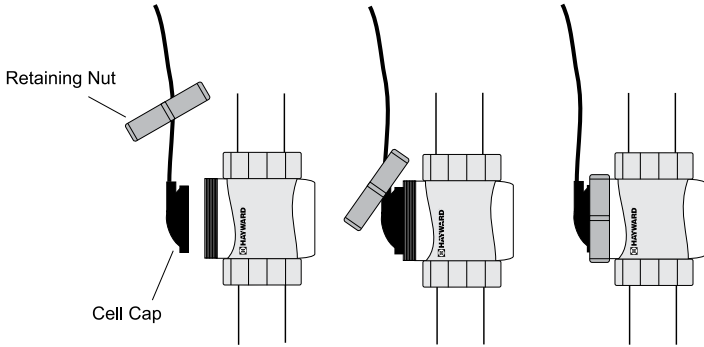




HAYWARD®

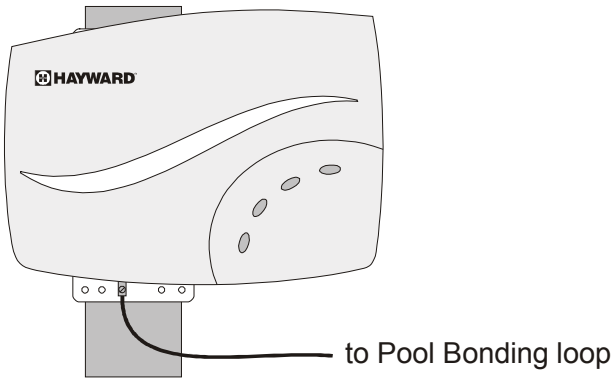
Connect and Fasten Cell Cap

Slip the Cell Cap through the Retaining Nut as shown below. Plug the Cell Cap into the Cell and secure with the Retaining Nut. Run the pump for 5 minutes and check for leaks.



Bonding

Pool bonding or "equipotential bonding" ensures that all pool components around the pool are at the same electrical potential. If bonding is required at your location (see Local and NEC codes), a bonding lug is provided at the bottom of the Salt & Swim enclosure. Run an eight gauge (8 AWG) solid copper wire from the bonding lug to your pool's existing bonding loop.





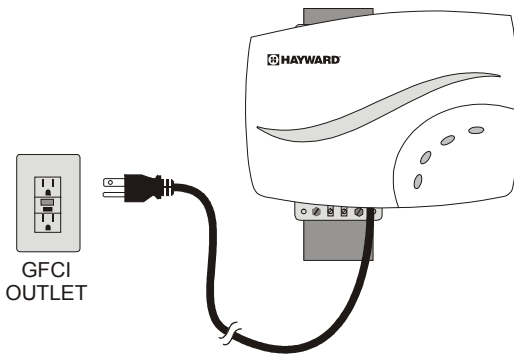
HAYWARD®

Flow Switch Calibration Procedure

IMPORTANT: Before going any further, the pool water must be balanced and salt must be added to your pool. If this has not already been done, refer to the included Chemistry Quick Start Guide as well as the "Water Chemistry" section of this manual for information on how to prepare your pool water for Salt & Swim operation.

At start-up, or when a new Cell is installed, the Salt & Swim will run a Flow Switch Calibration procedure to ensure that the Cell's flow switch is properly initialized. This will occur just once when a new Cell is installed. After the flow switch is initialized, the Salt & Swim will not perform this procedure again until the Cell is replaced. The Flow Switch Calibration procedure will require the user to cycle the pump on and off. Follow the instructions below:

1. Turn the filter pump OFF.
2. Plug the Salt & Swim's linecord into a ground fault circuit interrupter (GFCI) safety outlet or an outlet protected by a ground fault circuit breaker (GFCB). Follow Local and National codes.



After being powered on for the first time, the Salt & Swim will run a diagnostic routine which can take up to 30 seconds. During this time, various LEDs will turn on and off. When finished, the Salt & Swim will display a blinking INADEQUATE WATER FLOW LED and a solid STANDING BY LED. Keep the Salt & Swim powered for the remainder of this procedure and go to Step 3.

3. Turn the filter pump ON. Make sure that full flow is achieved (no air in the system) and run the pump for at least 15 seconds.
4. Turn the filter pump OFF.
5. The Salt & Swim should now display a solid INADEQUATE WATER FLOW and a solid STANDING BY LED. The Flow Switch Calibration procedure is complete. You can now turn on your filter pump and begin normal operation.

If the INADEQUATE WATER FLOW LED is still blinking after performing this procedure, refer to the Troubleshooting section of this manual.

Water Chemistry

The table below summarizes the levels that are recommended by The Association of Pool and Spa Professionals (APSP). It is important to maintain these levels in order to prevent corrosion or scaling and to ensure maximum performance from your Salt & Swim chlorine generator. Have your water tested or use pool water test strips and refer to the Chemistry Quick Start Guide information on testing and adjusting your pool's water chemistry. Your Authorized Salt & Swim Dealer or most pool stores can provide you with the chemicals and procedures to adjust the water chemistry as well.

Note that pool water emanating from wells and municipal water supplies, along with the introduction of environmental contaminants, can contain chemistries that are deleterious to the life expectancy of the Cell.

CHEMICAL	IDEAL LEVELS
Salt	2700 to 3400 ppm
Free Chlorine	1.0 to 3.0 ppm
pH	7.2 to 7.6
Cyanuric Acid (Stabilizer)	20 to 30 ppm (if necessary)
Total Alkalinity	80 to 120 ppm
Calcium Hardness	125 to 250 ppm
Metals	0 ppm
Saturation Index	-.2 to .2 (0 best)

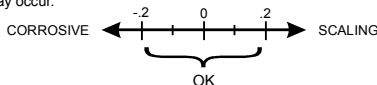
Saturation index

The saturation index (Si) relates to the calcium and alkalinity in the water and is an indicator of the pool water "balance". Your water is properly balanced if the Si is $0 \pm .2$. If the Si is below -0.2 , the water is corrosive and plaster pool walls will be dissolved into the water. If the Si is above $+0.2$, scaling and staining will occur. Use the chart below to determine the saturation index.

$$Si = pH + Ti + Ci + Ai - 12.1$$

°C	°F	Ti	Calcium Hardness	Ci	Total Alkalinity	Ai
12	53	.3	75	1.5	75	1.9
16	60	.4	100	1.6	100	2.0
19	66	.5	125	1.7	125	2.1
24	76	.6	150	1.8	150	2.2
29	84	.7	200	1.9	200	2.3
34	94	.8	250	2.0	250	2.4
39	103	.9	300	2.1	300	2.5
			400	2.2	400	2.6
			600	2.4	600	2.8
			800	2.5	800	2.9

How to use: Measure pool pH, temperature, calcium hardness, and total alkalinity. Use the chart above to determine Ti, Ci, and Ai from your measurements. Insert values of pH, Ti, Ci and Ai into the above equation. If Si equals .2 or more, scaling and staining may occur. If Si equals -0.2 or less corrosion or irritation may occur.





Salt Level

Use the chart on page 10 to determine how much salt in pounds or (Kgs) need to be added to reach the recommended levels. Use the tables below (measurements are in feet/gallons and meters/liters) if pool size is unknown.

Round Above Ground Pools (Diameter)

15 ft	5,310 gallons
18 ft	7,640 gallons
21 ft	10,400 gallons
24 ft	13,600 gallons
27 ft	17,200 gallons
28 ft	18,500 gallons
30 ft	21,420 gallons

Oval Above Ground Pools

12' x 24'	4,500 gallons
15' x 24'	9,650 gallons
15' x 25'	10,050 gallons
15' x 30'	12,060 gallons
16' x 24'	10,290 gallons
16' x 32'	13,720 gallons
18' x 33'	15,900 gallons
18' x 36'	17,370 gallons

	Gallons (pool size in feet)	Liters (pool size in meters)
Rectangular	Length x Width x Average Depth x 7.5	Length x Width x Average Depth x 1000
Round	Diameter x Diameter x Average Depth x 5.9	Diameter x Diameter x Average Depth x 785
Oval	Length x Width x Average Depth x 6.7	Length x Width x Average Depth x 893

The recommended salt level is between 2700-3400 ppm (parts per million) with 3200 ppm being ideal. If the level is low, determine the number of gallons in the pool and add salt according to the chart on page 10. A low salt level will reduce the efficiency of the Salt & Swim and result in low chlorine production. A high salt level can cause the Salt & Swim to shut down and may begin to give a salty taste to your pool (generally, the salt will begin to be tasted at a level of about 3500-4000 ppm). The salt in your pool is constantly recycled and the loss of salt throughout the swimming season should be small. This loss is due primarily to the addition of water because of splashing, backwashing, or draining (because of rain). Salt is not lost due to evaporation.

Type of Salt to Use

It is important to use only sodium chloride (NaCl) salt that is greater than 99% pure. This is common food quality or water softener salt and is usually available in 40-80 lb. bags labeled "Coarse Solar Salt" or "Pool Salt". It is also acceptable to use water conditioning salt pellets, however, it will take longer for them to dissolve. Do not use rock salt, salt with yellow prussiate of soda, salt with anti-caking additives, or iodized salt.

How to Add or Remove Salt

For new plaster pools, wait 10-30 days (check with you local pool professional) before adding salt to allow the plaster to cure. Turn the circulating pump on and add salt directly into the pool. Brush the salt around to speed up the dissolving process--do not allow salt to pile up on the bottom of the pool. Run the filter pump for 24 hours with the suction coming from the main drain (use pool vac if there is no main drain) to allow the salt to evenly disperse throughout the pool.



HAYWARD®

The only way to lower the salt concentration is to partially drain the pool and refill with fresh water.

Always check stabilizer (cyanuric acid), when checking salt. These levels will most likely decline together. Use the chart on page 11 to determine how much stabilizer must be added to raise the level to 30 ppm.

POUNDS and (Kg) of SALT NEEDED FOR 3200PPM

Current salt level ppm	Gallons and (Liters) of Pool Water								
	8,000 (30,000)	10,000 (37,500)	12,000 (45,000)	14,000 (52,500)	16,000 (60,000)	18,000 (67,500)	20,000 (75,000)	22,000 (82,500)	23,000 (86,000)
0	213 (97)	267 (121)	320 (145)	373 (170)	427 (194)	480 (218)	533 (242)	587 (267)	613 (279)
200	200 (91)	250 (114)	300 (136)	350 (159)	400 (182)	450 (205)	500 (227)	550 (250)	575 (261)
400	187 (85)	233 (106)	280 (127)	327 (148)	373 (170)	420 (191)	467 (212)	513 (233)	536 (244)
600	173 (79)	217 (98)	260 (118)	303 (138)	347 (158)	390 (177)	433 (197)	477 (217)	498 (228)
800	160 (73)	200 (91)	240 (109)	280 (127)	320 (145)	360 (164)	400 (182)	440 (200)	460 (209)
1000	147 (67)	183 (83)	220 (100)	257 (117)	293 (133)	330 (150)	367 (167)	403 (183)	422 (192)
1200	133 (61)	167 (76)	200 (91)	233 (106)	267 (121)	300 (136)	333 (152)	367 (167)	382 (175)
1400	120 (55)	150 (68)	180 (82)	210 (95)	240 (109)	270 (123)	300 (136)	330 (150)	345 (157)
1600	107 (48)	133 (61)	160 (73)	187 (85)	213 (97)	240 (109)	267 (121)	293 (133)	307 (139)
1800	93 (42)	117 (53)	140 (64)	163 (74)	187 (85)	210 (95)	233 (106)	257 (117)	268 (125)
2000	80 (36)	100 (45)	120 (55)	140 (64)	160 (73)	180 (82)	200 (91)	220 (100)	230 (104)
2200	67 (30)	83 (38)	100 (45)	117 (53)	133 (61)	150 (68)	167 (76)	183 (83)	192 (87)
2400	53 (24)	67 (30)	80 (36)	93 (42)	107 (48)	120 (55)	133 (61)	147 (67)	154 (70)
2600	40 (18)	50 (23)	60 (27)	70 (32)	80 (36)	90 (41)	100 (45)	110 (50)	115 (53)
2800	27 (12)	33 (15)	40 (18)	47 (21)	53 (24)	60 (27)	67 (30)	73 (33)	77 (35)
3000	13 (6)	17 (8)	20 (9)	23 (11)	27 (12)	30 (14)	33 (15)	37 (17)	39 (18)
3200	Ideal	Ideal	Ideal	Ideal	Ideal	Ideal	Ideal	Ideal	Ideal
3400	OK	OK	OK	OK	OK	OK	OK	OK	OK
3600+	Dilute	Dilute	Dilute	Dilute	Dilute	Dilute	Dilute	Dilute	Dilute



HAYWARD®

POUNDS and (Kg) OF STABILIZER (CYANURIC ACID) NEEDED FOR 30 PPM

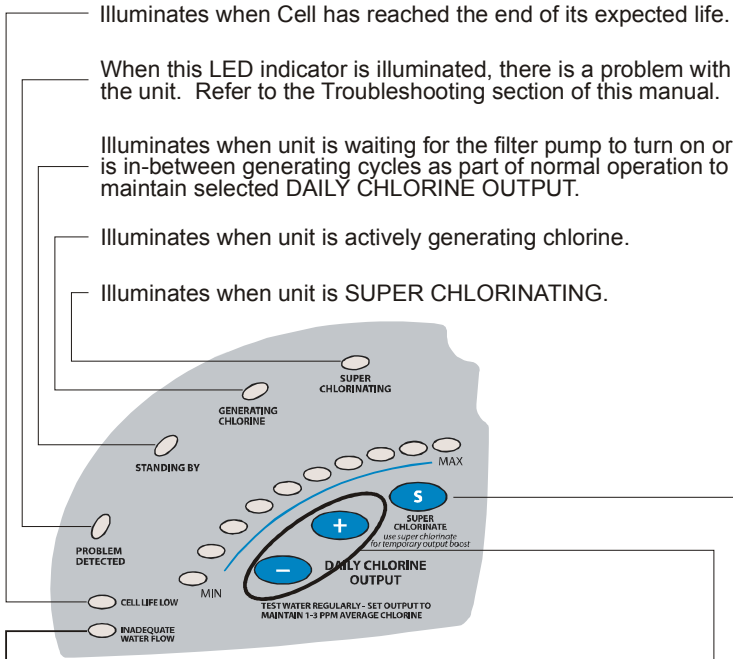
Current Stabilizer Level (ppm)	Gallons and (Liters) of Pool/Spa water										
	8,000 (30000)	10,000 (37500)	12,000 (45000)	14,000 (52500)	16,000 (60000)	18,000 (67500)	20,000 (75000)	22,000 (82500)	23,000 (86000)		
0 ppm	2.0 (.9)	2.5 (1.1)	3.0 (1.3)	3.5 (1.5)	4.0 (1.8)	4.5 (2.0)	5.0 (2.2)	5.5 (2.4)	5.75 (2.6)		
10 ppm	1.8 (.8)	2.2 (1.0)	2.6 (1.2)	3.0 (1.3)	3.4 (1.5)	3.8 (1.7)	4.3 (2.0)	4.8 (2.2)	5.0 (2.3)		
20 ppm	1.5 (.7)	1.9 (.9)	2.3 (1.0)	2.6 (1.2)	3.0 (1.4)	3.3 (1.5)	3.8 (1.7)	4.1 (1.8)	4.4 (1.9)		



Operation

Controls

The main controls and indicators are shown below.



ILLUMINATES when there is no flow or low flow through the Cell. The pool filter pump could be in its "off" cycle. If this is not the case, refer to the Troubleshooting section in this manual.

Blinks when performing the Flow Switch Calibration procedure.

Press (+) and (-) to increase or decrease the chlorine generation. The DAILY CHLORINE OUTPUT LEDs above these buttons will indicate the relative amount of chlorine being generated.

When you have an abnormally high bather load, a large amount of rain, a cloudy water condition, or any other condition which requires a large amount of purification to be introduced, press the SUPER CHLORINATING button. This electronically "super chlorinates" (boosts chlorine generation output) the water for 24 hours (filter pump must be on during this time). To cancel super chlorinating, press the SUPER CHLORINATING button again.



HAYWARD®

Operation

The Salt & Swim does not have an ON/OFF switch. The unit is designed to be plugged into a GFCI rated outlet at all times. There should be no need to remove power from the Salt & Swim unless pool components are being serviced or the pool will be closed.

When power is first applied to the Salt & Swim, an initialization routine will run for approximately 30 seconds. During this time, various LEDs will illuminate. This is perfectly normal and does not require any input from the user. When the routine is finished, the Salt and & Swim will begin normal operation.

If the water chemical levels are in the recommended range, there are three factors that you can control which directly contribute to the amount of chlorine the Salt & Swim will generate:

1. filter time each day (hours)
2. the DAILY CHLORINE OUTPUT setting
3. the amount of salt in the pool

The filter pump timer should be set so that all of the water in the pool passes through the filter at least once each day. For pools with high chlorine demand, the timer may have to be set longer to generate enough chlorine.

Daily Chlorine Output Setting

You can adjust the amount of chlorine that is generated using the "+" and "-" button on the Salt & Swim unit. The DAILY CHLORINE OUTPUT LEDs will display the current setting. Push "+" to increase and "-" to decrease the current setting. Each DAILY CHLORINE OUTPUT LED represents 6 minutes of chlorine generation out of 1 hour. For example, if 5 LEDs are illuminated, the Salt & Swim unit will generate chlorine for $5 \times 6 = 30$ minutes out of every hour of operation. During this time, the GENERATING CHLORINE LED will be lit. The unit will be idle for the remaining 30 minutes at which time the GENERATING CHLORINE LED will turn off and the STANDING BY LED will illuminate.

To find the optimum setting, start the operation with 5 DAILY CHLORINE OUTPUT LEDs illuminated. Test the chlorine level every few days and adjust up or down accordingly. It usually takes 2-3 adjustments to find the ideal setting for your pool and after that, it should only take minor, infrequent adjustments. Because the chlorine demand of the pool increases with temperature, most people find they have to adjust up at the peak of the summer and down during colder periods. The Salt & Swim automatically scales back to 12 minutes of output per hour (if set higher than 12 minutes) when the pool water is 50° - 60°F. This protects the unit as well as prevents possible over-chlorination. The Salt & Swim stops generating when the pool water temperature drops below 50°F. This is usually not a problem because bacteria and algae stop growing at this temperature. You can override these automatic low temperature operations by switching to SUPER CHLORINATE for a day.

NOTE: After the ideal DAILY CHLORINE OUTPUT setting has been found, you may need to raise the setting when the pool water temperature increases significantly, when there is higher than normal bather load or when the Salt & Swim Cell ages. You may need to lower the setting when the pool water temperature decreases significantly or there are long periods of inactivity.



HAYWARD®

Prevent over-chlorination during cold weather: Check chlorine levels periodically. Most pools require less chlorine during cold weather and the DAILY CHLORINE OUTPUT should be lowered accordingly.

Maintaining the Salt & Swim System

The replaceable Cell uses the same electronic self cleaning technology as the popular Hayward Turbo Cell. In most cases this self cleaning action will keep the Cell working at optimum efficiency. In areas where water is hard (high mineral content) and in pools where the water chemistry has been allowed to get "out of balance," the Cell may require periodic cleaning.

Servicing and Cleaning the Salt & Swim Cell

Unplug the Salt & Swim from the GFCI outlet and remove power from the pump before attempting to remove the Cell. Unplug the Cell cord from the Cell. Remove the Cell from the Vessel by unscrewing the Retaining Nut and gently pulling the Cell out of Vessel. Once removed, look inside the Cell and inspect for scale formation (light colored crusty or flaky deposits) on the plates and for any debris which has passed through the filter and caught on the plates. If no deposits are visible, reinstall. If deposits are seen, use a high pressure garden hose and try to flush the scale off. If this is not successful, use a plastic or wood tool (do not use metal as this will scratch the coating off the plates) and scrape deposits off of plates. Note that a buildup on the Cell indicates that there is an unusually high calcium level in the pool (old pool water is usually the cause). If this is not corrected, you may have to periodically clean the Cell. The simplest way to avoid this is to bring the pool chemistry to the recommended levels as specified.

Mild Acid Washing: Use only in severe cases where flushing and scraping will not remove the majority of deposits. To acid wash, mix a 4:1 solution of water to muriatic acid (one gallon of water to one quart of muriatic acid) in a clean plastic container. ALWAYS ADD ACID TO WATER - NEVER ADD WATER TO ACID. Be sure to wear rubber gloves and appropriate eye protection. Place the Cell in the container. The solution should reach the top of the Cell so that the cylindrical electronics compartment is not submerged. Soak the Cell for a few minutes and then rinse with a high pressure garden hose. If any deposits are still visible, repeat soaking and rinsing. Replace Cell and inspect again periodically.

Winterizing

The Salt & Swim replaceable Cell will be damaged by freezing water just as your pool plumbing would. In areas of the country which experience severe or extended periods of freezing temperatures, be sure to drain all water from the pump, filter, and supply and return lines before any freezing conditions occur. The Control Box and plumbed in Cell Vessel are capable of withstanding any winter weather and should not be removed.

Spring Start-up

DO NOT turn the Salt & Swim on until the pool water chemistry has been brought to the proper levels. This information can be found on page 8.



HAYWARD®

Troubleshooting

Visit Haywardpool.ca for helpful information on operation, maintenance and troubleshooting your Salt & Swim Electronic Chlorine Generator.

Common Problems and Solutions

The Salt & Swim's various LEDs show the operation status as well as alert the user to any problems that may have occurred. Some indications may require a combination of LEDs to illuminate. To aid in interpreting these indications, Hayward has created an interactive tool located on the Salt and Swim product page at Haywardpool.ca. Use this tool and the information below to identify and correct problems that may arise.

1. Possible causes of little or no free chlorine residual

- DAILY CHLORINE OUTPUT adjustment setting is too low
- Low stabilizer (Cyanuric Acid)
- Filter pump time too short (8 hours for average size pools, more for large pools)
- Salt level too low (below 2400 ppm)
- Salt level too high
- Very warm pools increase chlorine demand--increase Output %, or filter run time
- Cold water below 50°F causes Salt & Swim to stop generating
- Cold water between 50°F - 60°F causes Salt & Swim to reduce output regardless of DAILY CHLORINE OUTPUT setting
- Excessive scaling on Cell.
- High level of Nitrogen in pool water.
- "Yellow Out" or similar treatment recently used. Some yellow algae treatments will use chlorine at a very high rate and deplete the residual free chlorine. Manually shock the pool if indicated in the directions on the algae treatment. It still may be a matter of days before the pool returns to "normal" and chlorine tests will show the desired 1-3ppm free chlorine reading.

2. LEDs not on

Depending on current conditions, there should always be at least one LED illuminated when the Salt & Swim is powered. If no LEDs are on, check to make sure that the linecord is plugged in and that the GFCI outlet is powered. If no power is detected, the GFCI may have to be reset.

3. STANDING BY LED blinking

The Salt & Swim has shut down because the temperature of the pool/spa water is too high (120°F) or too low (50°F). The system will not resume operation until the water temperature returns to normal. Note: This condition can sometimes happen if the pool/spa temperature is already high and the heater is running. The temperature coming out of the heater and into the Cell could possibly be high enough to shut down the Salt & Swim.

4. INADEQUATE WATER FLOW LED illuminated

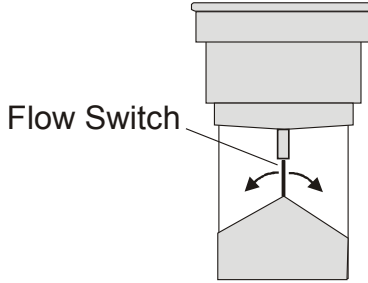
The Salt & Swim has sensed a low flow or no flow condition and has stopped generating chlorine.

- Verify that the filter pump is running and there are no obstructions or restrictions in the pool plumbing.
- Backwash the pool filter.
- Increase the speed of your variable speed pump



HAYWARD®

If the condition persists, remove the Cell from the Vessel and check that the flow switch is free to move in both directions. Refer to the diagram below.



5. CELL LIFE LOW LED illuminated

The Cell has reached the end of its life. Replace as soon as possible.

6. PROBLEM DETECTED LED illuminated AND MAX LED blinking

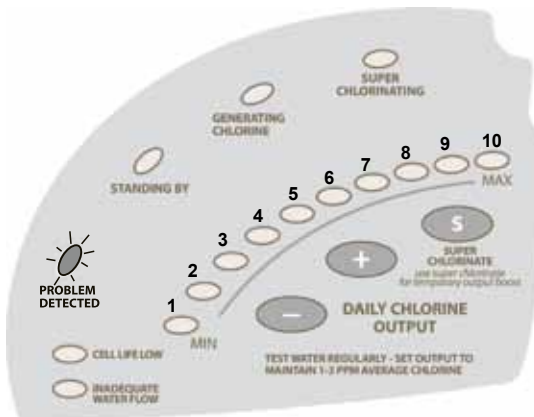
There is a communication error with the Cell. Check that the Cell cap is properly plugged in and that the wire to the Control Box is not cut or damaged.

7. PROBLEM DETECTED LED illuminated AND MIN LED blinking

- The salt level may be too low. Adjust salt to recommended levels.
- Remove and inspect the Cell for scale. If the Cell is scaled, follow the directions on page 14 for Cell cleaning.

8. PROBLEM DETECTED LED illuminated AND a DAILY CHLORINE OUTPUT LED is blinking

The Salt & Swim may display an error by illuminating the PROBLEM DETECTED LED and blinking one of the DAILY CHLORINE OUTPUT LEDs. There are ten DAILY CHLORINE OUTPUT LEDs that each indicate a different error. These LEDs are labeled with a number on the diagram below. Refer to the table for their corresponding errors.





LED BLINKING

POSSIBLE ACTIONS

MIN LED or LED 2	<ol style="list-style-type: none"> 1. Recycle power to the Salt & Swim by unplugging the linecord for two minutes and then plugging it back in. 2. Inspect the Cell. If dirty, follow the Cell cleaning procedure. 3. Check the salt level in the pool and verify the salt level is greater than 2600ppm but also less than 3400ppm. 4. Inspect the Cell Vessel and verify the Cell plates are fully covered by moving water. 5. Contact Hayward Technical Service.
LED 3	<ol style="list-style-type: none"> 1. Recycle power to the Salt & Swim by unplugging the linecord for two minutes and then plugging it back in. 2. Verify that the Salt & Swim is receiving 120VAC input. 3. Contact Hayward Technical Service.
LED 4	<ol style="list-style-type: none"> 1. Recycle power to the Salt & Swim by unplugging the linecord for two minutes and then plugging it back in. 2. Contact Hayward Technical Service.
LED 5 or LED 6	<ol style="list-style-type: none"> 1. Recycle power to the Salt & Swim by unplugging the linecord for two minutes and then plugging it back in. 2. Check that the salt level in the pool is no greater than 3400ppm and/or the temperature does not exceed 104F. 3. Inspect the Cell Vessel and verify the cell plates are fully covered by moving water. 4. Contact Hayward Technical Service.
LED 7	<ol style="list-style-type: none"> 1. Recycle power to the Salt & Swim by unplugging the linecord for two minutes and then plugging it back in. 2. Contact Hayward Technical Service.
LED 8	<ol style="list-style-type: none"> 1. Recycle power to the Salt & Swim by unplugging the linecord for two minutes and then plugging it back in. 2. Inspect the Cell. If dirty, follow the Cell cleaning procedure. 3. Inspect the Cell Vessel and verify the cell plates are fully covered by moving water. 4. Inspect the cable that connects the cell to the system. Make sure the cable is secure and undamaged. 5. Contact Hayward Technical Service.
LED 9	<ol style="list-style-type: none"> 1. Recycle power to the Salt & Swim by unplugging the linecord for two minutes and then plugging it back in. 2. Contact Hayward Technical Service.
MAX LED	<ol style="list-style-type: none"> 1. Recycle power to the Salt & Swim by unplugging the linecord for two minutes and then plugging it back in. 2. Inspect the cable that connects the cell to the system. Make sure the cable is secure and undamaged. 3. Contact Hayward Technical Service.
Inadequate Water Flow	<ol style="list-style-type: none"> 1. Recycle power to the Salt & Swim by unplugging the linecord for two minutes and then plugging it back in. 2. Perform "Flow Switch Calibration" procedure. 2. Contact Hayward Technical Service.
Standing By	<ol style="list-style-type: none"> 1. Recycle power to the Salt & Swim by unplugging the linecord for two minutes and then plugging it back in. 2. Check that the pool temperature is more than 50°F and less than 104°F. 2. Contact Hayward Technical Service.



HAYWARD®



HAYWARD®

LIMITED WARRANTY (effective 12/01/12) Hayward warrants its Salt & Swim chlorination products to be free of defects in materials and workmanship, under normal use and service as follows:

Control Box - 3 year limited warranty, parts only
SAS-CELL - 1 year limited warranty

Hayward warrants all accessories and other replacement parts for the above-identified chlorination products for a period of one (1) year.

Each of these warranties is not transferable and applies only to the original owner.

Proof of purchase is required for warranty service. If written proof of purchase is not provided, the manufacturing date code will be the sole determinant of the date of installation of the product. To obtain warranty service or repair, please contact the place of purchase or the nearest Hayward authorized warranty service center. For more information on authorized service centers please contact the Hayward Technical Service Support Center (61 Whitecap Road, North Kingstown RI, 02852) or visit the Hayward website at www.hayward.com.

WARRANTY EXCLUSIONS:

1. Damage resulting from improper installation including installation on pools larger than the product rating.
2. Problems resulting from failure to install, operate or maintain the product(s) in accordance with the recommendations contained in the owners manual(s).
3. Problems resulting from failure to maintain pool water chemistry in accordance with the recommendations in the owners manual(s).
4. Problems resulting from tampering, accident, abuse, negligence, unauthorized repairs or alternations, fire, flood, lightning, freezing, external water, degradation of natural stone used in or immediately adjacent to a pool or spa, war or acts of God.

DISCLAIMER. THE EXPRESS LIMITED WARRANTIES ABOVE CONSTITUTE THE ENTIRE WARRANTIES WITH RESPECT TO THE ABOVE-IDENTIFIED HAYWARD POOL AUTOMATION AND CHLORINATION PRODUCTS AND IS IN LIEU OF ALL OTHER WARRANTIES, EXPRESS OR IMPLIED, INCLUDING WARRANTIES OF MERCHANTABILITY OR FITNESS FOR A PARTICULAR PURPOSE. THESE WARRANTIES GIVE YOU SPECIFIC LEGAL RIGHTS, AND YOU MAY ALSO HAVE OTHER RIGHTS OF EQUIPMENT, LOST PROFITS OR REVENUE, COSTS OF RENTING REPLACEMENTS, AND OTHER ADDITIONAL EXPENSES, EVEN IF THE SELLER HAD BEEN ADVISED OF THE POSSIBILITY OF SUCH DAMAGES. SOME STATES DO NOT ALLOW THE EXCLUSION OF LIMITATION OF INCIDENTAL OR CONSEQUENTIAL DAMAGES, SO THE ABOVE LIMITATION OR EXCLUSION MAY NOT APPLY TO YOU.

NO WHOLESALER, AGENT, DEALER, CONTRACTOR OR OTHER PERSON IS AUTHORIZED TO PROVIDE, SUPPLEMENT OR MODIFY ANY WARRANTY ON BEHALF OF HAYWARD.

THESE WARRANTIES ARE VOID IF THE PRODUCT HAS BEEN ALTERED IN ANY WAY AFTER LEAVING THE FACTORY. FOR THE ABOVE-IDENTIFIED CHLORINATION PRODUCTS, THESE WARRANTIES ALSO ARE VOID IF, DURING THE WARRANTY PERIOD, YOU USE A REPLACEMENT CHLORINATOR CELL OTHER THAN AN UNMODIFIED, NEW HAYWARD CHLORINATOR CELL PURCHASED FROM HAYWARD. IF A WARRANTY BECOMES VOID, YOU STILL MAY PURCHASE SERVICE AND/OR TELEPHONE TECHNICAL SUPPORT AT THE THEN CURRENT TIME AND MATERIAL RATES.

FOR FURTHER INFORMATION OR CONSUMER
TECHNICAL SUPPORT, VISIT OUR WEBSITE AT
Haywardpool.ca



Hayward is a registered trademark and Salt and Swim
is a trademark of Hayward Industries, Inc. © 2014 Hayward Industries, Inc.

All other trademarks not owned by Hayward are the property of their respective owners.
Hayward is not in any way affiliated with or endorsed by those third parties.

USE ONLY HAYWARD GENUINE REPLACEMENT PARTS



HAYWARD®

092583F RevA

Salt & Swim™

Générateur de chlore pour piscines hors terre
plus 87 000 l (23 000 gallons)

Manuel d'utilisation



Contents

Introduction.....	1
Installation.....	2
Fonctionnement.....	12
Dépannage.....	15
Garantie.....	19

SAS-ABG-CUL

Hayward Pool Products Canada
288o Plymouth Drive, Oakville ON L6H 5R4
Haywardpool.ca



HAYWARD®

Lorsque vous installez et utilisez cet équipement électrique, les mesures de sécurité de base doivent toujours être respectées y compris les suivantes :

- **LIRE ET SUIVRE TOUTES LES INSTRUCTIONS**
- **AFIN DE RÉDUIRE LE RISQUE DE NOYADE PAR PIÉ-GEAGE DES CHEVEUX OU DU CORPS, INSTALLEZ DES GRILLES CONVENANT AU DÉBIT MAXIMAL INDIQUÉ SUR LES PRISES D'ASPIRATION.**
- **AVERTISSEMENT –** Pour réduire le risque de blessure, ne permettez pas aux enfants d'utiliser ce produit à moins qu'ils ne soient attentivement supervisés en tout temps.
- **AVERTISSEMENT –** Risque de choc électrique. Raccordez seulement à une prise dotée d'une mise à la terre et protégée par un disjoncteur de fuite à la terre (DDFT). Communiquez avec un électricien si vous êtes incapable de vérifier si la prise est protégée par un DDFT.
- **N'enterrez pas le cordon d'alimentation.** Placez le cordon d'alimentation de sorte qu'il ne soit pas endommagé par une tondeuse, un taille-haie ou tout autre équipement.
- **AVERTISSEMENT –** Pour réduire le risque de choc électrique, remplacez immédiatement le cordon d'alimentation s'il est endommagé.
- **AVERTISSEMENT –** Pour réduire le risque de choc électrique, n'utilisez pas une rallonge pour raccorder l'unité à l'alimentation électrique; assurez-vous d'installer une prise de courant à proximité.
- **MISE EN GARDE :** Pour réduire le risque de choc électrique, installez le chlorateur à une distance horizontale minimale de 3 m (10 pi) des parois intérieures de la piscine ou du spa. N'utilisez pas de rallonge.
- **Pour les unités vendues au Canada :** Au moins deux cosses identifiées « BONDING LUGS » sont installées sur la surface extérieure ou intérieure de la boîte de connexions ou sur le compartiment. Pour réduire le risque de choc électrique, raccordez les cosses à un treillis de commun local situé près de la piscine ou du spa à l'aide d'un conducteur de cuivre isolé ou nu d'au moins 6 AWG.
- **CONSERVEZ CES INSTRUCTIONS**



HAYWARD®

Introduction

Le chlorateur Salt & Swim^{MC} SAS-ABG-CUL sont de système de production automatique de chlore servant à l'assainissement de piscines hors terre. Le modèle SAS-ABG-CUL se raccorde à l'alimentation électrique par le biais d'un cordon d'alimentation de 120 V muni d'une fiche normale et doté d'adaptateurs en PVC permettant de le raccorder au jet de retour.

Pour fonctionner, le système Salt & Swim requiert une faible concentration de sel (chlorure de sodium) dans l'eau de la piscine. Ce système assainit automatiquement l'eau de la piscine en transformant le sel en chlore qui tue les bactéries et les algues présentes dans l'eau. Après avoir tué les bactéries, le chlore se transforme à nouveau en sel. Ces réactions cycliques éliminent presque entièrement la nécessité d'ajouter des produits chimiques assainissants à l'eau de votre piscine.

Le chlorateur Salt & Swim^{MC} SAS-ABG-CUL sont adéquats pour répondre aux besoins d'assainissement de la plupart des piscines résidentielles d'au plus 87 000 l (23 000 gallons). Durant leur vie utile, ces chlorateurs uniques et peu coûteux sont dotés d'une cellule électrolytique remplaçable conçue pour produire 70 kg (155 lb) de chlore 100 % disponible.

Sachez toutefois que la quantité de chlore requise pour assainir adéquatement l'eau de votre piscine varie selon le nombre de baigneurs, la quantité de pluie, la température et la propreté de la piscine.

REMARQUE : Avant d'installer ce produit comme composante d'un système de purification de l'eau au sel dans une piscine ou spa dont le chaperon est en pierre naturelle ou qui est situé directement à côté d'une terrasse, veuillez consulter un spécialiste de l'installation de pierres pour connaître quel type de pierres, d'installation, de scellant (le cas échéant) et d'entretien doit être utilisé et fait autour d'une piscine au sel dotée d'un chlorateur électronique, et ce, dans les conditions et l'environnement précis de votre arrière-cour.

REMARQUE : L'utilisation d'acide sec (bisulfate de sodium) pour ajuster le pH de l'eau d'une piscine est déconseillée particulièrement dans les régions arides là où l'eau subit une évaporation excessive et n'est pas souvent diluée avec de l'eau fraîche. L'utilisation d'acide sec peut causer l'accumulation de sous-produits qui peuvent endommager la cellule de votre chlorateur.

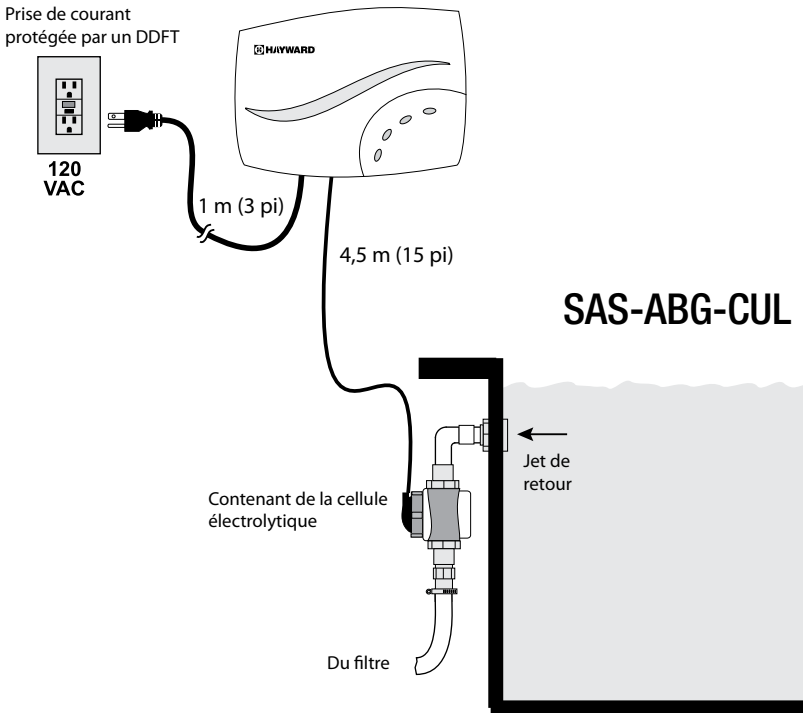


HAYWARD®

Installation

Avant de commencer cette installation, assurez-vous que la pompe du filtre est hors tension. L'installation doit être faite conformément aux codes locaux et au Code canadien de l'électricité (CCE). La boîte de commande doit être installée à moins de 1 m (3 pi) d'une prise de courant protégée par un DDFT et à moins de 4,5 m (15 pi) de l'endroit où se trouvera la cellule. Lorsque vous manipulez l'unité Salt & Swim durant l'installation, assurez-vous de protéger les broches de raccordement du couvercle de la cellule. Si le cordon d'alimentation est endommagé, il doit être remplacé par le fabricant, un réparateur autorisé ou une personne ayant des qualifications semblables afin d'éviter tout risque.

Aperçu





HAYWARD®

Préparer l'eau de la piscine

Pour préparer l'eau en vue de l'utilisation du système Salt & Swim, la chimie de l'eau doit être équilibrée et du sel doit être ajouté. Ceci doit être fait AVANT de démarrer le système Salt & Swim. Certains des ajustements à la chimie de l'eau requièrent plusieurs heures. Commencez donc à équilibrer la chimie de l'eau bien avant le moment où vous souhaitez faire fonctionner le système Salt & Swim.

Pour préparer l'eau de votre piscine, suivez les instructions fournies dans le Guide pour équilibrer la chimie de l'eau et consultez la page 8 de ce manuel.

Pour ajouter du sel : Ajoutez du sel plusieurs heures, voire même 1 jour avant de faire fonctionner le système Salt & Swim. Assurez-vous de ne pas ajouter trop de sel afin de ne pas dépasser la teneur en sel recommandée. Mesurez la teneur en sel de l'eau 6 à 8 heures après avoir ajouté le sel à l'eau de la piscine.

REMARQUE : Si la piscine ne contient pas de l'eau neuve, ajoutez 1 L (1 quart) de séquestrant de métaux et 1 L (1 quart) d'algicide sans cuivre à l'eau de la piscine en suivant les instructions du fabricant. Ceci vous permettra de transférer rapidement et sans soucis vers le système Salt & Swim.

Installer la boîte de commande du système Salt & Swim

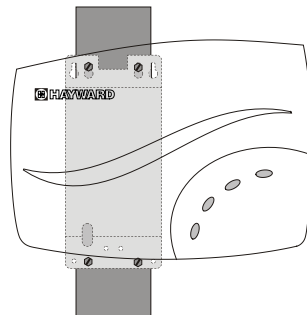
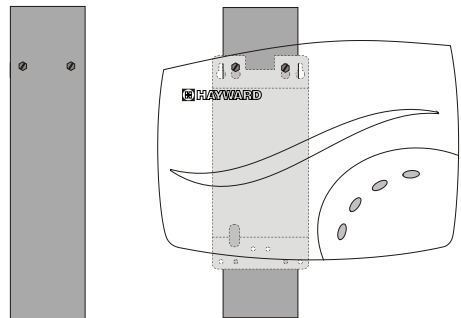
Le système Salt & Swim est contenu dans un boîtier étanche qui est adéquat pour une installation extérieure. La boîte de commande est dotée d'un cordon d'alimentation qui doit être branché dans une prise de courant protégée par un DDFT. La cellule doit être installée à moins de 4,5 m (15 pi) de la boîte de commande à l'aide du câble fourni.

La boîte de commande est conçue pour être fixée verticalement sur une surface plane avec les câbles dirigés vers le bas. Puisque le boîtier agit également à titre de dissipateur thermique (dissipe la chaleur produite à l'intérieur de la boîte), il est important de ne pas obstruer les quatre côtés du boîtier. Ne fixez pas le système Salt & Swim à l'intérieur d'un panneau ou d'un endroit fermé hermétiquement.

Afin de fixer la boîte de commande dans l'endroit désigné, assurez-vous que le cordon d'alimentation est assez long pour rejoindre la prise de courant protégée par un DDFT et que le câble de la cellule est assez long pour rejoindre l'endroit où sera installé le contenant de la cellule. Consultez le diagramme qui suit.

Vissez les pièces de fixation du haut en laissant 3 mm (1/8") entre la tête de la vis et la surface

Accrochez la boîte de commande sur les pièces de fixation



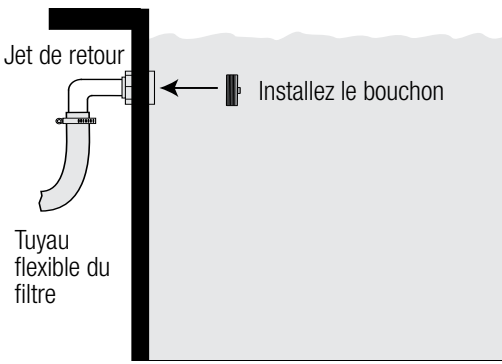
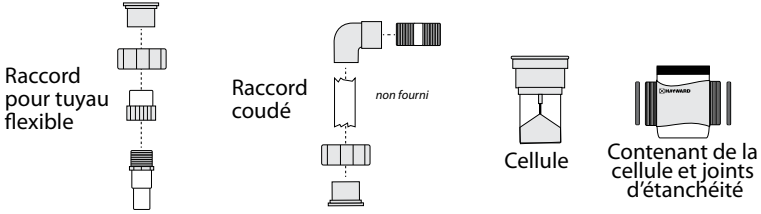
Vissez complètement les pièces de fixations du bas



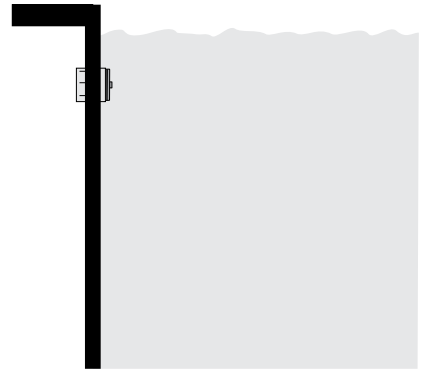
HAYWARD®

Tuyauterie

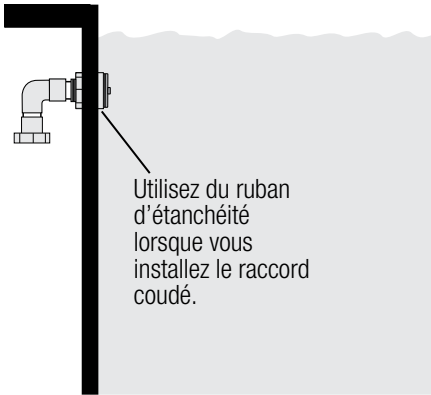
La cellule est conçue pour être installée dans le raccord du jet de retour situé sur la paroi de la piscine à l'aide des pièces fournies. Consultez les instructions qui suivent.



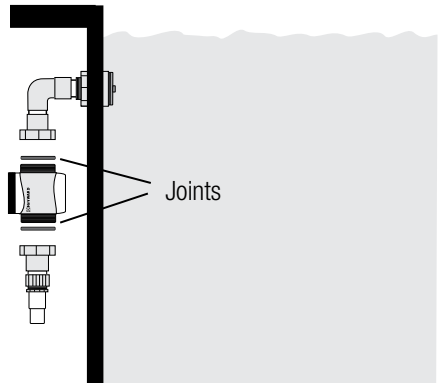
1. Installez le bouchon dans le jet de retour pour éviter que l'eau circule.



2. Videz l'eau contenue dans la tuyauterie de la piscine. Enlevez le tuyau flexible et le raccord du jet de retour.



3. Vissez le raccord coudé dans le raccord du jet de retour en ayant d'abord enroulé un ruban d'étanchéité sur le filet.

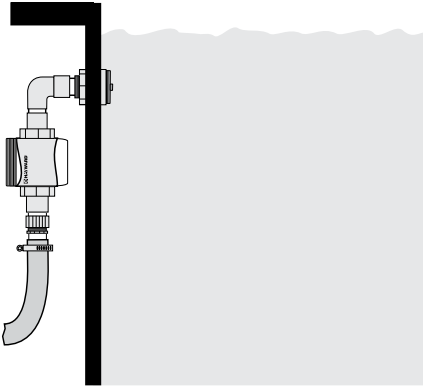


4. En utilisant les joints d'étanchéité fournis, fixez le contenant de la cellule au raccord coudé et au raccord pour tuyau flexible. Ne serrez pas trop.

4

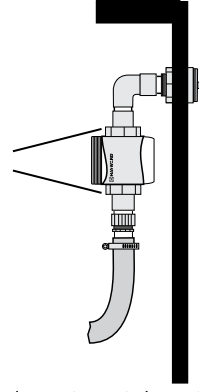


HAYWARD®



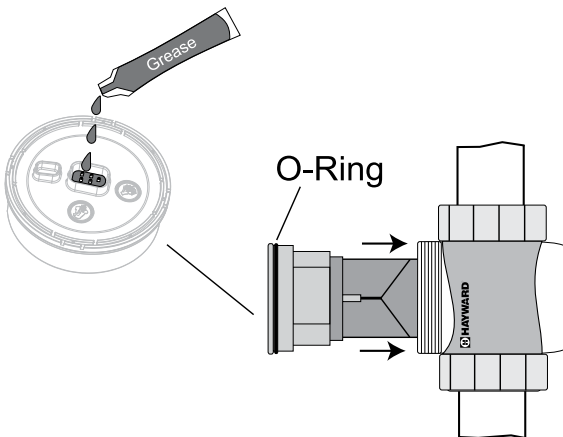
5. Placez le collier de serrage sur le tuyau flexible et insérez le tuyau sur le raccord pour tuyau flexible comme indiqué. Serrez fermement le collier de serrage.

Serrez à la main des deux raccords unions.



6. Positionnez le contenant de sorte qu'il soit facile d'insérer et de retirer la cellule. Fixez le contenant en serrant à la main les deux raccords unions.

Retirez le protecteur en mousse de la cellule. Recouvrez complètement les broches de la cellule avec le lubrifiant fourni. Assurez-vous que le joint torique est attaché à la cellule avant d'insérer la cellule dans le contenant de la cellule, comme indiqué.

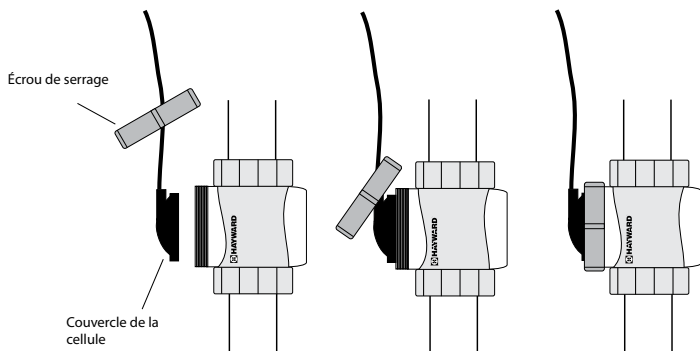




HAYWARD®

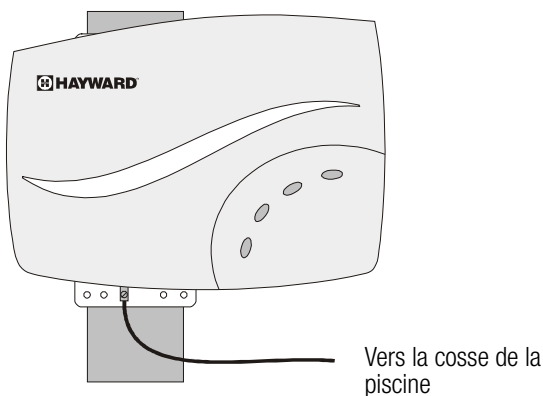
Raccorder et sécuriser le couvercle de la cellule

Passez le couvercle de la cellule dans l'écrou de serrage comme indiqué ci-dessous. Branchez le couvercle de la cellule dans la cellule et fixe-le à l'aide de l'écrou de serrage. Faites fonctionner la pompe pendant 5 minutes pour vérifier s'il y a des fuites.



Liaison équipotentielle

En procédant à une liaison équipotentielle, vous vous assurez que toutes les composantes autour de votre piscine sont au même potentiel électrique. Si, dans votre région, vous devez procéder à une liaison équipotentielle (consultez les codes locaux et le CCE), une cosse de raccordement prévue à cet effet est située au bas du boîtier du système Salt & Swim. À l'aide d'un fil de cuivre solide (8 AWG), connectez cette cosse à celle qui se trouve sur votre piscine.





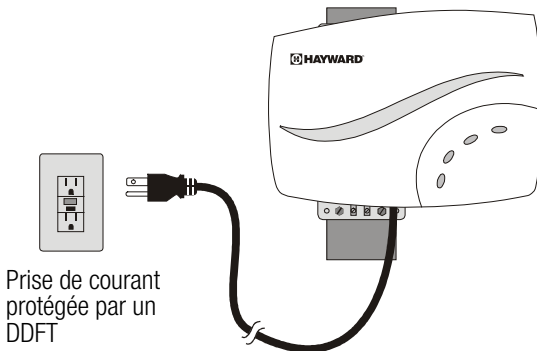
HAYWARD®

Procédure pour étalonner le capteur de débit

IMPORTANT : Avant de continuer, vous devez équilibrer la chimie de l'eau de votre piscine et ajouter du sel. Si vous ne l'avez pas encore fait, consultez le Guide pour équilibrer la chimie de l'eau ainsi que la section « Chimie de l'eau » de ce manuel pour obtenir les renseignements qui vous permettront de préparer votre piscine avant de faire fonctionner votre système Salt & Swim.

Au démarrage ou lorsqu'une nouvelle cellule est installée, le système Salt & Swim procédera à un étalonnage du capteur de débit afin de vérifier que le capteur de débit de la cellule est adéquatement initialisé. Ceci ne se produira qu'une seule fois lorsqu'une nouvelle cellule est installée. Une fois le capteur de débit initialisé, le système Salt & Swim ne répétera pas cette procédure jusqu'à ce que la cellule soit remplacée. Durant l'étalonnage du capteur de débit, l'utilisateur devra mettre alternativement le système hors et sous tension. Suivez les instructions suivantes :

1. Mettez la pompe du filtre hors tension.
2. Raccordez le cordon d'alimentation du système Salt & Swim à un disjoncteur de fuite à la terre (DDFT) ou dans une prise de courant protégée par un disjoncteur de fuite à la terre. Respectez les codes locaux et nationaux.



Après avoir été mis sous tension pour la première fois, le logiciel de diagnostic du système Salt & Swim procédera à certains tests de routine qui peuvent prendre jusqu'à 30 secondes. Durant ce temps, divers témoins lumineux DEL s'éteindront et s'illumineront. Une fois les tests terminés, le témoin lumineux « INADEQUATE WATER FLOW » clignotera tandis que le témoin lumineux « STANDING BY » s'illuminera. Le système Salt & Swim doit être sous tension pour le reste de cette procédure. Passez à l'étape 3

3. Mettez la pompe du filtre sous tension. Assurez-vous qu'il n'y a pas d'air qui circule dans le système et faites fonctionner la pompe pour au moins 15 secondes.
4. Mettez la pompe du filtre hors tension.
5. Les témoins lumineux « INADEQUATE WATER FLOW » et « STANDING BY » du système Salt & Swim devraient maintenant être tous les deux illuminés. La procédure d'étalonnage du capteur de débit est terminée. Vous pouvez maintenant mettre la pompe du filtre sous tension pour que le système fonctionne normalement.

Si, après avoir effectué cette procédure, le témoin lumineux « INADEQUATE WATER FLOW » clignote toujours, consultez la section Dépannage de ce manuel.

Chimie de l'eau

Le tableau suivant précise les teneurs recommandées par l'Association of Pool and Spa Professionals (APSP). Il est important de maintenir ces teneurs afin d'empêcher la corrosion ou l'entartrage et de faire en sorte que le rendement votre chlorateur Salt & Swim soit maximal. Faites vérifier votre eau ou utilisez les bandelettes d'analyse et consultez le Guide pour équilibrer la chimie de l'eau pour des renseignements quant à l'analyse et l'ajustement de la chimie de l'eau de votre piscine. Votre détaillant autorisé Salt & Swim ou la plupart des marchands de piscines vendent les produits chimiques dont vous aurez besoin pour équilibrer la chimie de l'eau de votre piscine et pourront également vous conseiller quant aux façons de faire.

Sachez que l'eau de piscine qui provient de puits et des réseaux municipaux, de même que l'introduction de contaminants environnementaux, peuvent, en raison de leur chimie, nuire à la durée de vie de la cellule.

Produit chimique	Teneurs idéales
Sel	2700 to 3400 ppm
Chlore libre	1.0 to 3.0 ppm
pH	7.2 to 7.6
Acide cyanurique (stabilisateur)	20 to 30 ppm (if necessary)
Alcalinité totale	80 to 120 ppm
Dureté calcique	125 to 250 ppm
Métaux	0 ppm
Index de saturation	-.2 to .2 (0 best)

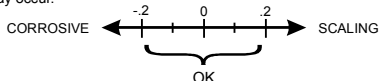
Index de saturation

L'index de saturation (Si) dépend du calcium et de l'alcalinité de l'eau et il est un indicateur de l'« équilibre » de l'eau de la piscine. L'eau de votre piscine est bien équilibrée lorsque Si est de 0 ± 0.2 . Si l'index de saturation est inférieur à -0.2 , l'eau sera corrosive et, dans ces conditions, les parois des piscines en plâtre se dissoudront dans l'eau de la piscine. Si l'index de saturation est supérieur à $+0.2$, il y aura formation de tartre (entartrage) et apparition de taches. Utilisez le tableau suivant pour déterminer l'index de saturation.

$$Si = pH + Ti + Ci + Ai - 12.1$$

°C	°F	Ti	Calcium Hardness	Ci	Total Alkalinity	Ai
12	53	.3	75	1.5	75	1.9
16	60	.4	100	1.6	100	2.0
			125	1.7	125	2.1
19	66	.5	150	1.8	150	2.2
			200	1.9	200	2.3
24	76	.6	250	2.0	250	2.4
			300	2.1	300	2.5
29	84	.7	400	2.2	400	2.6
			600	2.4	600	2.8
34	94	.8	800	2.5	800	2.9

How to use: Measure pool pH, temperature, calcium hardness, and total alkalinity. Use the chart above to determine Ti, Ci, and Ai from your measurements. Insert values of pH, Ti, Ci and Ai into the above equation. If Si equals .2 or more, scaling and staining may occur. If Si equals -.2 or less corrosion or irritation may occur.





Teneur en sel

Utilisez le tableau de la page 10 pour savoir combien de kilogrammes de sel (ou de lb) vous devez ajouter pour obtenir les teneurs recommandées. Si vous ne connaissez pas les dimensions de votre piscine, utilisez les tableaux ci-dessous (les mesures sont indiquées en mètres et litres et en pieds et gallons).

Piscines hors terre rondes (diamètre)

15 pi	5,310 gallons
18 pi	7,640 gallons
21 pi	10,400 gallons
24 pi	13,600 gallons
27 pi	17,200 gallons
28 pi	18,500 gallons
30 pi	21,420 gallons

Piscines hors terre ovales

12' x 24'	4,500 gallons
15' x 24'	9,650 gallons
15' x 25'	10,050 gallons
15' x 30'	12,060 gallons
16' x 24'	10,290 gallons
16' x 32'	13,720 gallons
18' x 33'	15,900 gallons
18' x 36'	17,370 gallons

	Gallons (pool size in feet)	Liters (pool size in meters)
Rectangular	Length x Width x Average Depth x 7.5	Length x Width x Average Depth x 1000
Round	Diameter x Diameter x Average Depth x 5.9	Diameter x Diameter x Average Depth x 785
Oval	Length x Width x Average Depth x 6.7	Length x Width x Average Depth x 893

La teneur en sel recommandée est comprise entre 2700 et 3400 ppm (parties par millions); 3200 ppm étant la teneur idéale. Si la teneur en sel est basse, déterminez le volume (nombre de litres ou de gallons) de votre piscine et, en consultant le tableau de la page 10, ajoutez du sel en conséquence. Si la teneur en sel est trop basse, ceci réduira l'efficacité du système Salt & Swim ce qui se traduira par une faible production de chlore. Si la teneur en sel est trop élevée, le système Salt & Swim pourrait cesser de fonctionner, tandis que l'eau de la piscine pourrait commencer à avoir un goût de sel (de façon générale, on commence à goûter le sel lorsque la teneur est comprise entre 3500 et 4000 ppm). Dans votre piscine, le sel est continuellement recyclé de sorte que la perte de sel durant la saison de baignade devrait être basse. La perte de sel est surtout due à l'ajout d'eau en raison des éclaboussures, des lavages à contre-courant ou des vidanges (à cause de la pluie). Le sel n'est pas perdu durant l'évaporation de l'eau.

Type de sel à utiliser

Il est important de n'utiliser que du chlorure de sodium (NaCl) dont la pureté est d'au moins 99 %. Ceci correspond à du sel de qualité alimentaire ou à du sel adoucisseur d'eau. Ce sel est généralement offert en sacs de 40 à 80 lbs qui sont étiquetés comme du « Sel de piscine ». Vous pouvez également utiliser les pastilles de sel adoucisseur d'eau, mais la dissolution sera plus lente. N'utilisez pas du sel gemme ou du sel contenant du prussiate jaune de sodium, du sel contenant des additifs antimottant ou du sel iodé.

Pour ajouter ou enlever du sel

Pour les nouvelles piscines en plâtre, patientez de 10 à 30 jours (consultez votre spécialiste de piscines local) avant d'ajouter du sel pour permettre au plâtre de durcir. Ajoutez le sel directement à l'eau de la piscine alors que la pompe de circulation fonctionne. Brassez le sel pour accélérer la dissolution – ne permettez pas au sel de s'accumuler dans le fond de la piscine. Faites fonctionner la pompe du filtre durant 24 heures de sorte que l'aspiration se fasse par le drain de fond (utilisez le nettoyeur de piscine, s'il n'y a pas de drain de fond) afin que le sel se disperse partout dans la piscine.



HAYWARD®

La seule façon de diminuer la teneur en sel est de vider partiellement la piscine et de la remplir avec de l'eau fraîche.

Vérifiez toujours la teneur en stabilisateur (acide cyanurique) lorsque vous vérifiez la teneur en sel. La teneur de ces deux produits diminuera vraisemblablement au même rythme. Utilisez le tableau de la page 11 pour déterminer combien de stabilisateur vous devez ajouter pour augmenter la teneur jusqu'à 30 ppm.

Quantité de sel en lb (et kg) nécessaire pour obtenir 3200 ppm

Teneur en sel actuelle ppm	Volume de l'eau de votre piscine en gallons (et litres)								
	8,000 (30,000)	10,000 (37,500)	12,000 (45,000)	14,000 (52,500)	16,000 (60,000)	18,000 (67,500)	20,000 (75,000)	22,000 (82,500)	23,000 (86,000)
0	213 (97)	267 (121)	320 (145)	373 (170)	427 (194)	480 (218)	533 (242)	587 (267)	613 (279)
200	200 (91)	250 (114)	300 (136)	350 (159)	400 (182)	450 (205)	500 (227)	550 (250)	575 (261)
400	187 (85)	233 (106)	280 (127)	327 (148)	373 (170)	420 (191)	467 (212)	513 (233)	536 (244)
600	173 (79)	217 (98)	260 (118)	303 (138)	347 (158)	390 (177)	433 (197)	477 (217)	498 (227)
800	160 (73)	200 (91)	240 (109)	280 (127)	320 (145)	360 (164)	400 (182)	440 (200)	460 (209)
1000	147 (67)	183 (83)	220 (100)	257 (117)	293 (133)	330 (150)	367 (167)	403 (183)	422 (192)
1200	133 (61)	167 (76)	200 (91)	233 (106)	267 (121)	300 (136)	333 (152)	367 (167)	382 (175)
1400	120 (55)	150 (68)	180 (82)	210 (95)	240 (109)	270 (123)	300 (136)	330 (150)	345 (157)
1600	107 (48)	133 (61)	160 (73)	187 (85)	213 (97)	240 (109)	267 (121)	293 (133)	307 (139)
1800	93 (42)	117 (53)	140 (64)	163 (74)	187 (85)	210 (95)	233 (106)	257 (117)	268 (125)
2000	80 (36)	100 (45)	120 (55)	140 (64)	160 (73)	180 (82)	200 (91)	220 (100)	230 (104)
2200	67 (30)	83 (38)	100 (45)	117 (53)	133 (61)	150 (68)	167 (76)	183 (83)	192 (87)
2400	53 (24)	67 (30)	80 (36)	93 (42)	107 (48)	120 (55)	133 (61)	147 (67)	154 (70)
2600	40 (18)	50 (23)	60 (27)	70 (32)	80 (36)	90 (41)	100 (45)	110 (50)	115 (53)
2800	27 (12)	33 (15)	40 (18)	47 (21)	53 (24)	60 (27)	67 (30)	73 (33)	77 (35)
3000	13 (6)	17 (8)	20 (9)	23 (11)	27 (12)	30 (14)	33 (15)	37 (17)	39 (18)
3200	Ideal	Ideal	Ideal	Ideal	Ideal	Ideal	Ideal	Ideal	Ideal
3400	OK	OK	OK	OK	OK	OK	OK	OK	OK
3600+	Dilute	Dilute	Dilute	Dilute	Dilute	Dilute	Dilute	Dilute	Dilute



HAYWARD®

Quantité d'acide cyanurique en lb (et kg) nécessaire pour obtenir 30 ppm

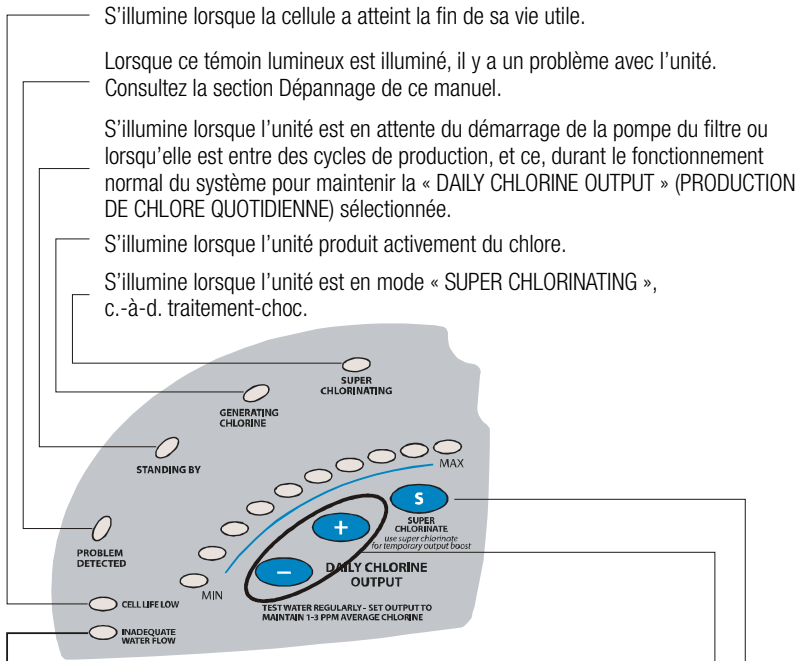
Teneur en stabilisateur actuelle (ppm)	Volume de l'eau de votre piscine en gallons (et litres)									
	8,000 (30000)	10,000 (37500)	12,000 (45000)	14,000 (52500)	16,000 (60000)	18,000 (67500)	20,000 (75000)	22,000 (82500)	23,000 (86000)	
0 ppm	2.0 (.9)	2.5 (1.1)	3.0 (1.3)	3.5 (1.5)	4.0 (1.8)	4.5 (2.0)	5.0 (2.2)	5.5 (2.4)	5.75 (2.6)	
10 ppm	1.8 (.8)	2.2 (1.0)	2.6 (1.2)	3.0 (1.3)	3.4 (1.5)	3.8 (1.7)	4.3 (2.0)	4.8 (2.2)	5.0 (2.3)	
20 ppm	1.5 (.7)	1.9 (.9)	2.3 (1.0)	2.6 (1.2)	3.0 (1.4)	3.3 (1.5)	3.8 (1.7)	4.1 (1.8)	4.4 (1.9)	



Fonctionnement

Commandes

Les commandes et indicateurs principaux sont montrés ci-dessus.



S'illumine lorsque la cellule a atteint la fin de sa vie utile.

Lorsque ce témoin lumineux est illuminé, il y a un problème avec l'unité. Consultez la section Dépannage de ce manuel.

S'illumine lorsque l'unité est en attente du démarrage de la pompe du filtre ou lorsqu'elle est entre des cycles de production, et ce, durant le fonctionnement normal du système pour maintenir la « DAILY CHLORINE OUTPUT » (PRODUCTION DE CHLORE QUOTIDIENNE) sélectionnée.

S'illumine lorsque l'unité produit activement du chlore.

S'illumine lorsque l'unité est en mode « SUPER CHLORINATING », c.-à-d. traitement-choc.

S'illumine lorsqu'il n'y a pas de débit ou lorsque le débit qui circule dans la cellule est faible. La pompe du filtre pourrait être en mode « OFF ». Si

tel n'est pas le cas, consultez la section Dépannage de ce manuel. Clignote lorsque le système procède à l'étalonnage du capteur de débit.

Appuyez sur les touches + ou - pour augmenter ou diminuer la production de chlore. Les témoins lumineux au-dessus de ces touches (« DAILY CHLORINE OUTPUT ») indiquent la quantité relative de chlore produite.

S'il y a un nombre de baigneurs anormalement élevé, une très grande quantité de pluie, une eau anormalement trouble ou toute autre condition qui nécessite de générer une grande quantité de produit assainissant, appuyez sur la touche « SUPER CHLORINATING ». Ceci produit électroniquement un « traitement-choc » (augmente la production de chlore) durant 24 heures (la pompe du filtre doit fonctionner durant ce temps). Pour annuler ce traitement, appuyez à nouveau sur la touche « SUPER CHLORINATING ».

Fonctionnement

Le système Salt & Swim n'est pas doté d'un interrupteur « ON/OFF ». L'unité est conçue pour être en tout temps branchée dans une prise de courant protégée par un DDFT. À moins qu'une des pièces de la piscine doive être réparée ou que la piscine doive être fermée, il n'y a aucune raison de mettre le système Salt & Swim hors tension.

Lorsque le système Salt & Swim est mis sous tension pour la première fois, il procède à une phase d'initialisation d'environ 30 secondes. Durant cette période, divers témoins lumineux s'illumineront. Ceci est parfaitement normal et ne nécessite aucune intervention de la part de l'utilisateur. Lorsque la phase d'initialisation est terminée, le système Salt & Swim commencera à fonctionner normalement.

Si la chimie de l'eau est adéquatement équilibrée, vous contrôlez trois facteurs qui contribuent à déterminer la quantité de chlore produit par le système Salt & Swim :

1. Le temps de filtration quotidien (heures)
2. Le réglage du « DAILY CHLORINE OUTPUT », c.-à-d. de la quantité de chlore produite chaque jour
3. La quantité de sel dans l'eau de la piscine

La minuterie de la pompe du filtre devrait être réglée de sorte que toute l'eau contenue dans la piscine passe dans le filtre au moins une fois par jour. Pour les piscines qui requièrent une production importante de chlore, le réglage de la minuterie devra être tel que la pompe fonctionne plus longtemps afin de produire davantage de chlore.

Réglage de la production quotidienne de chlore

Vous pouvez ajuster la quantité de chlore produite en appuyant sur les touches « + » et « - » situés sur l'unité Salt & Swim. Les témoins lumineux « DAILY CHLORINE OUTPUT » afficheront le réglage actuel. Appuyez sur « + » pour augmenter et sur « - » pour diminuer le réglage actuel. Chacun de ces témoins lumineux représente 6 minutes de production de chlore par heure. Par exemple, si 5 témoins lumineux sont illuminés, le système Salt & Swim produira du chlore pendant $5 \times 6 = 30$ minutes pour chaque heure de fonctionnement. Durant ce temps, le témoin lumineux « GENERATING CHLORINE », c.-à-d. production de chlore, sera illuminé. L'unité sera ensuite en attente durant les 30 minutes restantes et, durant ces 30 minutes, le témoin lumineux « GENERATING CHLORINE » sera éteint, tandis que le témoin lumineux « STANDING BY », c.-à-d. en attente, s'illuminera.

Pour trouver le réglage optimal, commencez le fonctionnement alors que 5 témoins lumineux « DAILY CHLORINE OUTPUT » sont illuminés. Vérifiez la teneur en chlore tous les deux ou trois jours et ajustez à la hausse ou à la baisse au besoin. Deux à trois ajustements sont généralement nécessaires pour trouver le réglage idéal pour votre piscine et, après, seuls de petits ajustements peu fréquents devraient être nécessaires. Puisque la demande en chlore de la piscine augmente avec l'augmentation de la température, la plupart des gens doivent ajuster la production de chlore à la hausse durant les périodes les plus chaudes de l'été et à la baisse durant les périodes les plus fraîches. Le système Salt & Swim abaisse automatiquement la production de chlore à 12 minutes de production par heure (si le réglage est plus élevé) lorsque la température de la piscine est comprise entre 10 °C et 15,6 °C (50 °F et 60 °F). Ceci protège l'unité et empêche une trop grande production de chlore. Le système Salt & Swim cesse de produire du chlore lorsque la température de l'eau descend sous 10 °C (50 °F). Ceci n'est généralement pas un problème puisque les algues et les bactéries cessent de proliférer à cette température. Vous pouvez annuler ces ajustements de production de chlore en passant en mode « SUPER CHLORINATE » pour une journée.

REMARQUE : Une fois que le réglage idéal pour la quantité de chlore produite a été déterminé, vous devrez peut-être augmenter le réglage si la température de l'eau de la piscine augmente de façon importante ou si les baigneurs sont beaucoup plus nombreux ou encore lorsque la cellule du système Salt & Swim vieillie. Vous devrez peut-être baisser le réglage si la température de l'eau de la piscine baisse de façon importante ou s'il y a de longues périodes d'inactivité dans la piscine. Éviter une production excessive de chlore par temps froid; vérifiez la teneur en chlore régulièrement. La plupart des piscines requièrent moins de chlore par temps froid et le réglage « DAILY CHLORINE OUTPUT » devrait être réglé en conséquence.



HAYWARD®

Entretien du système Salt & Swim

La cellule remplaçable utilise la même technologie autonettoyante que la cellule populaire Hayward Turbo Cell. Dans la plupart des cas, cette action autonettoyante permettra à la cellule de fonctionner de manière optimale. Dans les régions où l'eau est dure (une eau riche en minéraux) ou dans le cas de piscines où la chimie de l'eau n'est plus équilibrée, il se peut que la cellule doive être nettoyée de temps à autre.

Réparer et nettoyer la cellule Salt & Swim

Débranchez la cellule de la prise de courant et mettez la pompe hors tension avant de tenter d'enlever la cellule. Débranchez le cordon d'alimentation de la cellule. Retirez la cellule du contenant en dévissant l'écrou de serrage. Tirez doucement la cellule pour la retirer du contenant. Une fois sortie du contenant, inspectez la cellule et vérifiez s'il y a présence de tartre (dépôts crouteux légèrement colorés qui se détachent) sur les plaques ou de tout autre débris qui aurait passé à travers le filtre, atteint la cellule et adhéré aux plaques. Si aucun dépôt n'est visible, réinstallez la cellule. Si des dépôts sont visibles, utilisez un boyau d'arrosage pour essayer de déloger le tartre. Si vous n'y parvenez pas, utilisez un outil de plastique ou de bois (n'utilisez pas un outil de métal puisque vous graffieriez et enlèverez le revêtement sur les plaques) pour déloger les dépôts qui adhèrent aux plaques. Sachez que la formation d'un dépôt sur les plaques indique une teneur en calcium anormalement élevée dans l'eau de la piscine (une eau de piscine vieillie est souvent la cause). Si la situation n'est pas réglée, vous devrez possiblement nettoyer de temps à autre la cellule. La façon la plus simple de prévenir cette situation est de s'assurer que la teneur des produits chimiques dans l'eau de votre piscine est bien celle recommandée.

Nettoyage à l'acide doux : Utilisez seulement dans les cas graves où le lavage à l'eau et le frottage ne parviennent pas à enlever la plus grosse partie des débris. Pour procéder à un nettoyage à l'acide doux, préparez une solution 4 : 1 d'acide muriatique dans l'eau (en mélangeant 1 l d'acide et 4 l d'eau) dans un contenant de plastique propre. AJOUTEZ TOUJOURS L'ACIDE À L'EAU – JAMAIS L'EAU À L'ACIDE. Portez des gants de caoutchouc et des lunettes de protection. Déposez la cellule dans la solution. Le niveau de la solution doit atteindre le haut de la cellule de sorte que le compartiment cylindrique dans lequel se trouvent les composantes électroniques ne soit pas submergé. Laissez la cellule tremper quelques minutes et rincez-la ensuite avec le boyau d'arrosage. Si des débris sont toujours présents, trempez à nouveau la cellule dans la solution et rincez ensuite. Remplacez la cellule et vérifiez-la de temps à autre.

Préparation hivernale

La cellule remplaçable du système Salt & Swim sera endommagée par le gel de l'eau comme le serait la tuyauterie de la piscine. Dans les régions plus froides où il y a de longues périodes de gel, assurez-vous de drainer toute l'eau contenue dans la pompe, le filtre et les tuyaux entre la piscine et l'équipement de la piscine avant le gel. La boîte de commande ainsi que la tuyauterie du contenant de la cellule ne seront pas endommagées en raison des conditions hivernales et ne doivent donc pas être enlevées.

Démarrage au printemps

NE METTEZ PAS SOUS TENSION le système Salt & Swim avant que la chimie de l'eau de la piscine ait été équilibrée. Les renseignements en ce qui concerne la procédure pour équilibrer l'eau de la piscine se trouvent à la page 9.



HAYWARD®

Dépannage

Pour obtenir des renseignements utiles quant au fonctionnement, à l'entretien ou au dépannage de votre chlorateur électronique Salt & Swim, visitez le Haywardpool.ca

Problèmes courants et solutions

Les différents témoins lumineux de votre système Salt & Swim vous indiquent l'état de fonctionnement et attirent l'attention de l'utilisateur si un problème devait survenir. Selon la nature du problème, plus d'un témoin lumineux pourrait s'illuminer. Pour vous aider à interpréter la signification des informations fournies, Hayward a créé un outil interactif que vous trouvez en visitant le Haywardpool.ca. Utilisez cet outil ainsi que l'information qui suit pour déterminer la nature d'un problème et le corriger.

• 1. Raisons pouvant expliquer la présence de peu ou l'absence de chlore libre résiduel

- Le réglage du « DAILY CHLORINE OUTPUT » est trop bas.
- La teneur du stabilisateur (acide muriatique) est trop basse.
- Le temps de fonctionnement de la pompe est trop court (8 heures pour les piscines de taille moyenne, plus pour les plus grandes piscines).
- La teneur en sel est trop basse (sous 2400 ppm).
- La teneur en sel est trop élevée.
- Une température de l'eau très élevée requiert une plus grande production de chlore – augmentez le « Output % » ou le temps de fonctionnement du filtre.
- La température de l'eau est inférieure à 10 °C (50 °F) et le système Salt & Swim a cessé de produire du sel.
- La température de l'eau est comprise entre 10 °C et 15,6 °C (50 °F et 60 °F) et le système Salt & Swim réduit sa production de chlore, peu importe le réglage du « DAILY CHLORINE OUTPUT ».
- Présence d'une quantité importante de dépôt sur les plaques de la cellule.
- Teneur élevée d'azote dans l'eau de la piscine.
- L'utilisation récente d'un algicide « Yellow Out » ou de tout autre traitement semblable. Certains traitements contre les algues jaunes utilisent une très grande concentration de chlore et réduisent ainsi la quantité résiduelle de chlore libre. Procédez à un traitement-choc si les directives relatives au traitement contre les algues le requièrent. Il peut s'écouler quelques jours avant que la piscine redevienne « normale » et que les tests de chlore indiquent la teneur voulue, soit 1 à 3 ppm.

2. Les témoins lumineux ne sont pas illuminés

Selon les conditions, il devrait toujours y avoir au moins un témoin lumineux d'illuminé lorsque le système Salt & Swim est sous tension. S'il n'y a aucun témoin lumineux d'illuminé, vérifiez que tous les cordons d'alimentation sont bien branchés et que la prise de courant protégée par un disjoncteur de fuite à la terre est sous tension. Si aucune tension n'est détectée, le disjoncteur de fuite à la terre devra être réarmé.

3. Le témoin lumineux « STANDING BY » clignote

Le système Salt & Swim a cessé de fonctionner parce que la température de la piscine ou du spa est trop élevée (49 °C/120 °F) ou trop basse (10 °C/50 °F). Le système ne recommencera pas à fonctionner avant que la température soit retournée à la normale. Remarque : Cette situation peut se produire si la température de l'eau de la piscine ou spa est déjà élevée pendant que le chauffe-piscine fonctionne. Il se peut que la température de l'eau sortant du chauffe-piscine soit telle que le système Salt & Swim cesse de fonctionner.

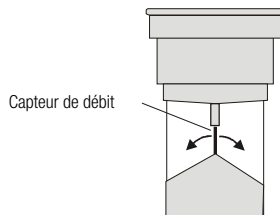


4. Le témoin lumineux « INADEQUATE WATER FLOW » est illuminé

Le système Salt & Swim détecte que le débit est trop faible ou qu'il n'y a pas de débit et a cessé de produire du chlore.

- Assurez-vous que la pompe du filtre fonctionne et qu'aucun débris n'obstrue ou ne cause une restriction dans la tuyauterie de la piscine.
- Procédez à un lavage à contre-courant.
- Augmentez la vitesse de votre pompe à vitesse variable.

Si la situation persiste, retirez la cellule du contenant et assurez-vous que le capteur de débit peut bouger librement dans les deux directions. Consultez le diagramme ci-dessous.



5. Le témoin lumineux « CELL LIFE LOW » est illuminé

La cellule a atteint sa durée de vie utile. Remplacez-la le plus rapidement possible.

6. Le témoin lumineux « PROBLEM DETECTED LED » est illuminé et le témoin lumineux « AND MAX » clignote

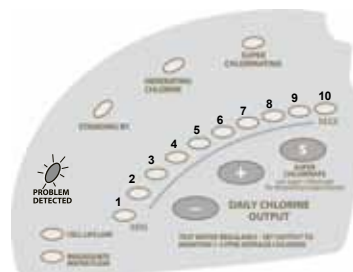
Un problème de communication s'est produit dans la cellule. Assurez-vous que le couvercle de la cellule est bien branché et que le câble à la boîte de commande n'est pas endommagé ou coupé.

7. Le témoin lumineux « PROBLEM DETECTED » est illuminé et le témoin lumineux « AND MIN » clignote

- La teneur en sel pourrait être trop faible. Ajustez la teneur en sel pour qu'elle corresponde à celle recommandée.
- Enlevez et inspectez la cellule pour déceler la présence de tartre. S'il y a un dépôt, suivez les instructions de la page 14 pour nettoyer la cellule.

8. Le témoin lumineux « PROBLEM DETECTED » est illuminé et le témoin lumineux « DAILY CHLORINE OUTPUT » clignote

Le système Salt & Swim peut indiquer une erreur en illuminant le témoin lumineux « PROBLEM DETECTED » et en faisant clignoter l'un des témoins lumineux « DAILY CHLORINE OUTPUT ». Il y a dix témoins lumineux « DAILY CHLORINE OUTPUT », chacun correspondant à une erreur différente. Ces témoins lumineux sont identifiés par un numéro dans le diagramme qui suit. Consultez le tableau pour connaître l'erreur qui correspond à chacun d'entre eux.





HAYWARD®

DEL qui clignote

Actions possibles

DEL MIN ou DEL 2	<ol style="list-style-type: none">1. Mettez hors tension et à nouveau sous tension le système Salt & Swim en débranchant le cordon d'alimentation pour 2 minutes et ensuite rebranchez-le.2. Inspectez la cellule. Si elle est sale, nettoyez-la en suivant la procédure.3. Vérifiez la teneur en sel de l'eau de la piscine. Assurez-vous que la teneur en sel est comprise entre 2600 ppm et 3400 ppm.4. Inspectez le contenant de la cellule et assurez-vous que les plaques de la cellule sont complètement recouvertes par l'eau qui y circule.5. Communiquez avec le service technique de Hayward.
DEL 3	<ol style="list-style-type: none">1. Mettez hors tension et à nouveau sous tension le système Salt & Swim en débranchant le cordon d'alimentation pour 2 minutes et ensuite rebranchez-le.2. Assurez-vous que le système Salt & Swim reçoit bien 120 VAC.3. Communiquez avec le service technique de Hayward.
DEL 4	<ol style="list-style-type: none">1. Mettez hors tension et à nouveau sous tension le système Salt & Swim en débranchant le cordon d'alimentation pour 2 minutes et ensuite rebranchez-le.2. Communiquez avec le service technique de Hayward.
DEL 5 ou DEL 6	<ol style="list-style-type: none">1. Mettez hors tension et à nouveau sous tension le système Salt & Swim en débranchant le cordon d'alimentation pour 2 minutes et ensuite rebranchez-le.2. Assurez-vous que la teneur en sel ne dépasse pas 3400 ppm et que la température ne dépasse pas 40 °C (104 °F).3. Inspectez le contenant de la cellule et assurez-vous que les plaques de la cellule sont complètement recouvertes par l'eau qui y circule.4. Communiquez avec le service technique de Hayward.
DEL 7	<ol style="list-style-type: none">1. Mettez hors tension et à nouveau sous tension le système Salt & Swim en débranchant le cordon d'alimentation pour 2 minutes et ensuite rebranchez-le.2. Communiquez avec le service technique de Hayward.
DEL 8	<ol style="list-style-type: none">1. Mettez hors tension et à nouveau sous tension le système Salt & Swim en débranchant le cordon d'alimentation pour 2 minutes et ensuite rebranchez-le.2. Inspectez la cellule. Si elle est sale, nettoyez-la en suivant la procédure.3. Inspectez le contenant de la cellule et assurez-vous que les plaques de la cellule sont complètement recouvertes par l'eau qui y circule.4. Inspectez le câble qui raccorde la cellule au système. Assurez-vous que le câble est bien branché et intact.5. Communiquez avec le service technique de Hayward.
DEL 9	<ol style="list-style-type: none">1. Mettez hors tension et à nouveau sous tension le système Salt & Swim en débranchant le cordon d'alimentation pour 2 minutes et ensuite rebranchez-le.2. Communiquez avec le service technique de Hayward.
DEL MAX	<ol style="list-style-type: none">1. Mettez hors tension et à nouveau sous tension le système Salt & Swim en débranchant le cordon d'alimentation pour 2 minutes et ensuite rebranchez-le.2. Inspectez le câble qui raccorde la cellule au système. Assurez-vous que le câble est bien branché et intact.3. Communiquez avec le service technique de Hayward.
Inadequate Water Flow	<ol style="list-style-type: none">1. Mettez hors tension et à nouveau sous tension le système Salt & Swim en débranchant le cordon d'alimentation pour 2 minutes et ensuite rebranchez-le.2. Procédez à l'étalonnage du capteur de débit en suivant la procédure.3. Communiquez avec le service technique de Hayward.
Standing By	<ol style="list-style-type: none">1. Mettez hors tension et à nouveau sous tension le système Salt & Swim en débranchant le cordon d'alimentation pour 2 minutes et ensuite rebranchez-le.2. Assurez-vous que la température de l'eau de la piscine est comprise entre 10 °C et 40 °C (50 °C et 104 °C).3. Communiquez avec le service technique de Hayward.





HAYWARD®

GARANTIE LIMITÉE (en vigueur le 2012-12-01) Hayward garantit ses chlorateurs Salt & Swim contre tout défaut de matériel ou de production, lorsqu'ils sont utilisés dans des conditions de fonctionnement et d'entretien normales selon ce qui suit :

Boîte de commande – garantie limitée de trois (3) ans sur les pièces seulement

Cellule SAS – garantie limitée d'un (1) an

Hayward garantit tous les accessoires et autres pièces de remplacement pour les produits de chloration mentionnés ci-dessus pour une période d'un (1) an.

Chacune de ces garanties ne peut être transférée et ne s'applique qu'au propriétaire original.

En vertu de la garantie, la preuve d'achat est requise pour le service. En l'absence de preuve d'achat écrite, le code indiquant la date de fabrication constituera l'unique déterminant de la date d'installation du produit. Pour procéder à un entretien ou à une réparation, veuillez communiquer avec le lieu d'achat ou le centre de service autorisé par Hayward le plus près. Pour de plus amples renseignements quant aux centres de services autorisés par Hayward, veuillez communiquer avec le centre de soutien technique Hayward (61, rue White Cap, North Kingstown, RI 02852) ou consultez le site Web de Hayward au www.hayward.com.

EXCLUSIONS DE LA GARANTIE :

1. Dommage résultant d'une installation inadéquate, y compris l'installation sur des piscines plus grandes que celles pour lesquelles le produit est conçu.
2. Problèmes résultant de l'omission d'installer, d'utiliser et d'entretenir le ou les produits conformément aux recommandations figurant dans le ou les manuels d'utilisation.
3. Problèmes résultant de l'omission de maintenir la chimie de l'eau équilibrée conformément aux recommandations figurant dans le ou les manuels d'utilisation.
4. Problèmes résultant de la manipulation, d'accident, d'usage abusif, de négligence, de réparations ou modifications non autorisées, d'incendie, d'inondation, de la foudre, du gel, d'infiltration d'eau de l'extérieur, de la dégradation de la pierre naturelle utilisée ou située à proximité d'une piscine ou d'un spa, de guerre ou de catastrophes naturelles.

CLAUDE DE NON-RESPONSABILITÉ. LES GARANTIES EXPRESSÉMENT CITÉES CI-DESSUS CONSTITUENT LA GARANTIE COMPLÈTE OFFERTE POUR LES PRODUITS DE CHLORATION ET D'AUTOMATISATION DE PISCINE HAYWARD MENTIONNÉES CI-DESSUS ET REMPLACENT TOUTE AUTRE GARANTIE EXPLICITE OU IMPLICITE, Y COMPRIS TOUTE GARANTIE DE VALEUR COMMERCIALE OU D'ADAPTATION À UN USAGE SPÉCIFIQUE. CES GARANTIES VOUS CONFÈRENT DES DROITS PARTICULIERS ET VOUS POURRIEZ ÉGALEMENT JOUIR D'AUTRES DROITS À L'ÉGARD DE L'ÉQUIPEMENT, LA PERTE DE PROFITS OU DE REVENUS, LE COÛT DE LOCATION OU DE REMPLACEMENTS ET AUTRES DÉPENSES, MÊME SI LE VENDEUR AVAIT ÉTÉ AVISÉ DE LA POSSIBILITÉ DE TELS DOMMAGES. CERTAINES PROVINCES NE PERMETTENT PAS L'EXCLUSION OU LA LIMITATION DE DOMMAGES INDIRECTS OU ACCESSOIRES DE SORTE QUE LES LIMITES CITÉES CI-DESSUS POURRAIENT NE PAS S'APPLIQUER DANS VOTRE CAS.

AUCUN GROSSISTE, AGENT, DÉTAILLANT, ENTREPRENEUR OU TOUTE AUTRE PERSONNE NE PEUT OFFRIR, AJOUTER OU MODIFIER TOUTE GARANTIE AU NOM DE HAYWARD.

CES GARANTIES SONT ANNULÉES SI LE PRODUIT A ÉTÉ MODIFIÉ D'UNE QUELCONQUE FAÇON APRÈS AVOIR QUITTÉ L'USINE. POUR LES CHLORATEURS MENTIONNÉS CI-DESSUS, CES GARANTIES SONT ÉGALEMENT ANNULÉES SI, DURANT LA PÉRIODE DE GARANTIE, L'UTILISATEUR REMPLACE LA CELLULE AVEC TOUTE AUTRE CELLULE QU'UNE CELLULE NEUVE, NON MODIFIÉE D'ORIGINE HAYWARD ACHETÉE D'HAYWARD. SI UNE GARANTIE EST ANNULÉE, VOUS POURREZ TOUT DE MÊME ACHETER DU SERVICE ET TÉLÉPHONER LE SOUTIEN TECHNIQUE SELON LES TAUX EN VIGUEUR AU MOMENT DE LA DEMANDE.

POUR DE PLUS AMPLES RENSEIGNEMENTS OU POUR DU SOUTIEN
TECHNIQUE AU CONSOMMATEUR, VISITEZ NOTRE SITE WEB AU

Haywardpool.ca



HAYWARD®



Hayward est une marque déposée et Salt & Swim est une marque de commerce de Hayward Industries inc. © 2014 Hayward Industries inc.

Toutes les autres marques de commerce n'appartenant pas à Hayward sont la propriété de leurs propriétaires respectifs. Hayward n'est pas affiliée à ou endossée par ces tierces parties, et ce, de quelconque façon.

USE ONLY HAYWARD GENUINE REPLACEMENT PARTS