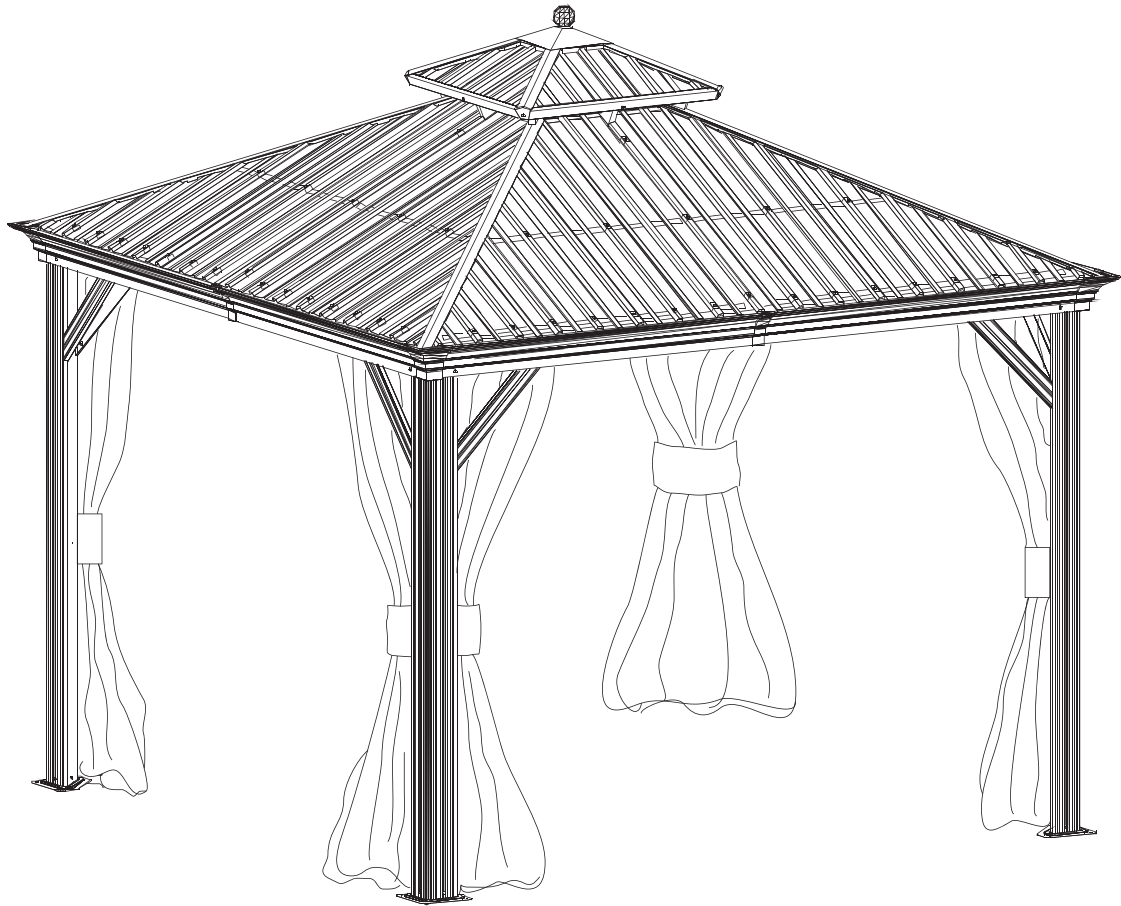


User Guide



Porto

12' x 12'

Model: LGMF9120A



www.clubpiscine.ca

Notice

IMPORTANT: A gazebo may entail to purchase a municipal permit or be subject to specific building codes. It is the consumer's responsibility to inform themselves of any restrictions. It is important to read and follow all safety information prior to assembly of the unit as well as during usage to reduce risk of injury and avoid damage to the product and its surroundings. It is highly recommended to avoid installing and settling your gazebo in a corridor of heavy wind. Follow all assembly instructions.

Operation

The gazebo is intended to be used as a shelter, do not use the product for other than what it is designed for.

Your shelter has been created for all four seasons and will resist snow accumulations of up to **2000 lbs (907 Kg.)** For your comfort and safety it is recommended to not use the gazebo during below-freezing temperature.

WARNING: KEEP ALL FLAME AND HEAT SOURCES AWAY FROM ALL FABRICS.

Do not place any type of space heater, any heat conductor or exposed flame under or within 5 feet of the gazebo.

*The fabrics (mosquito netting and *curtains) meet the flammability requirements of CPAI-84. The fabrics may burn if they are in continuous contact with a flame. Any foreign substance applied directly to the any of the fabrics may weaken the flame-resistant properties.*

Avoid using excessive force while opening or closing the mosquito netting. When tying the netting to the columns be mindful to not make the Velcro tangle with the netting.

Do not suspend or hang from the structure any object(s) exceeding 15 lbs (6.8 Kg.)

***IF YOU INTEND ON PURCHASING A SET OF CURTAINS:** Follow the steps on page 9 (STEP 2) and 24 (ACCESSORIES) for installation procedures.

****WINTER COVER:**

Winter covers are available for this product. Contact your retailer for details.

Maintenance and Care

Check periodically that the gazebo is anchored properly to the floor or ground and that all bolts and screws are tight to maintain the solidity of the structure.

Remove any foreign objects from the roof as much as possible to avoid damages.

Remove any snow accumulation on the roof at all times. Make sure there is no ice buildup anywhere on the main structure. A winter cover is highly recommended.

The mosquito netting, and *curtains (sold separately), must be removed and stored during winter.

To order replacement parts you will refer to the Model # of this unit and the Part # in the Parts List.

Cleaning

Use only non-abrasive domestic soap or detergent and wash periodically with warm water using a soft sponge or fabric. Rinse with clean water.

Do not put the textilene mosquito netting (or *curtain) in a washing machine or dryer.

*Curtains are sold separately.

Warranty

NOTICE: The purchaser of this product has 30 days from date of purchase or delivery to verify their merchandise. Shipping fees are included for any missing parts or parts showing manufacturer defects. **Damaged parts will not be under warranty after the 30-day period and all claims will be the responsibility of the purchaser.**

DO NOT ASSEMBLE YOUR GAZEBO IF PARTS ARE DAMAGED. Contact your retailer or Club Piscine Super Fitness immediately.

Proof of purchase is necessary at all times. This warranty is not transferable.

IMPORTANT: This product is not a permanent structure. The gazebo can be left out during all seasons however snow accumulation must be removed at all times. It is possible to experience water leakage during heavy precipitation. This warranty is based on normal use of the product.

This product is guaranteed against defective materials from the factory including;

- Five (5) years on the frame against discoloration.
- Five (5) years on the roof panels against rust and discoloration.
- Limited warranty applicable on parts only (contact your retailer.)

WHAT IS NOT COVERED

- Damages caused by abuse, misuse of this product or vandalism.
- Damages due to extreme natural weather conditions *such as, but not limited to,* rainstorms, hailstorms, wind storms, snow storms, etc..
- Water infiltration and holes in the roof panels are not covered.
- Damages due to the product not installed on a level ground or anchored down with appropriate screws.
- Damages caused by hanging or suspending objects heavier than 15 lbs (6.8 kg.)

IMPORTANT: If at any time you require assistance regarding the warranty of your gazebo contact Club Piscine Super Fitness customer service at 1-800-320-2979 or send an email to service@clubpiscine.ca. Any issues resulting from not following any rules, notices and regulations from Operation, Maintenance and Care, Cleaning and Pre-Assembly/Planning Installation and Safety will result in the warranty being voided.

PLANNING INSTALLATION AND SAFETY

Keep this User Guide and Parts List for future reference.

Make sure that the boxes contain all the parts before starting the assembly.

Follow all assembly instructions for proper construction.

In order to avoid damage to the shelter and its components, place all parts on a soft surface and use appropriate tools.

Do not assemble the gazebo during periods of heavy wind or rain.

It is highly recommended to avoid installing your gazebo in a corridor of heavy wind.

You must schedule enough time to complete the assembly. For safety issues you must not leave the unit unattended if it is not fully assembled, even if it is already anchored to the ground. The assembly will take approximately 4 to 5 hours.

A minimum of 2 people are required to assemble the gazebo .

The unit must be assembled on a level platform (wood deck, stone tile or concrete) and must be anchored using appropriate screws for that flooring.

Be sure to keep all children and pets away from assembly area.

To avoid damages the assembly of the unit should be constructed no less than 5 ft from any fixed obstruction.

In order to avoid damage to the shelter and its components, place all parts on a soft surface and use appropriate tools during assembly.

During assembly, do not use the structure as a support. Use a stepladder if necessary.

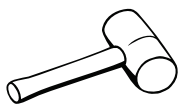
Some parts contain sharp edges; wear protective gloves when handling them. It is also recommended to wear protective goggles (safety glasses) and closed shoes.

It is recommended to tighten all bolts and screws once a step is completed.

If at any time you require assistance to assemble your gazebo contact your retailer.

TOOLS AND EQUIPMENT REQUIRED (Not included in boxes)

**NOTE: Tools and equipment are not shown to actual size and scale.*



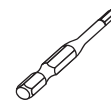
RUBBER MALLET



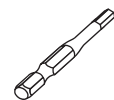
PHILLIPS SCREW DRIVER



DRILL



5/32" BIT



7/32" BIT



SAFETY HAT



GLOVES



SAFETY GOGGLES

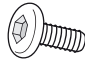

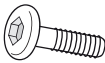
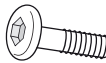
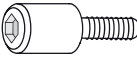

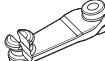










STEPLADDER



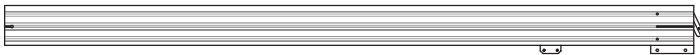






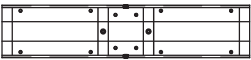





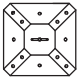
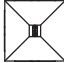






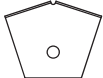
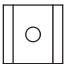
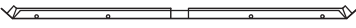
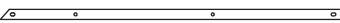
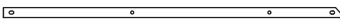
LEVEL

HARDWARE PACKAGE INCLUDED

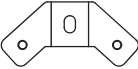
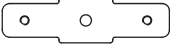
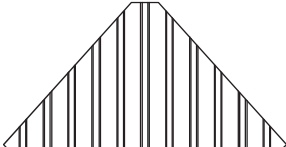
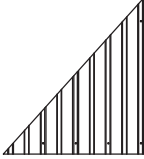
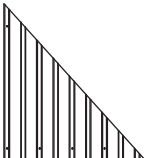
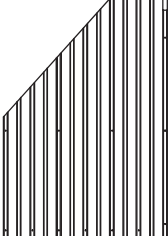
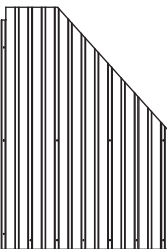
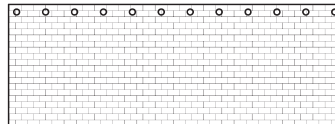
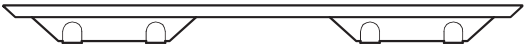
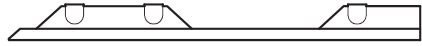

1#		214	9#		24
Bolt (M6x16)		Qty:	Screw (ST4.8x13)		Qty:
2#		16	10#		4
Bolt (M6x20)		Qty:	Bolt (M6x25)		Qty:
3#		16	11#		8
Capped Bolt		Qty:	Bolt (M6x10)		Qty:
4#		56	-		1
Hook		Qty:	Allen Key (S6)		Qty:
5#		72	-		1
Bolt and Cap (M6x28)		Qty:	Allen Key (S4)		Qty:
6#		8	-		1
Bolt and Cap (M6x45)		Qty:	Wrench		Qty:
7#		24	-		1
Bolt and Cap (M6x50)		Qty:	Wrench		Qty:
8#		4			
Bolt (M5x16)		Qty:			

In case of damaged or defective parts or if at any time you require assistance to assemble your gazebo contact the customer service team at Club Piscine at 1-800-320-2979 or email service@clubpiscine.ca.

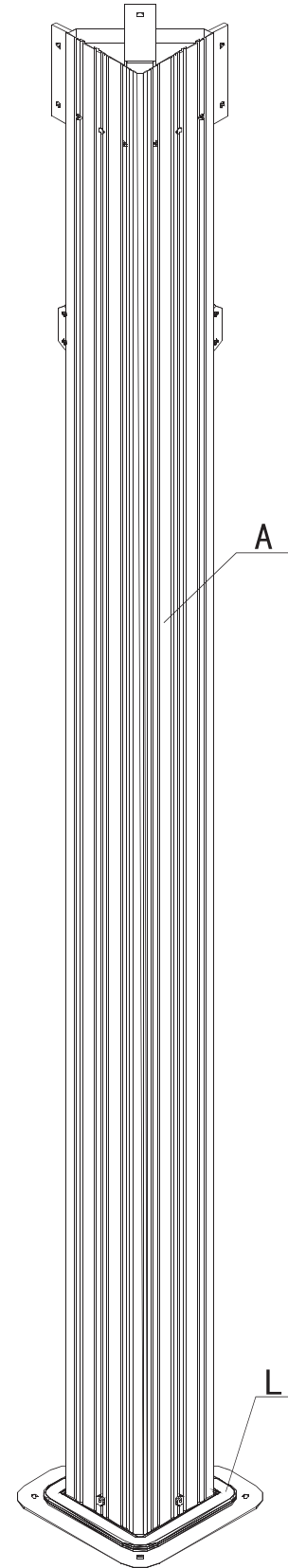
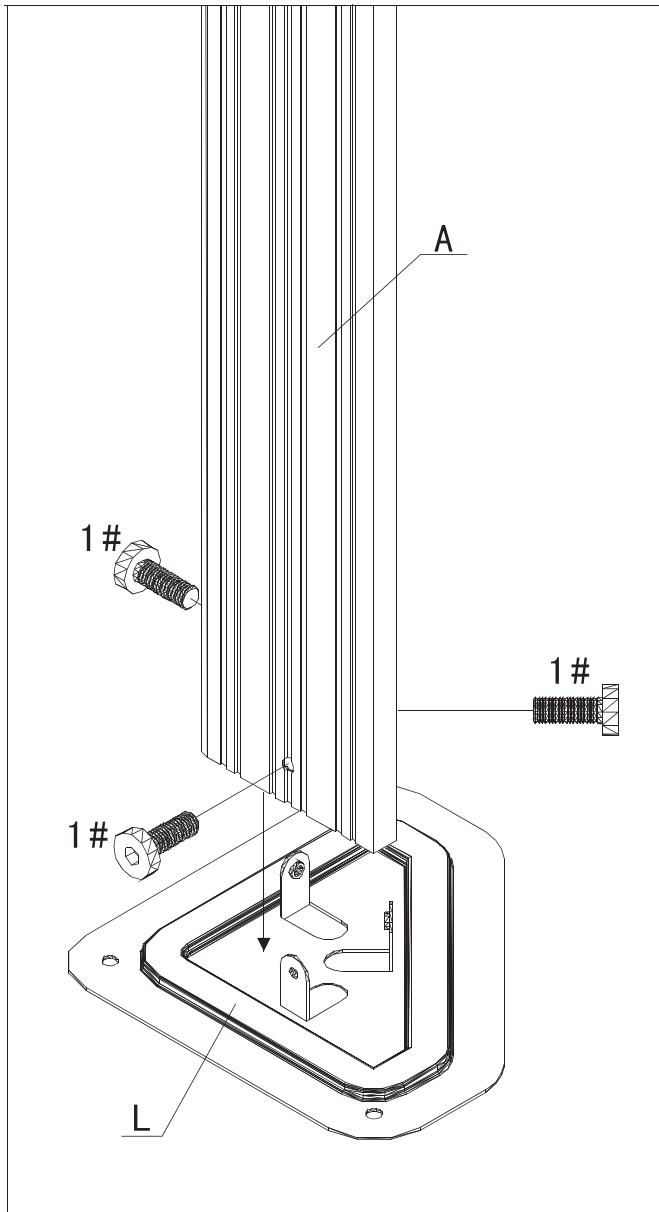
PARTS LIST

A				4	
Column				Qty:	
B				4	
Crossbeam (Short)				Qty:	
B1				4	
Gap Cover				Qty:	
B2				4	
Track				Qty:	
C				4	
Crossbeam (Short)				Qty:	
C1				4	
Gap Cover				Qty:	
C2				4	
Track				Qty:	
F		4	G		4
Connector Plate		Qty:	Corner Gap Cover		Qty:
H		4	H1		4
Gap Cover		Qty:	Gap Cover		Qty:
J1		4	J2		4
Corner Bracket		Qty:	Corner Bracket		Qty:
K		1	K1		1
Roof Connector		Qty:	Roof Connector		Qty:
K2		1	L		4
Decorative Ball		Qty:	Base		Qty:
M					4
Corner Roof Bar					Qty:
N					4
Roof Bar					Qty:
P					4
Roof Connector Track					Qty:
P1					4
Mosquito Mesh					Qty:
R		8	S		108
Corner Gap Cover		Qty:	Spacer		Qty:
T					4
Finishing Bar (Upper Roof)					Qty:
U1					4
Support Bar					Qty:
U2					4
Support Bar					Qty:

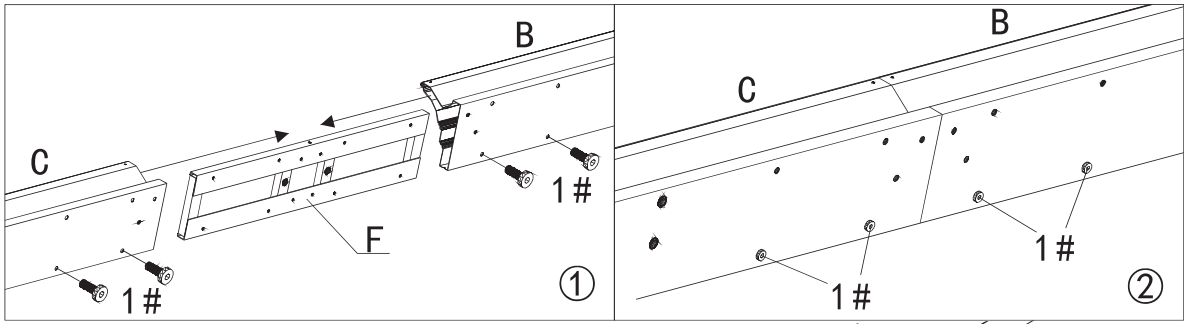
PARTS LIST

U5		4			
Iron Angle		Qty:			
U6		4			
Iron Angle		Qty:			
V		4	W		4
Roof Panel		Qty:	Roof Panel		Qty:
W1		4	W2		4
Roof Panel		Qty:	Roof Panel		Qty:
W3		4	Y		4
Roof Panel		Qty:	Mosquito Net		Qté:
Z		72	Z1		8
FINISHING BAND		Qty:	FINISHING BAND		Qty:
Z2		8			
FINISHING BAND		Qty:			

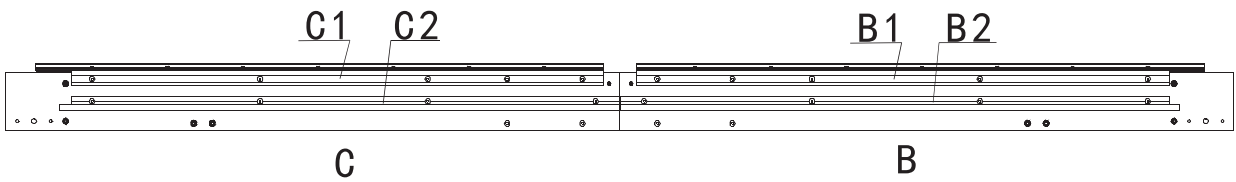
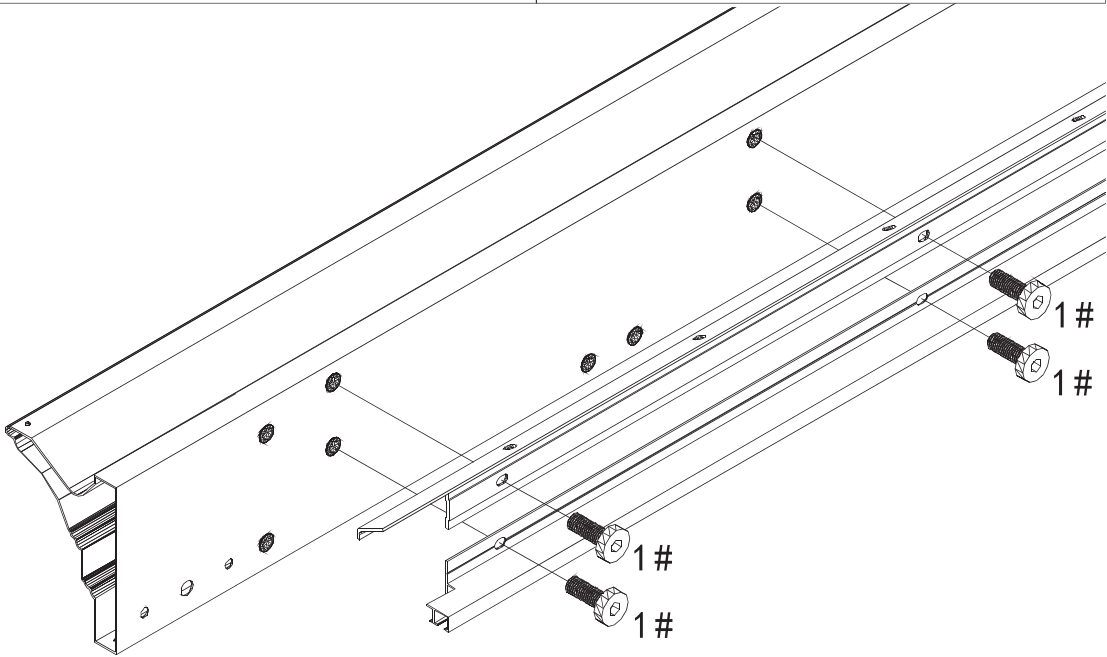
STEP 1



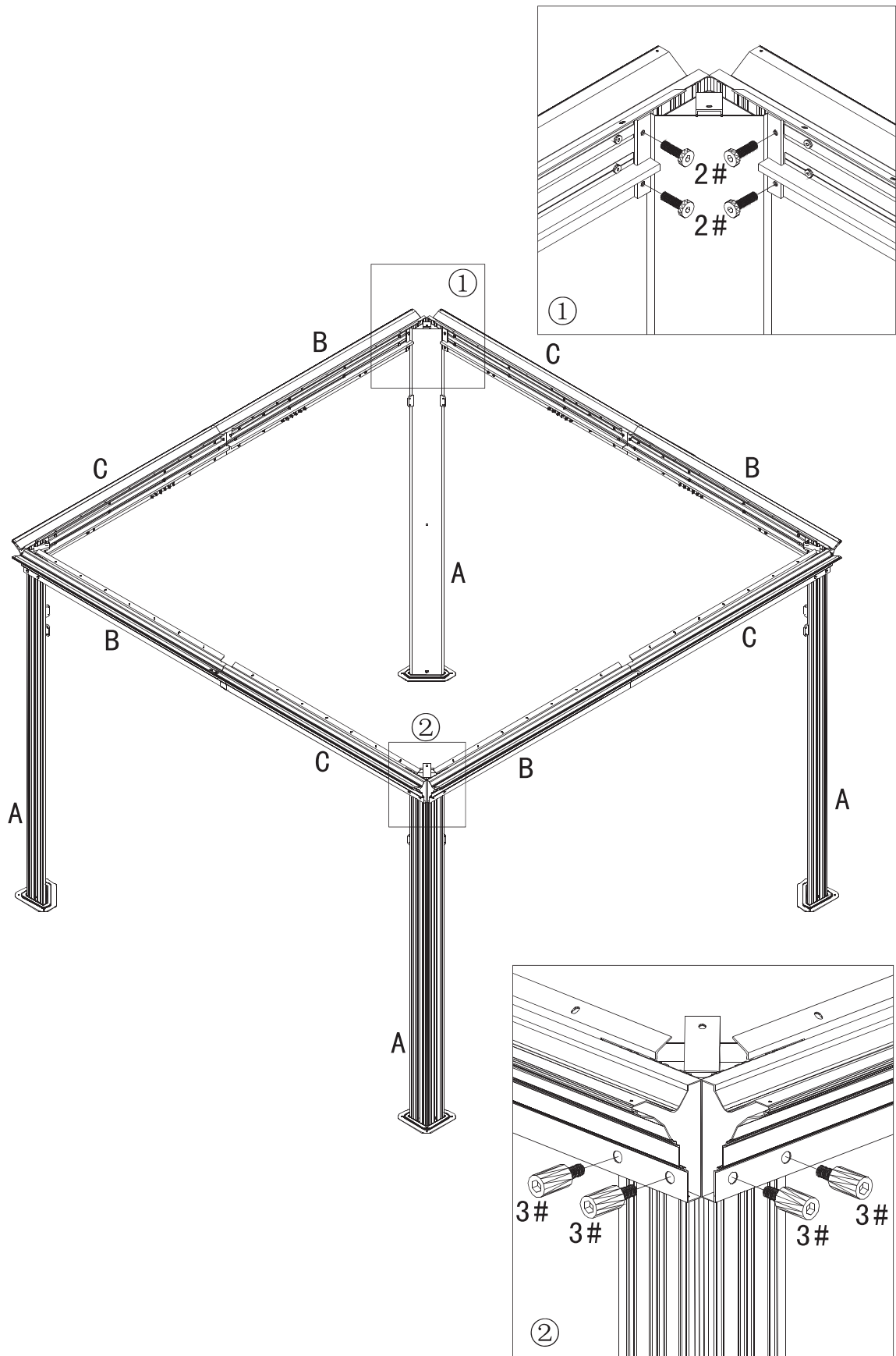
STEP 2



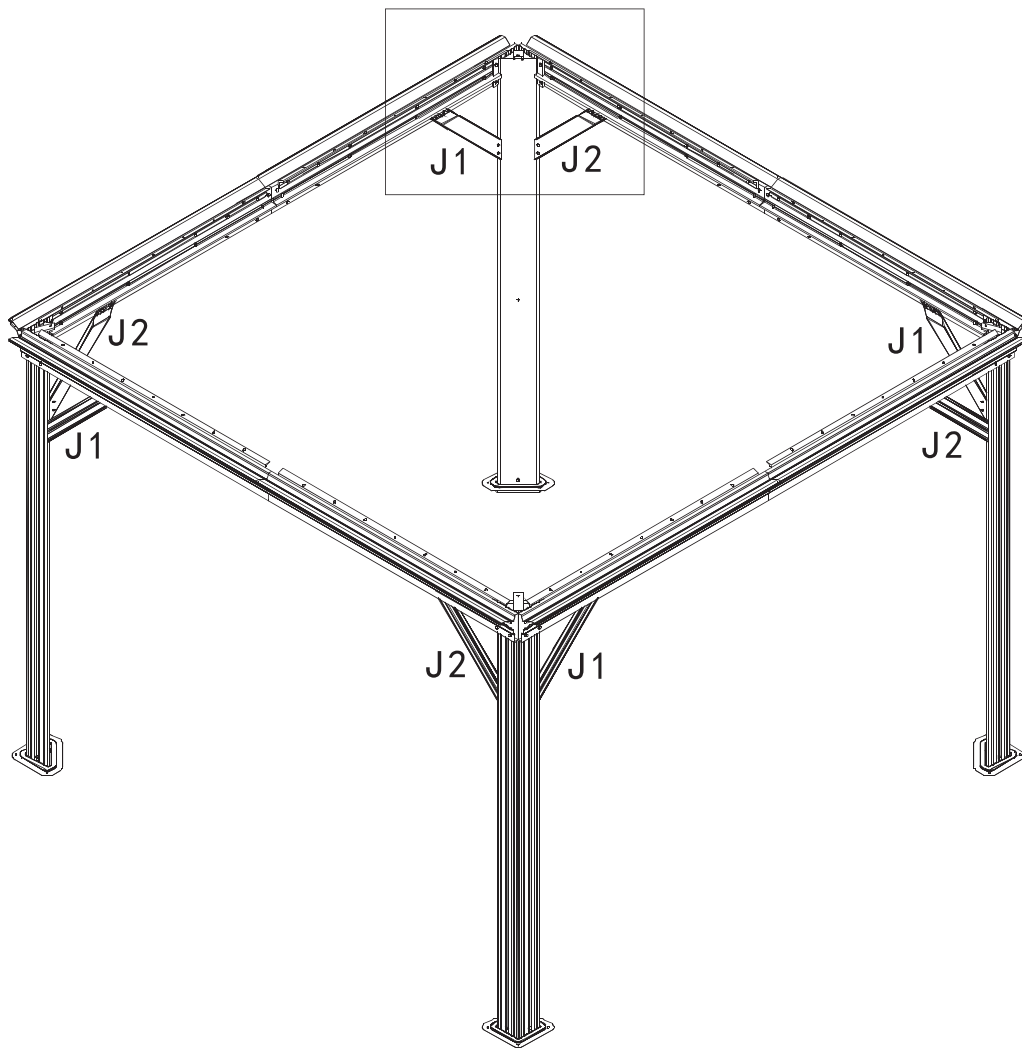
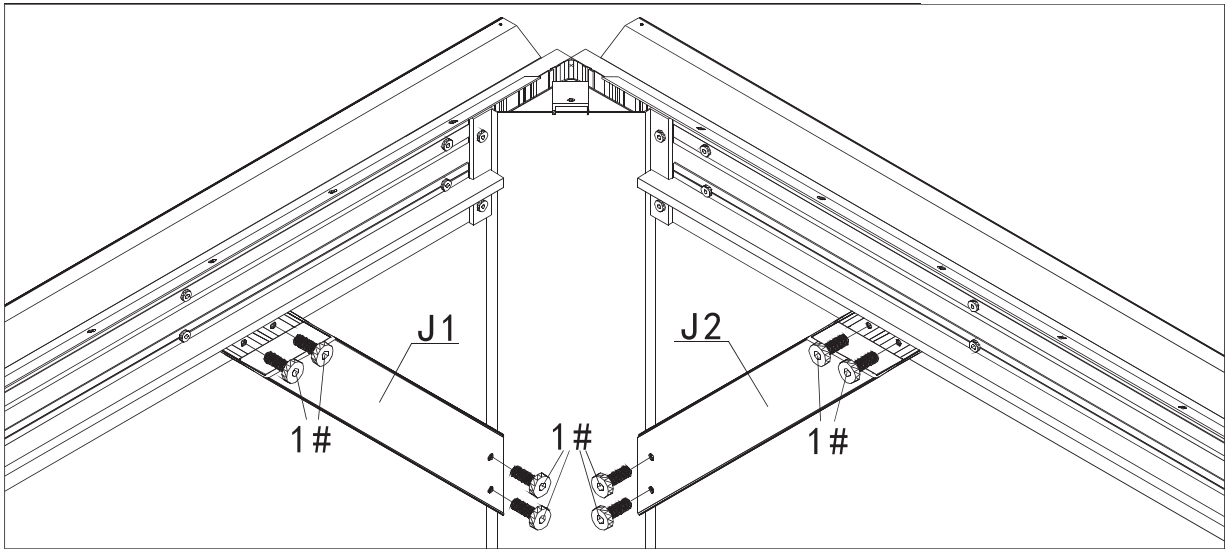
③



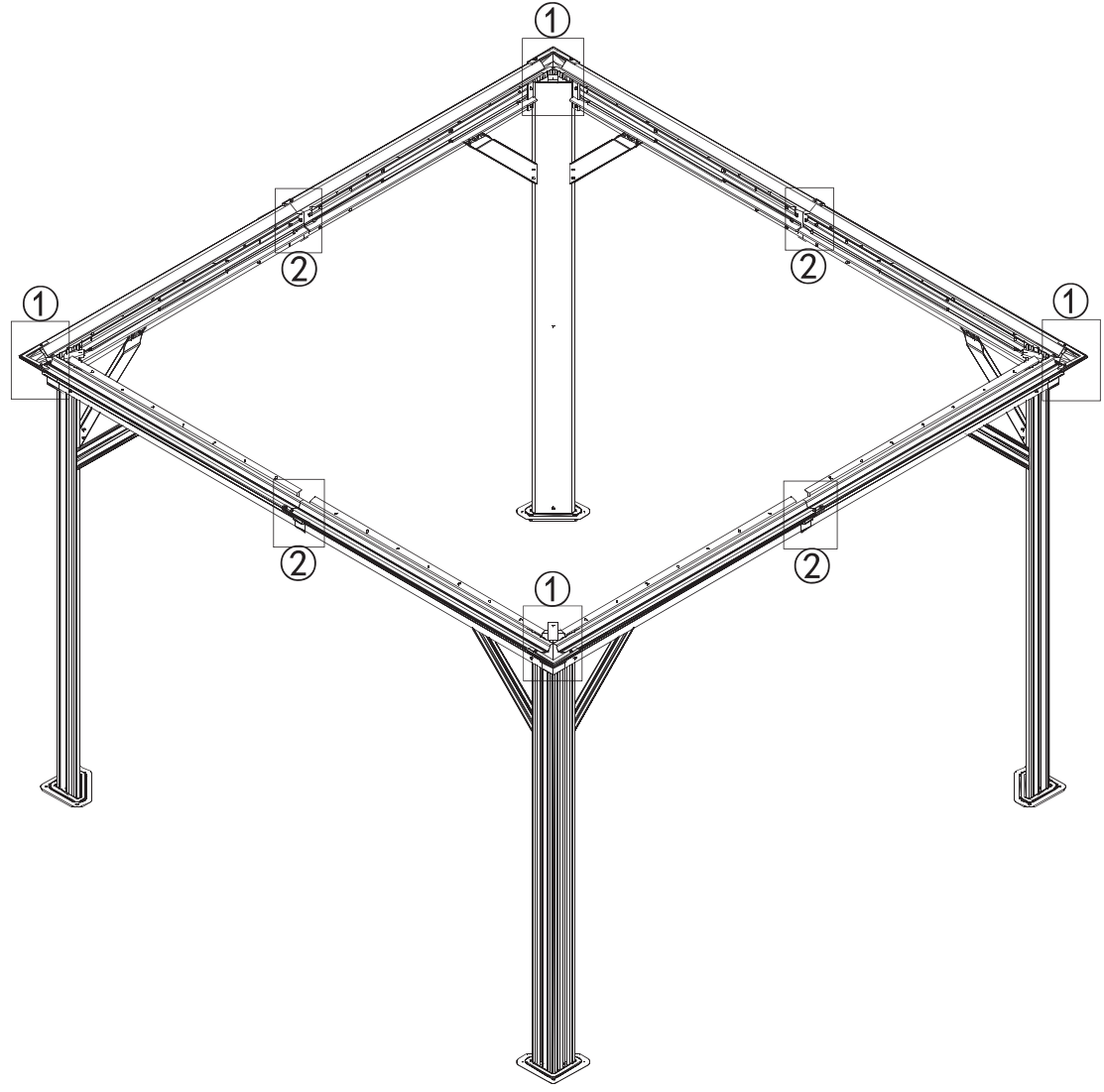
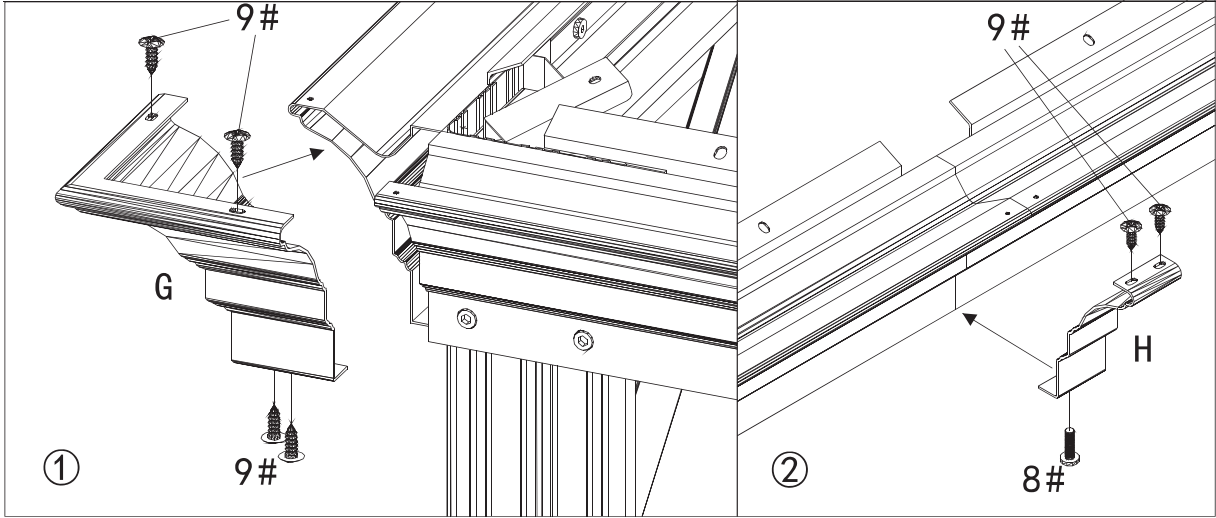
STEP 3



STEP 4

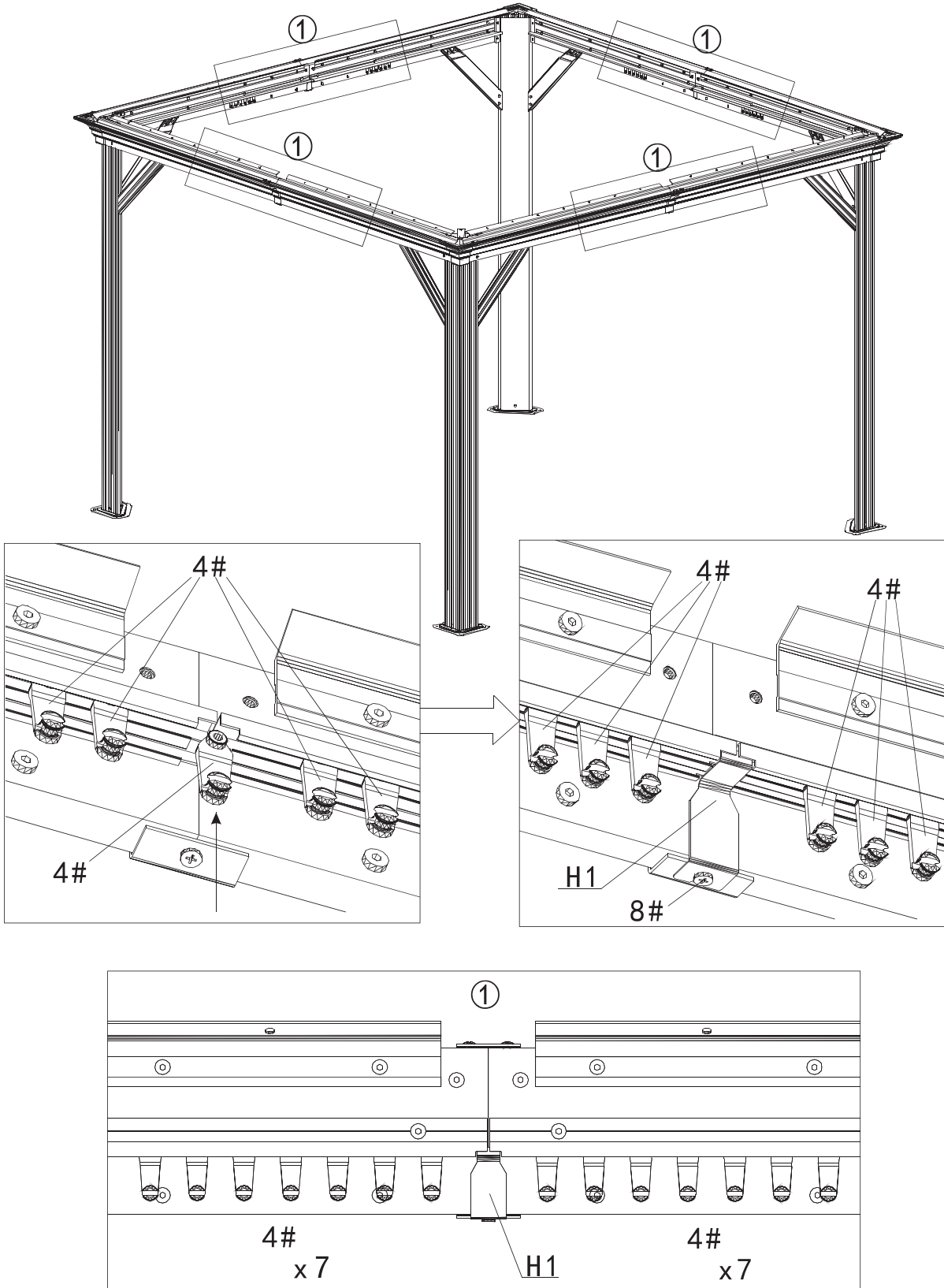


STEP 5

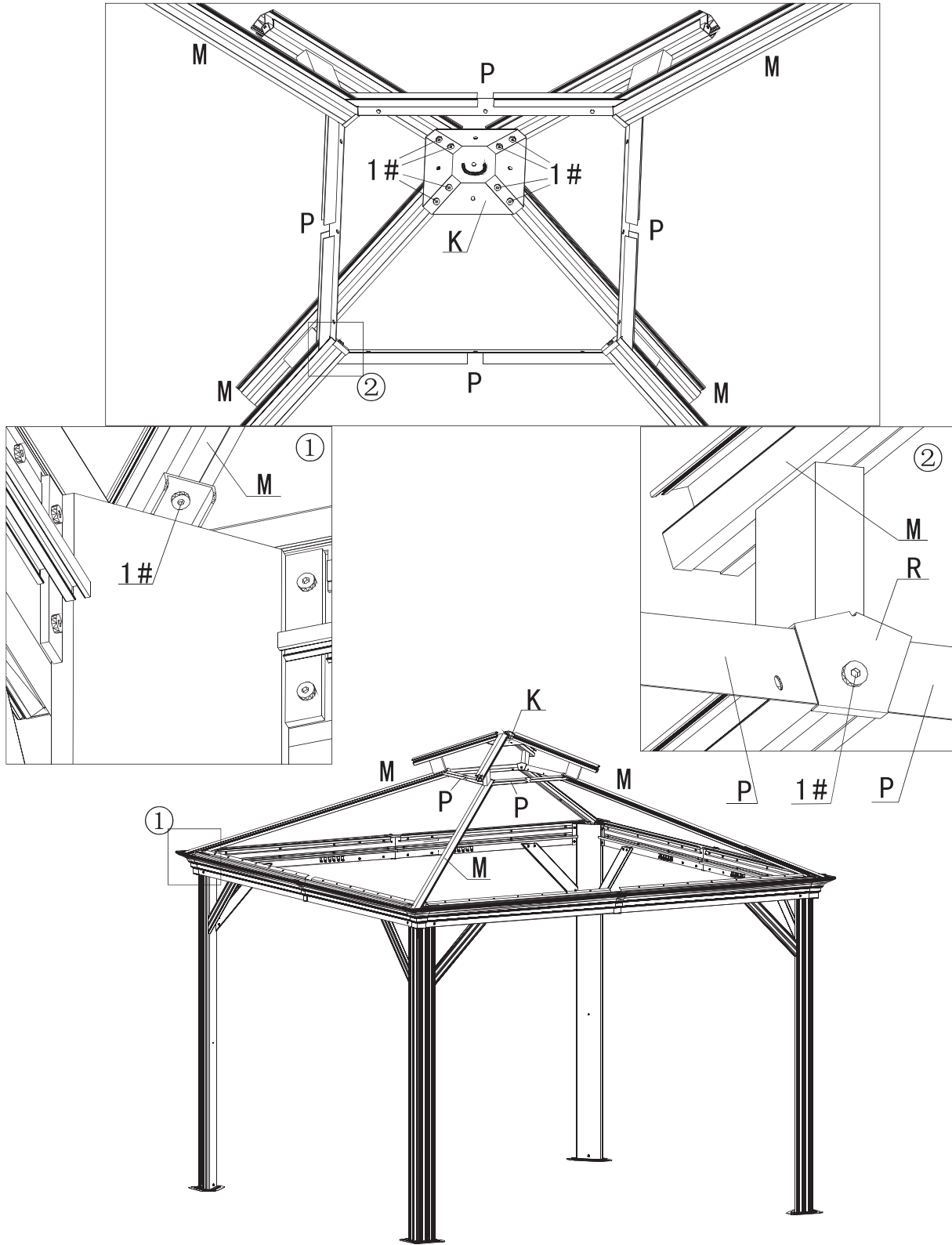


STEP 6

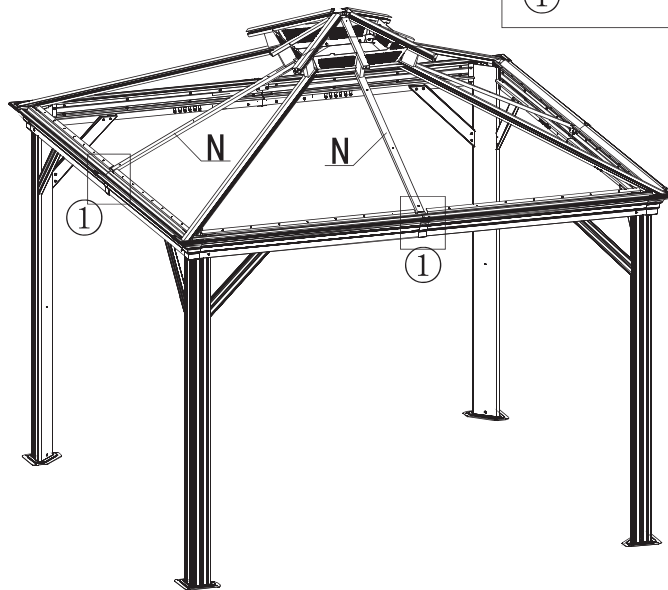
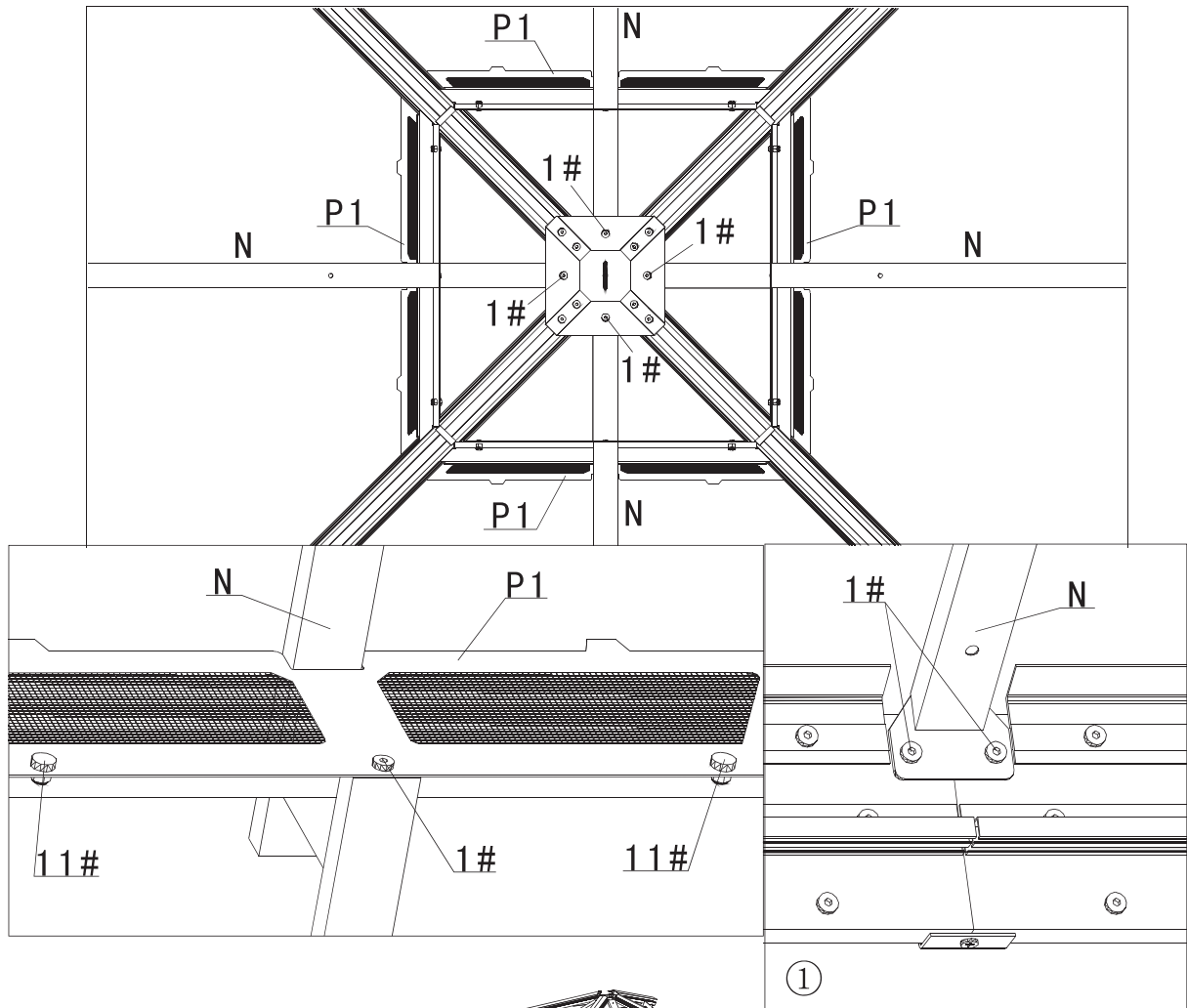
Insert 7 Hooks (4 #) into each of the rails of each track (B2 and C2) (total 14 per track once connected) facing inward as illustrated.



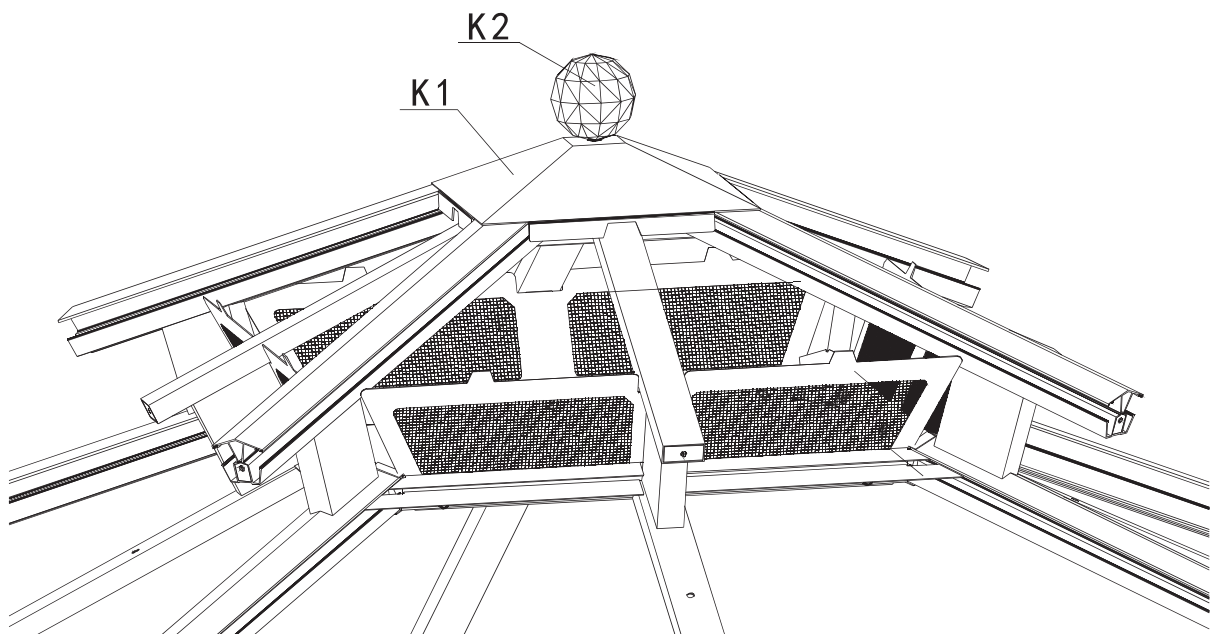
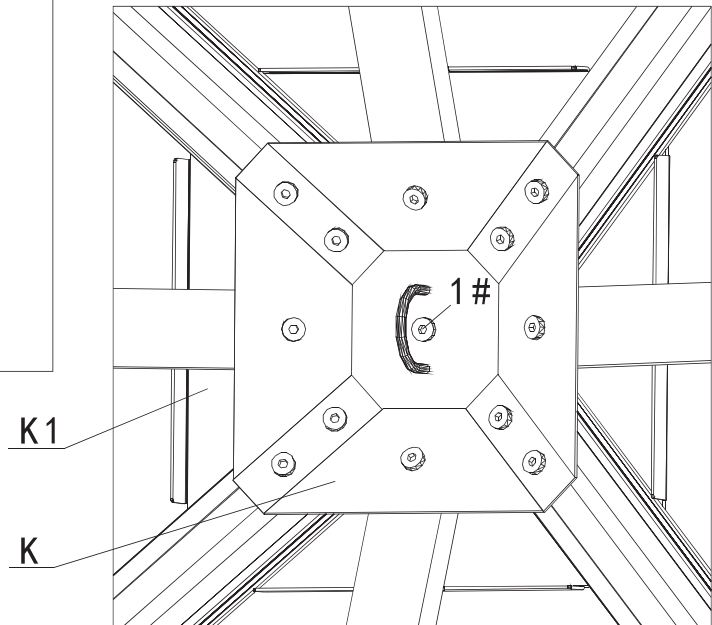
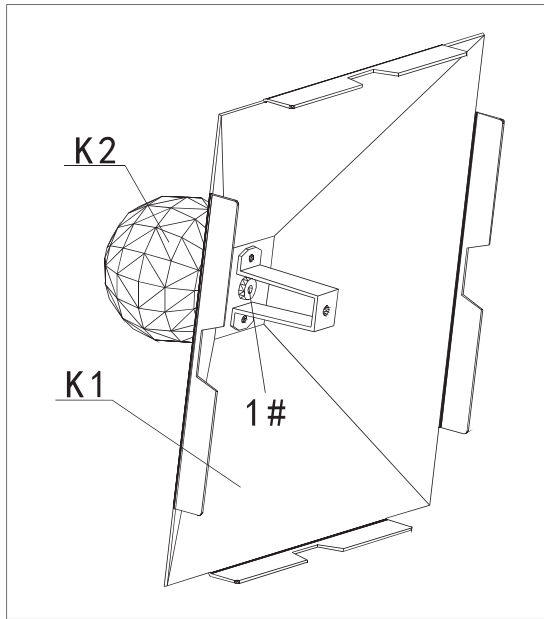
STEP 7



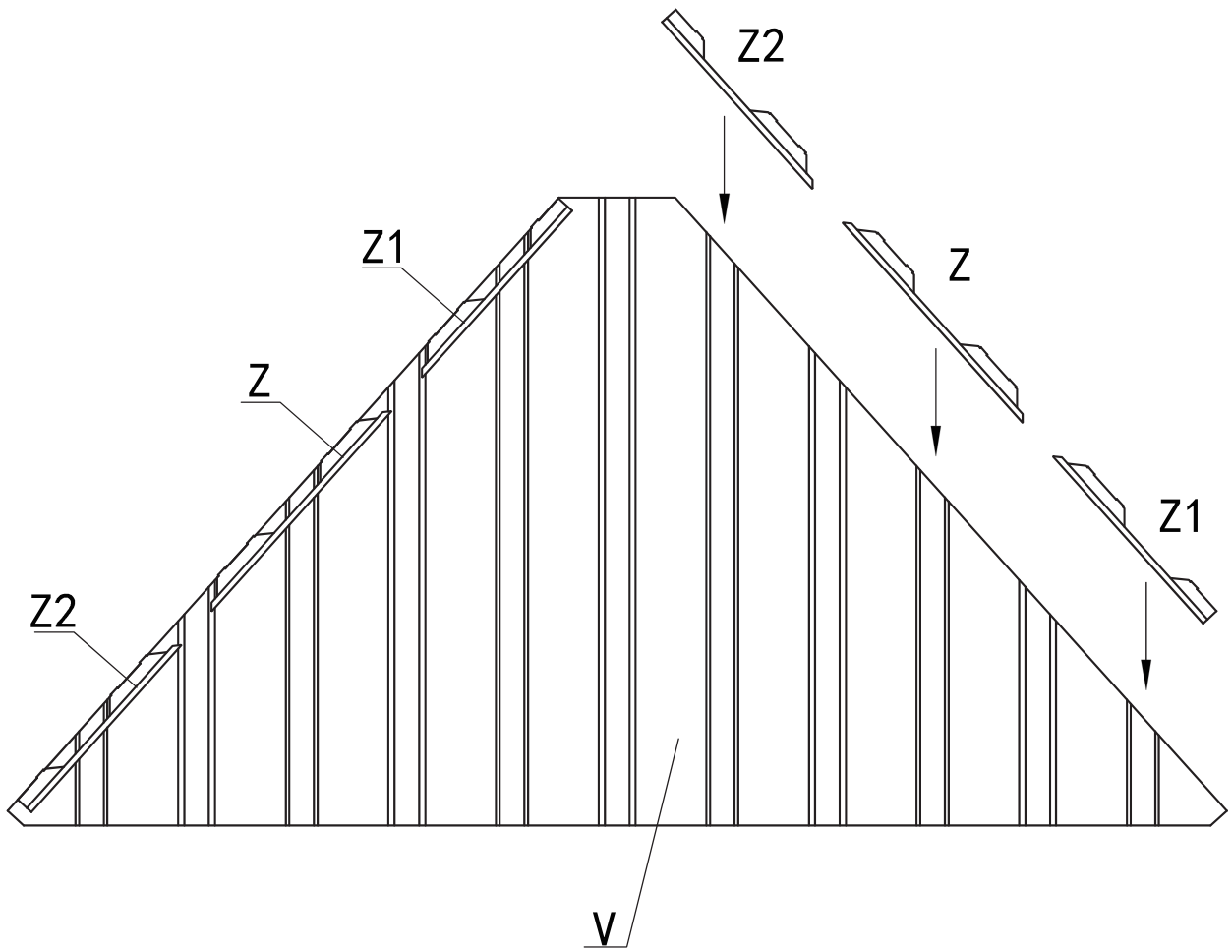
STEP 8



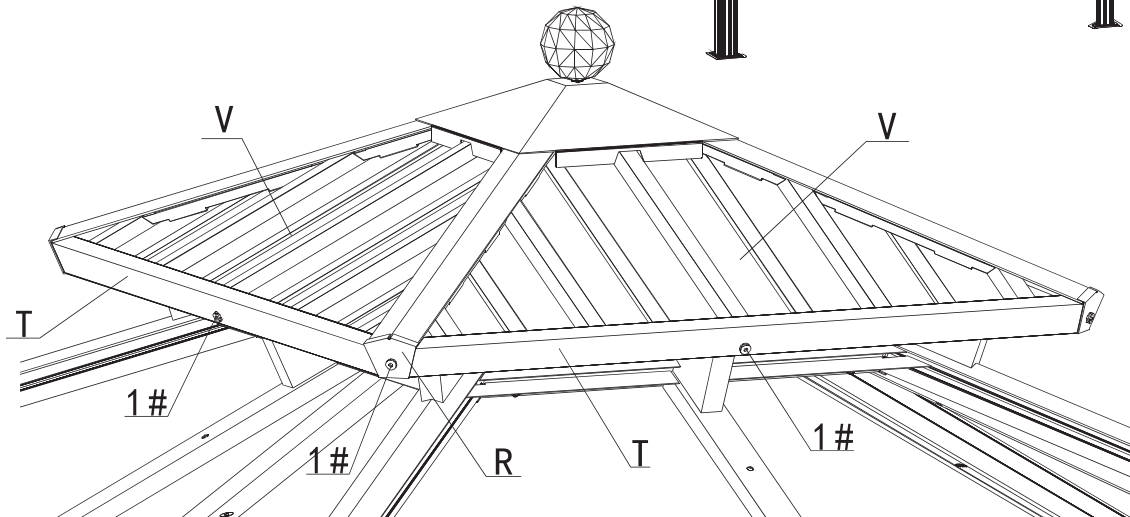
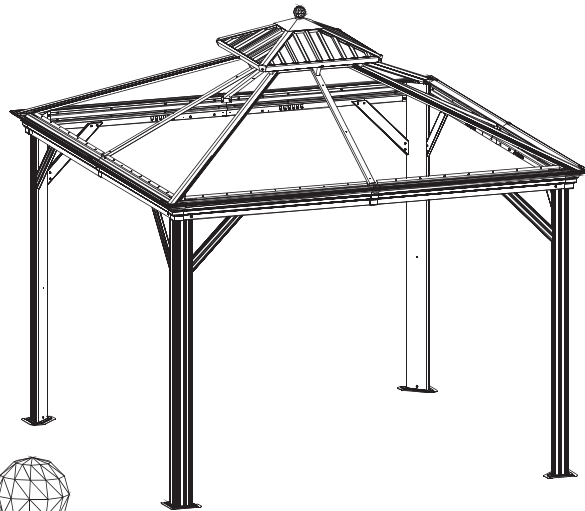
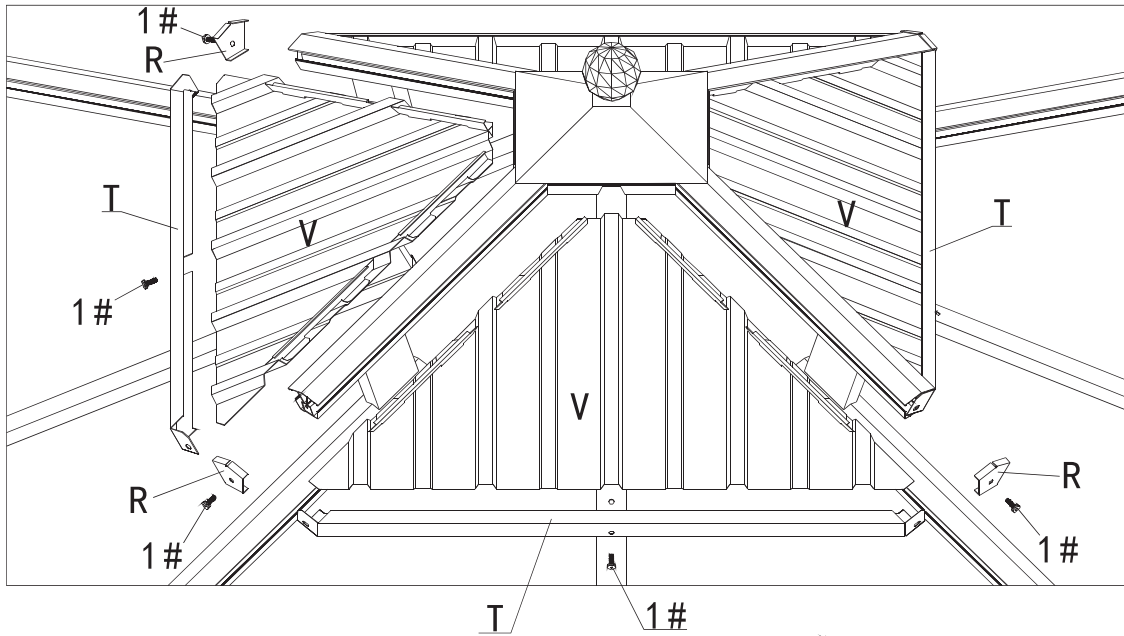
STEP 9



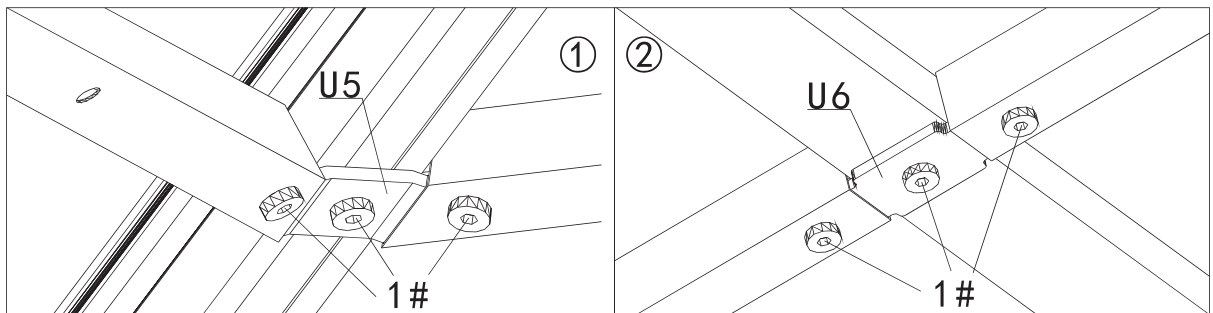
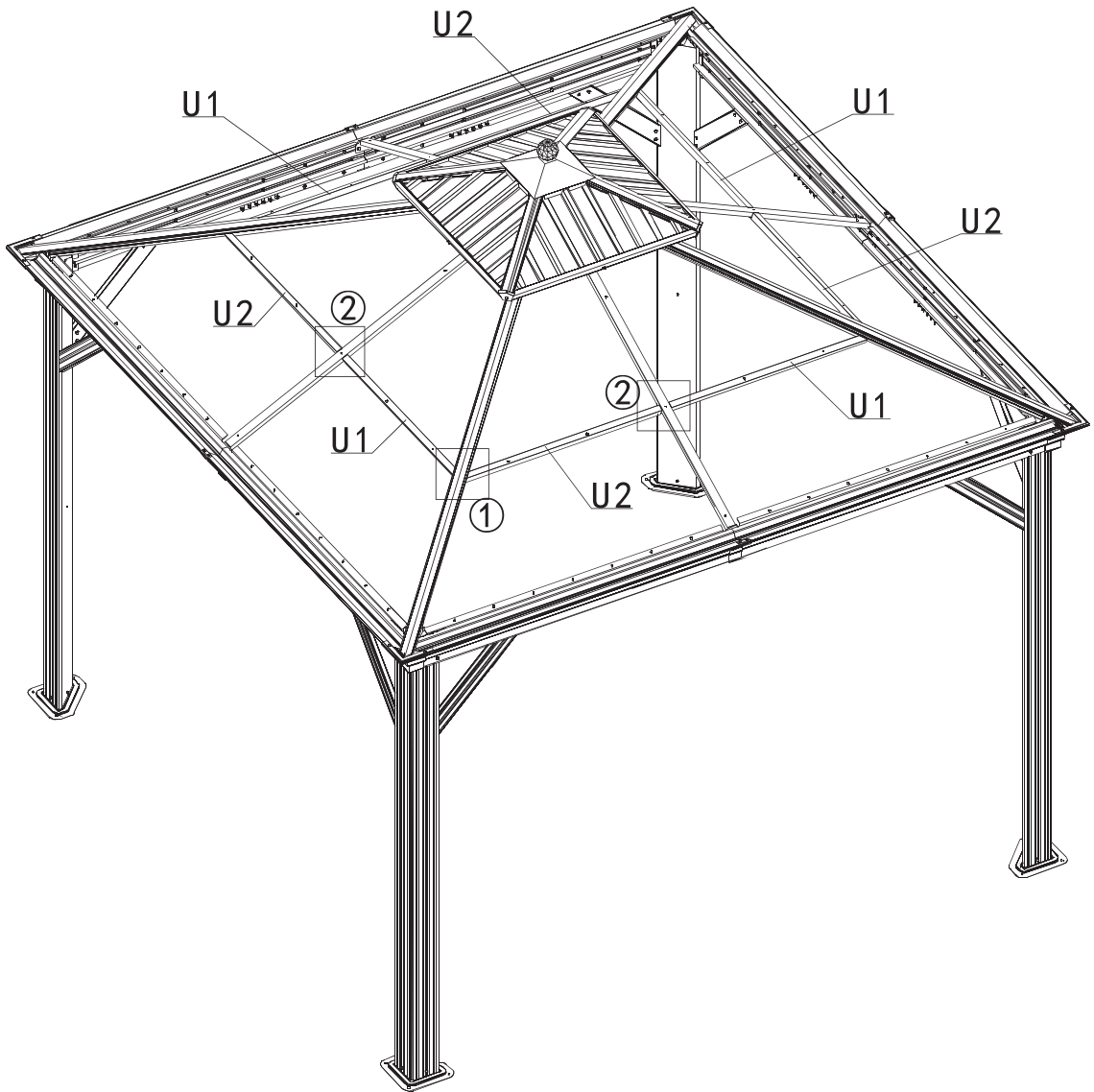
STEP 10



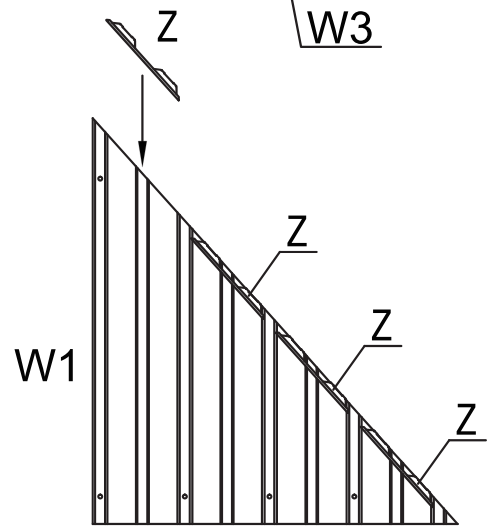
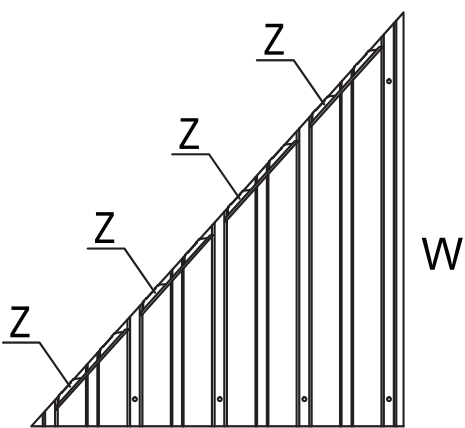
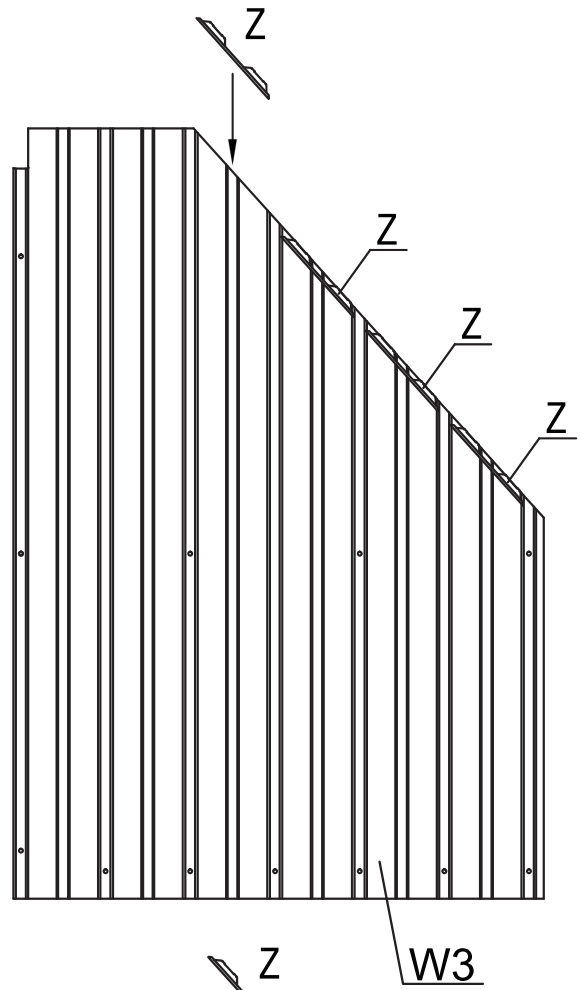
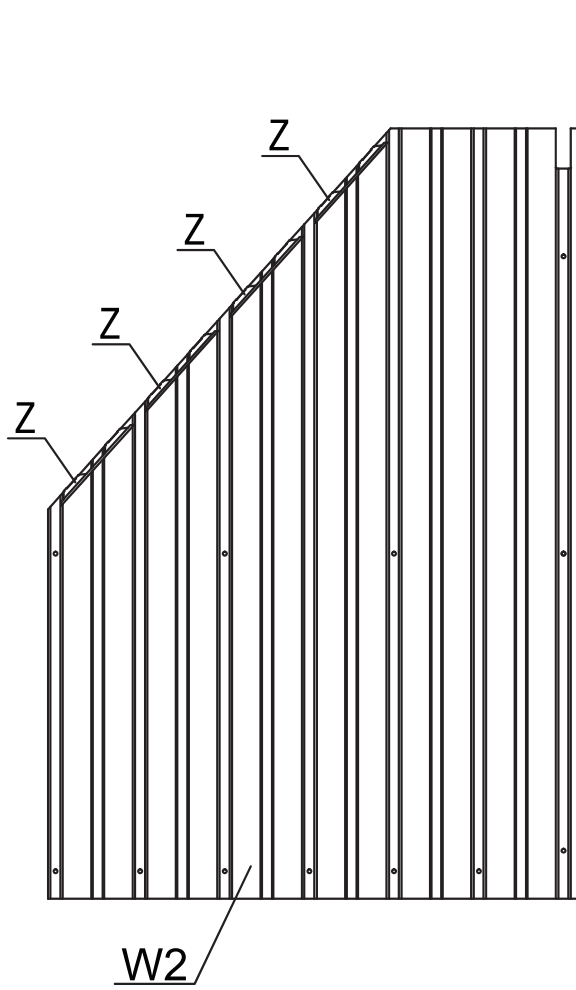
STEP 11



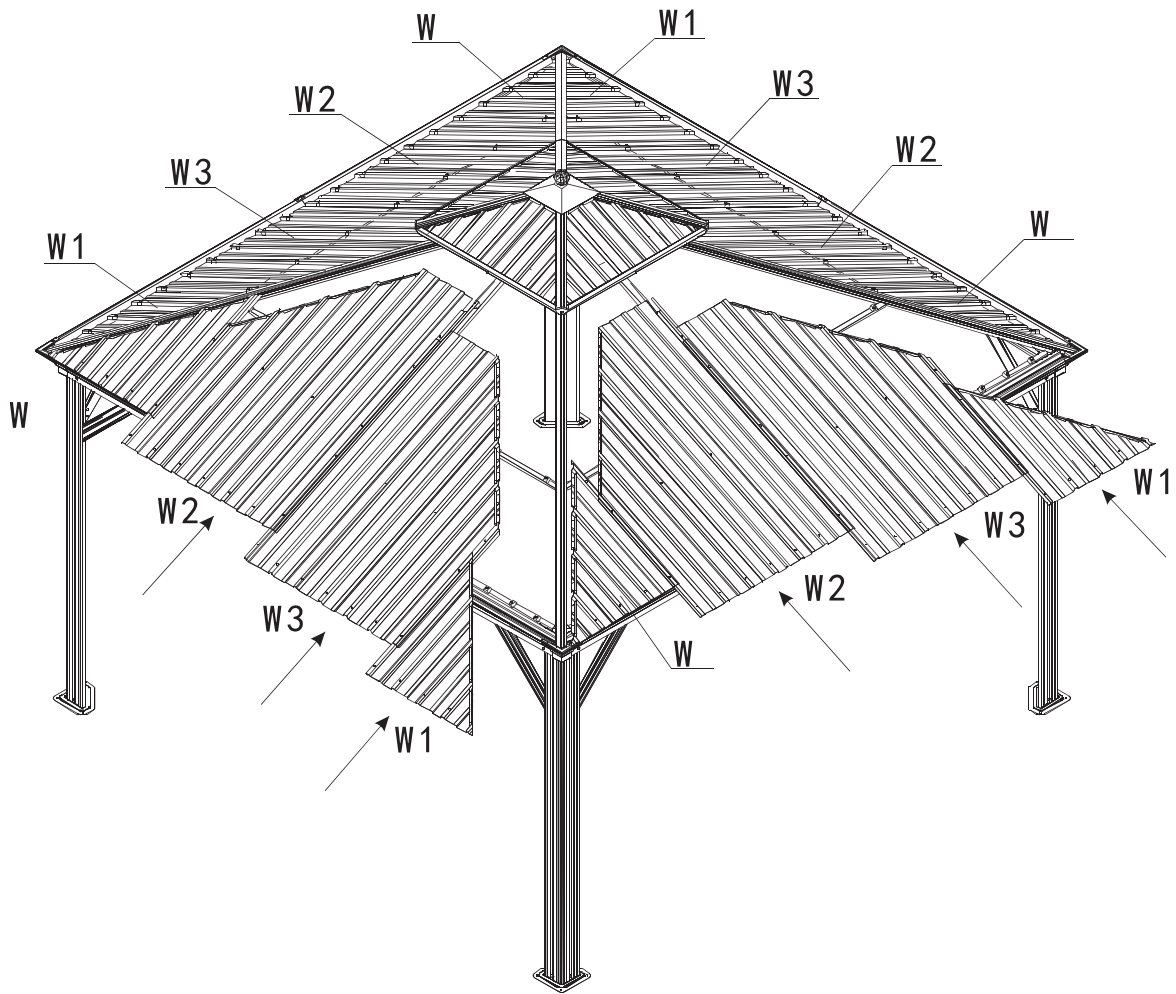
STEP 12



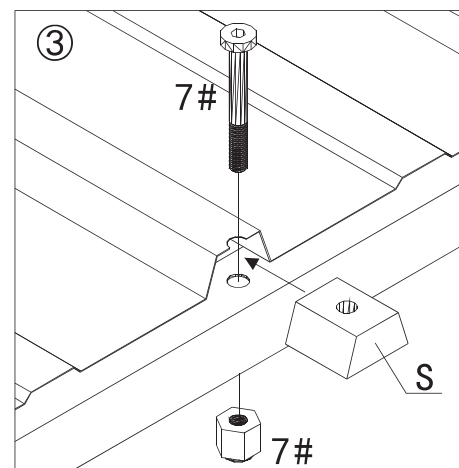
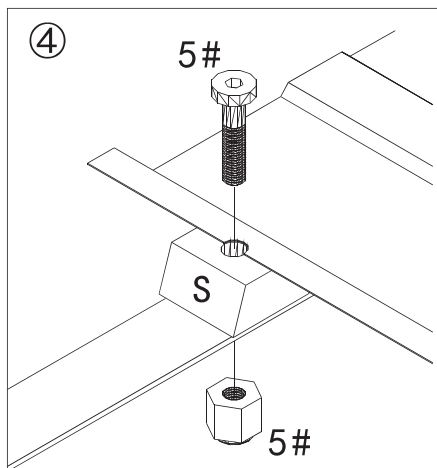
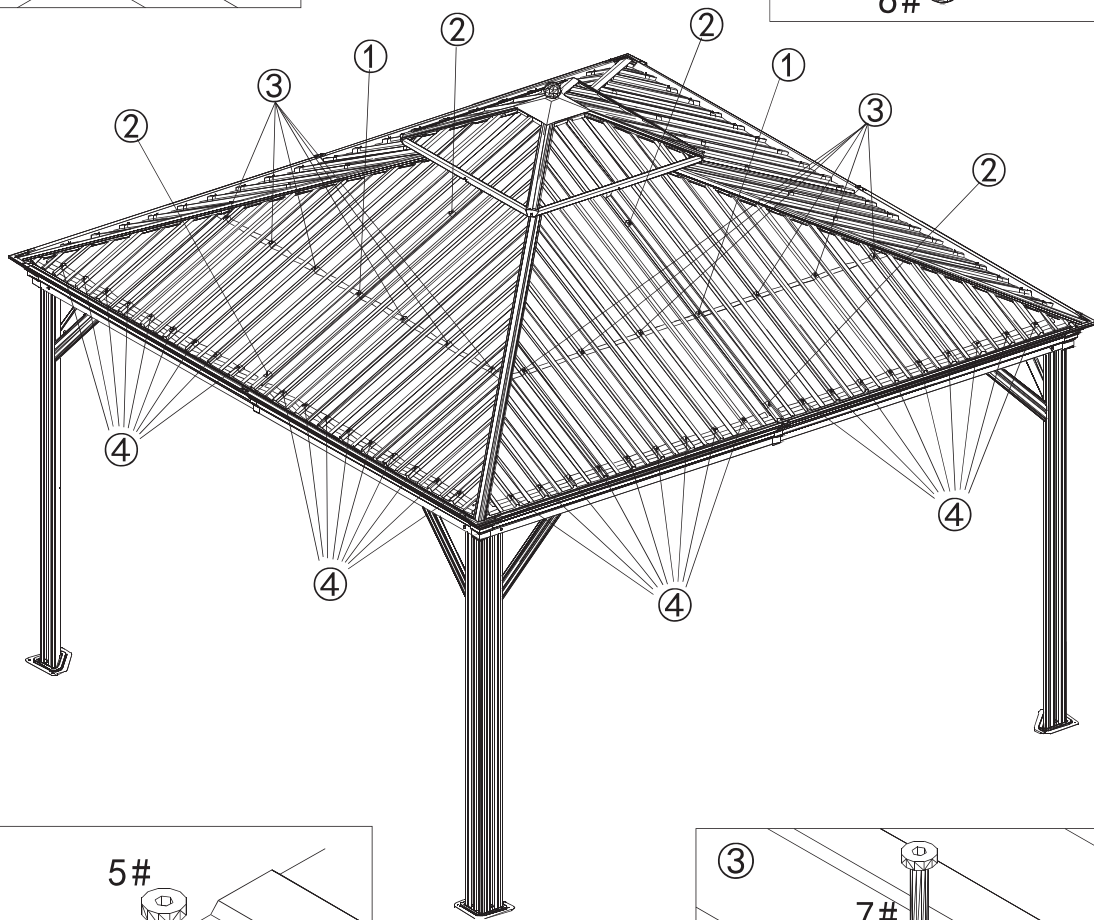
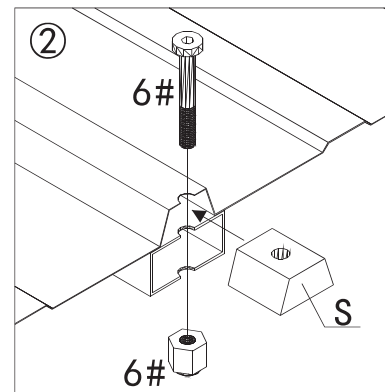
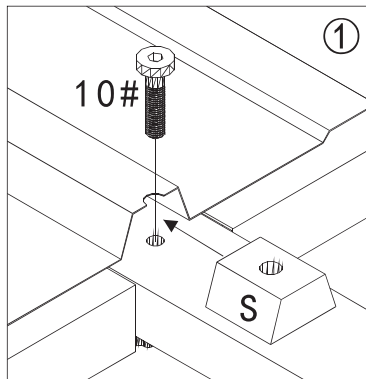
STEP 13



STEP 14



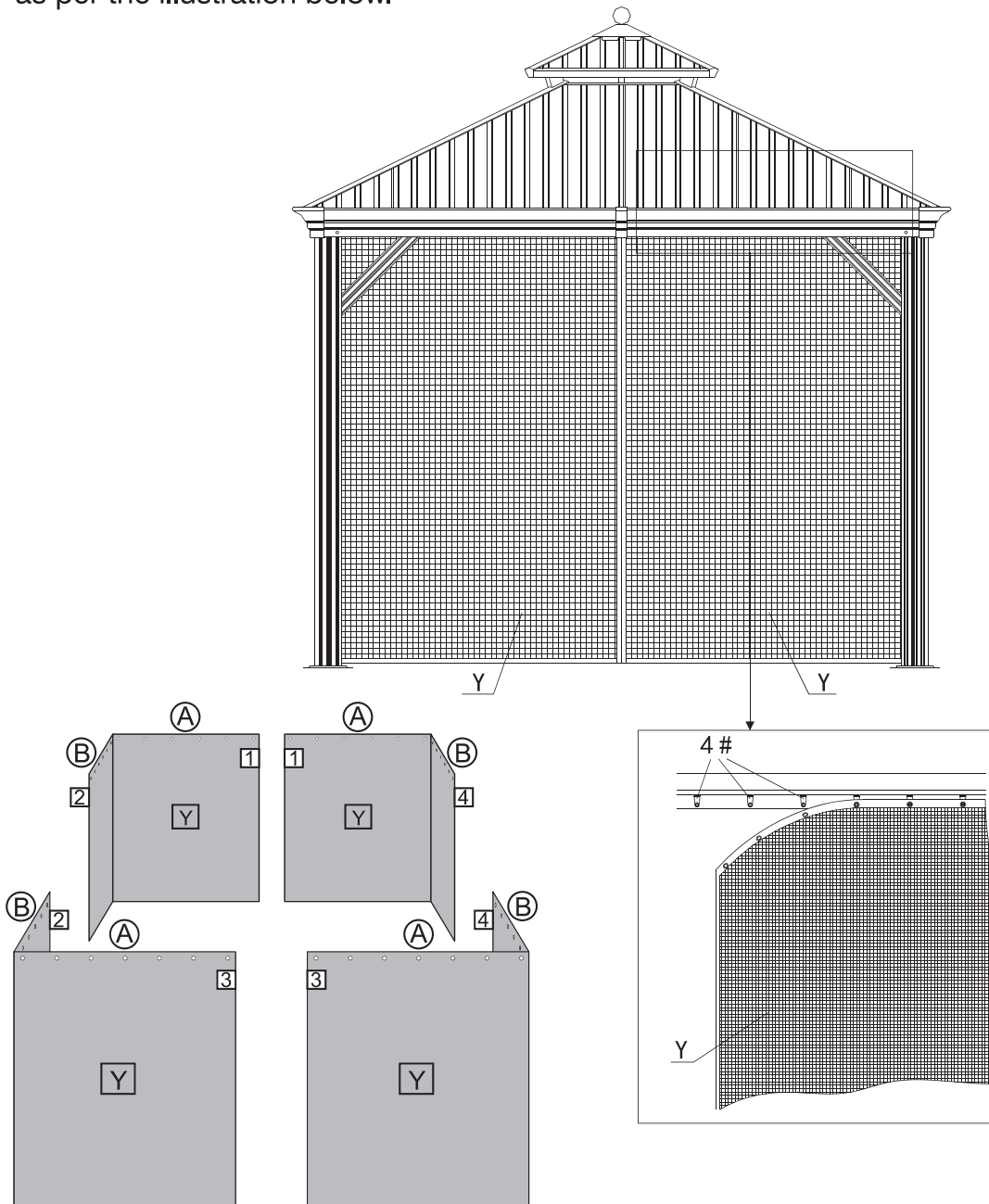
STEP 15



STEP 16

Install the Mosquito Netting (Y) by inserting the eyelets into the Hooks (4 #). Make sure that the zippers are at the center between the columns as illustrated.

Every mosquito netting and curtain section has a numbered tag at the top [1]. When installing them make sure the numbers at the top align in sequence (1-1; 2-2; 3-3; 4-4) as per the illustration below.



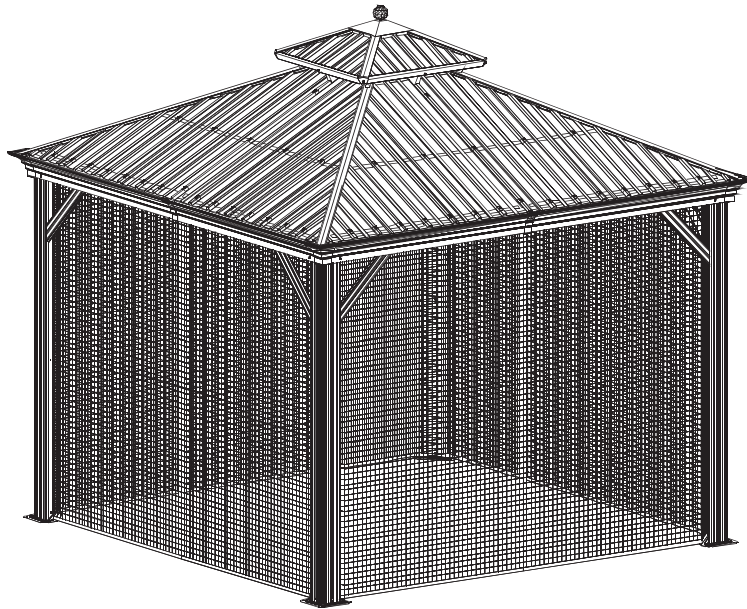
SIZE	SECTION	HOOKS	SECTION	HOOKS
	A	Qty	B	Qty
12' x 12'	12'	7 (x2)	12'	7 (x2)

Make sure the zippers are connected at the center between the columns. The seams of the mosquito netting are at the columns. The same applies for curtains if purchased.

Assembly

STEP 17

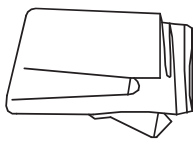
IMPORTANT: The gazebo must be anchored to either wood, stone tiles or concrete using appropriate screws for that flooring. Camp nails cannot be used for permanent anchoring. Failure to do so will nullify the warranty.



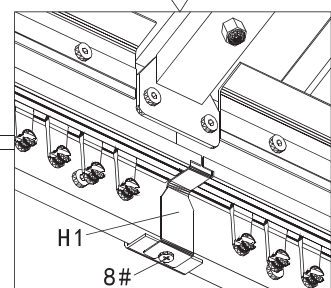
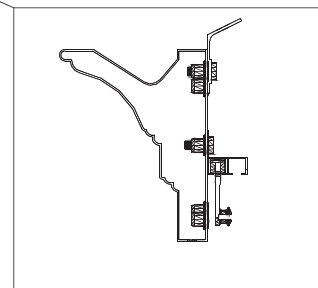
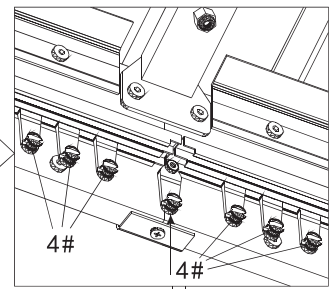
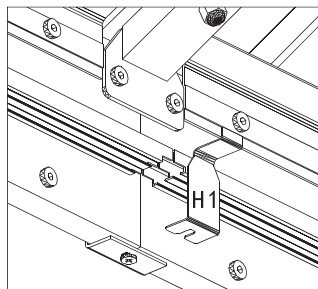
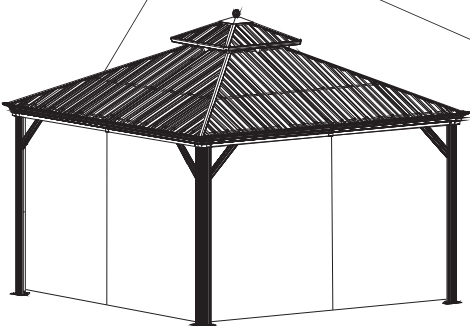
Accessories

***INSTALLATION OF CURTAINS; Outer track**
Follow these diagrams if buying a set of curtains

Optional Items



Curtain





REV20

www.clubpiscine.ca