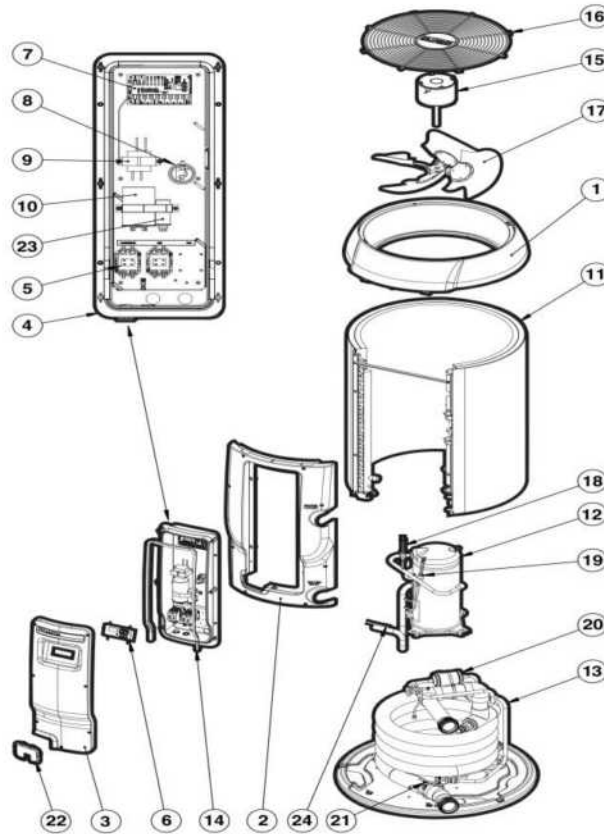


HAYWARD - HEAT PUMP PARTS

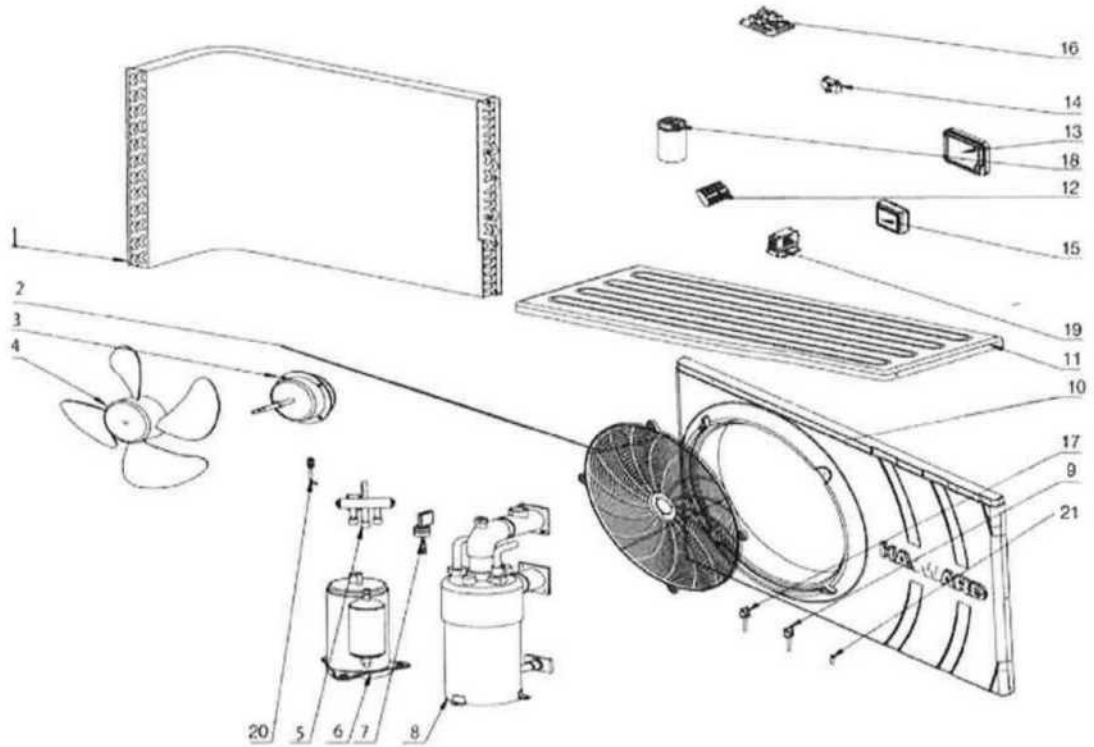


### HAYWARD - HEAT PUMP PARTS - HEATPRO HP21104TC

ITEM PART NUMBER	KEY	PRINTED DESCRIPTION	RETAIL PRICE	QTY TO ORDER
PTS-HPX01023502	1	TOP-FAN	123.99	
PTS-HPX01023505	4	CONTROL BOX	126.99	
PTS-HPX1985	5	CONTACTOR	68.99	
PTS-HPX26024139	6	CONTROL BOARD ASSY.	255.99	
PTS-HPX11024130	7	BOARD-CONTROL, INTERFACE	106.99	
PTS-HPX2181	8	WATER PRESSURE SWITCH	57.99	
PTS-HPX11023693	9	TRANSFORMER	38.99	
PTS-HPX11024270	10	CAPACITOR 45UF, 370VAC	39.99	
PTS-HPX11024272	10	CAPACITOR 70UF,370VAC	38.99	
PTS-SMX11022320	10	CAPACITOR, 80 UF, 440 VAC	50.99	
PTS-HPX11024204	12	COMPRESSOR	1910.99	
PTS-HPX24024712	13	CONDENSER	2233.99	
PTS-HPX11023564	15	FAN MOTOR (HP21002-2C)	305.99	
PTS-HPX01023561	16	FAN GUARD	121.99	
PTS-HPX15024321	17	4-BLADE FAN, 34 PITCH	120.99	
PTS-HPX11024258	18	REPLACEMENT HP SWITCH	69.99	
PTS-HPX11024259	19	REPLACEMENT LP SWITCH	74.99	

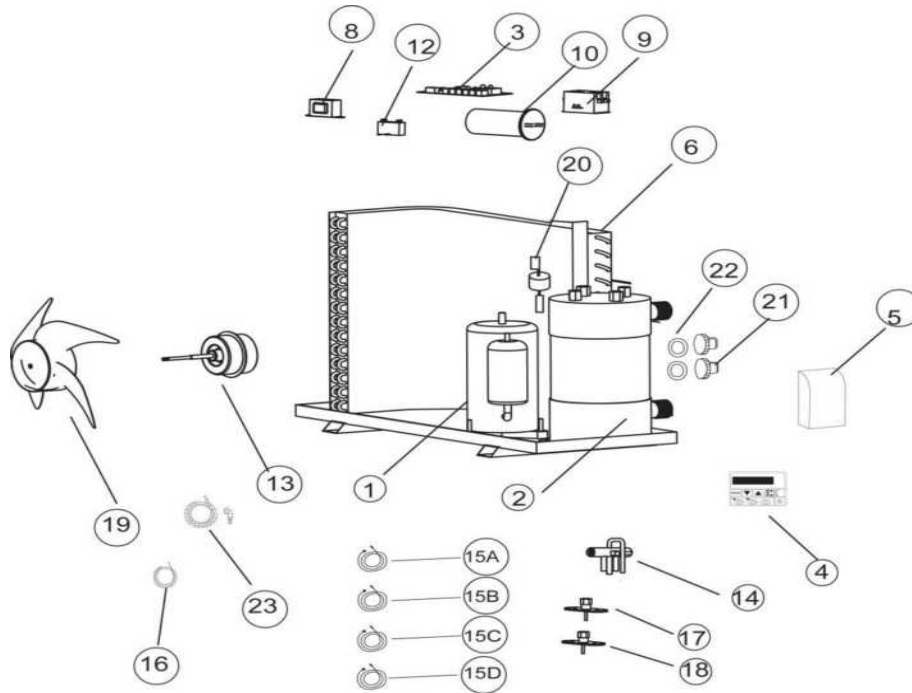
## HAYWARD - HEAT PUMP PARTS - HEATPRO - HP21104TC CONTINUED

ITEM PART NUMBER	KEY	PRINTED DESCRIPTION	RETAIL PRICE	QTY TO ORDER
PTS-HPX15012843	20	KIT-EXP VLV, 4TON, B20	150.99	
PTS-HPX15012842	20	KIT-EXP VLV, 8TON, B10	278.99	
PTS-HPX2169	21	SENSOR	52.99	
PTS-HPX01023760	22	PLUG-ELECTRIC ENTRY	12.99	
PTS-HPX11024151	23	CAPACITOR - 7.5UF, 370VAC	16.99	
PTS-HPX11024169	24	SENSOR-DEFROST	29.99	
PTS-HPX10023517		WIRING HARNESS HP21002/23 &-6002	34.99	
PTS-HPX02024108		BLANKET-COMPRESSOR	103.99	
PTS-HPX10024732		COMPRESSOR EL. PLUG	30.99	
PTS-HPX10024289		COMPRESSOR EL. PLUG	30.99	



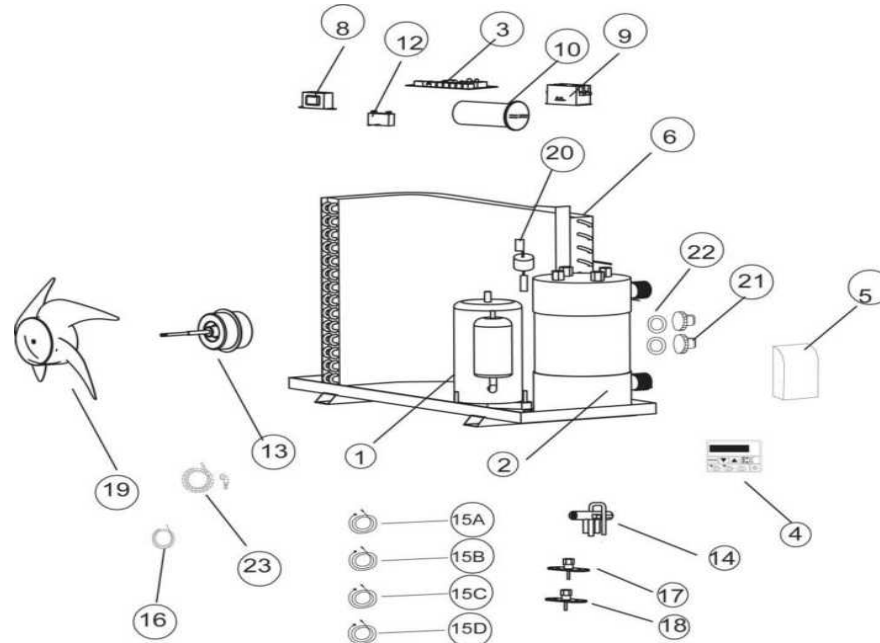
## HAYWARD - HEAT PUMP PARTS - HP50A

ITEM PART NUMBER	KEY	PRINTED DESCRIPTION	RETAIL PRICE	QTY TO ORDER
PTS-HPX32012120020	1	EVAPORATOR	695.99	
PTS-HPX20000330124	3	FAN MOTOR	190.99	
PTS-HPX35002701	4	AXIAL FAN	17.99	
PTS-HPX20011418	5	4-WAY VALVE	74.99	
PTS-HPX20000110041	6	COMPRESSOR	1692.99	
PTS-HPX20000360005	7	WATER FLOW SWICH	63.99	
PTS-HPX32012120014	8	TITANIUM HEAT EXCHANGER	1092.99	
PTS-HPX32012220045	11	COVER - WHITE	97.99	
PTS-HPX20013907	12	TERMINAL BOARD	22.99	
PTS-HPX20002111	13	WATERPROOF BOX	26.99	
PTS-HPX20000350012	14	FAN CAPACITOR	6.99	
PTS-HPX95005310188	15	LCD CONTROLLER	81.99	
PTS-HPX20003603	17	LOW PRESSURE SWITCH	18.99	
PTS-HPX20003505	18	COMPRESSOR CAPACITOR 50UF/450	37.99	
PTS-HPX20000360006	19	AC CONTACTOR	28.99	
PTS-HPX20000140153	20	NEEDLE VALVE 1/2">R410A	18.99	
PTS-HPX20003242	21	TEMPERATURE SENSOR	7.99	



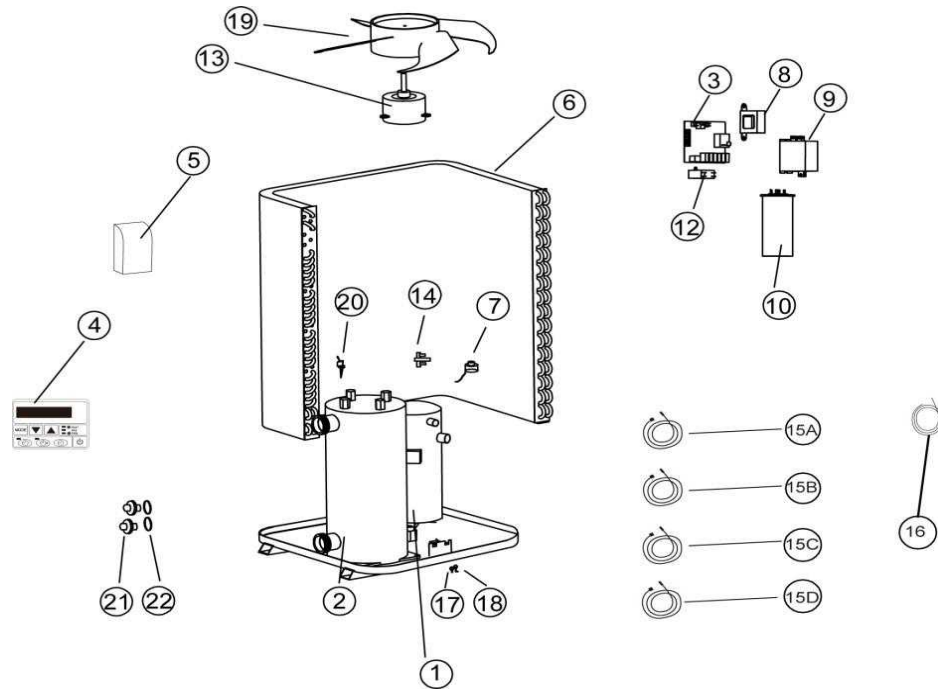
**HAYWARD - HEAT PUMP PARTS - PHCP50 - NAUTYL 45 000 (2014 - 2018)**

ITEM PART NUMBER	KEY	PRINTED DESCRIPTION	RETAIL PRICE	QTY TO ORDER
PTS-HPXWS50CCC	1	COMPRESSOR HP50B	966.99	
PTS-HPXWS50THEB	2	TITANIUM HEAT EXCHANGER PHCP50	1425.99	
PTS-HPXWS56LC	4	LCD CONTROLLER FAIRLAND PHCP50	212.99	
PTS-HPXWS56FCB	5	FULL SETLED COVER BOX PHCP5080	13.99	
PTS-HPXWS50EB	6	EVAPORATOR FOR PHCP50	693.99	
PTS-HPXWS56T	8	FAIRLAND TRANSFORMER	60.99	
PTS-HPXWS56C	9	FAIRLAND CONTACTOR	120.99	
PTS-HPXWS56CC	10	COMPRESSOR CAPACITOR	83.99	
PTS-HPXWS50FMC	12	FAN MOTOR CAPACITOR 3UF	17.99	
PTS-HPXWS50FM	13	FAN ELECTRIC MOTOR	157.99	
PTS-HPXWS56FWV	14	4 WAY VALVE	181.99	
PTS-HPXWS56TMP	15A	POOL WATER TEMP SENSOR	14.99	
PTS-HPXWS56TMP	15B	POOL WATER TEMP SENSOR	14.99	
PTS-HPXWS56TMP	15C	POOL WATER TEMP SENSOR	14.99	
PTS-HPXWS56TMP	15D	POOL WATER TEMP SENSOR	14.99	
PTS-HPXWS56ATS	16	AIR TEMP SENSOR	14.99	
PTS-HPXWS50F	19	FAN	96.99	
PTS-HPXWS56WN	21	WATER NOZZLE 2PK	51.99	
PTS-HPXWS56DTJ	23	DRAINING TUBE & BLACK JOINT	17.99	
PTS-HPXWS56TL	N/S	TERMINAL BLOCK	33.99	



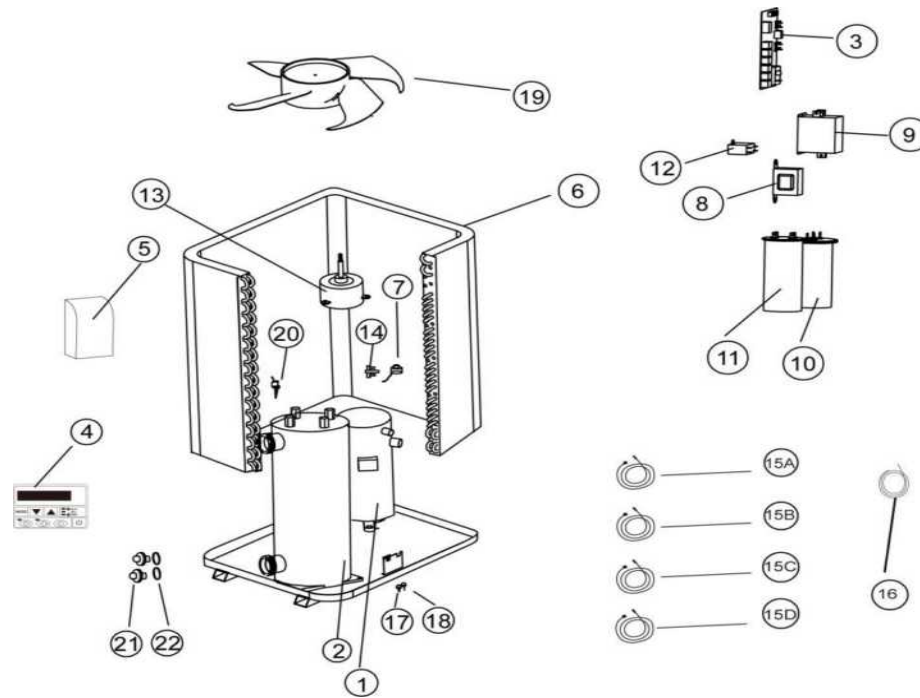
## HAYWARD - HEAT PUMP PARTS - PHCP65 - NAUTYL 65 000 (2014 - 2018)

ITEM PART NUMBER	KEY	PRINTED DESCRIPTION	RETAIL PRICE	QTY TO ORDER
PTS-HPXWS65CCC	1	COMPRESSOR HP65B	1256.99	
PTS-HPXWS65THEB	2	TITANIUM HEAT EXCHANGER PHCP65	2017.99	
PTS-HPXWS56LC	4	LCD CONTROLLER FAIRLAND PHCP50	212.99	
PTS-HPXWS56FCB	5	FULL SETLED COVER BOX PHCP5080	13.99	
PTS-HPXWS65EB	6	EVAPORATOR	980.99	
PTS-HPXWS56T	8	FAIRLAND TRANSFORMER	60.99	
PTS-HPXWS56C	9	FAIRLAND CONTACTOR	120.99	
PTS-HPXWS56CC	10	COMPRESSOR CAPACITOR	83.99	
PTS-HPXWS56FMC	12	FAN MOTOR CAPACITOR 7UF	17.99	
PTS-HPXWS65FM	13	FAN ELECTRIC MOTOR	177.99	
PTS-HPXWS56FWV	14	4 WAY VALVE	181.99	
PTS-HPXWS56TMP	15A	POOL WATER TEMP SENSOR	14.99	
PTS-HPXWS56TMP	15B	POOL WATER TEMP SENSOR	14.99	
PTS-HPXWS56TMP	15C	POOL WATER TEMP SENSOR	14.99	
PTS-HPXWS56TMP	15D	POOL WATER TEMP SENSOR	14.99	
PTS-HPXWS56ATS	16	AIR TEMP SENSOR	14.99	
PTS-HPXWS65F	19	FAN	96.99	
PTS-HPXWS56WN	21	WATER NOZZLE 2PK	51.99	
PTS-HPXWS56DTJ	23	DRAINING TUBE & BLACK JOINT	17.99	
PTS-HPXWS56TL	N/S	TERMINAL BLOCK	33.99	
PTS-HPXWS56OR	N/S	FAIRLAND HP UNION O-RING	1.99	



## HAYWARD - HEAT PUMP PARTS - PHCP80 - NAUTYL 76 000 (2014 - 2018)

ITEM PART NUMBER	KEY	PRINTED DESCRIPTION	RETAIL PRICE	QTY TO ORDER
PTS-HPXWS80CCC	1	COMPRESSOR FOR PHCP 80	1836.99	
PTS-HPXWS80THEB	2	TITANIUM HEAT EXCHANGER PHCP80	2018.99	
PTS-HPXWS56LC	4	LCD CONTROLLER FAIRLAND PHCP50	212.99	
PTS-HPXWS56FCB	5	FULL SETLED COVER BOX PHCP5080	13.99	
PTS-HPXWS80E	6	EVAPORATOR FOR PHCP80	1168.99	
PTS-HPXWS80EV	7	EXPANSION VALVE FOR PHCP80	307.99	
PTS-HPXWS56T	8	FAIRLAND TRANSFORMER	60.99	
PTS-HPXWS56C	9	FAIRLAND CONTACTOR	120.99	
PTS-HPXWS80CC	10	COMPRESSOR CAPACITOR PHCP80	121.99	
PTS-HPXWS80FMC	12	FAN MOTOR CAPACITOR PHCP80	21.99	
PTS-HPXWS80FM	13	FAN ELECTRIC MOTOR FOR PHCP80	350.99	
PTS-HPXWS80FWV	14	4 WAY VALVE FOR PHCP80	166.99	
PTS-HPXWS56TMP	15A	POOL WATER TEMP SENSOR	14.99	
PTS-HPXWS56TMP	15B	POOL WATER TEMP SENSOR	14.99	
PTS-HPXWS56TMP	15C	POOL WATER TEMP SENSOR	14.99	
PTS-HPXWS56TMP	15D	POOL WATER TEMP SENSOR	14.99	
PTS-HPXWS56ATS	16	AIR TEMP SENSOR	14.99	
PTS-HPXWS80F	19	FAN FOR PHCP80	166.99	
PTS-HPXWS56WN	21	WATER NOZZLE 2PK	51.99	
PTS-HPXWS56OR	N/S	FAIRLAND HP UNION O-RING	1.99	



### HAYWARD - HEAT PUMP PARTS - PHCP110 - NAUTYL 100 000 (2014 - 2016)

ITEM PART NUMBER	KEY	PRINTED DESCRIPTION	RETAIL PRICE	QTY TO ORDER
PTS-HPXWS110CCC	1	COMPRESSOR FOR PHCP110	2226.99	
PTS-HPXWS110THE	2	TITANIUM HEATEXCHANGER PHCP110	2018.99	
PTS-HPXWS56LC	4	LCD CONTROLLER FAIRLAND PHCP50	212.99	
PTS-HPXWS56FCB	5	FULL SETLED COVER BOX PHCP5080	13.99	
PTS-HPXWS110E	6	EVAPORATOR FOR PHCP110	1391.99	
PTS-HPXWS110EV	7	EXPANSION VALVE FOR PHCP110	342.99	
PTS-HPXWS56T	8	FAIRLAND TRANSFORMER	60.99	
PTS-HPXWS56C	9	FAIRLAND CONTACTOR	120.99	
PTS-HPXWS80CC	10	COMPRESSOR CAPACITOR PHCP80	121.99	
PTS-HPXWS110CC	11	COMPRESSOR CAPACITOR PHCP110	127.99	
PTS-HPXWS80FMC	12	FAN MOTOR CAPACITOR PHCP80	21.99	
PTS-HPXWS110FM	13	FAN ELECTRIC MOTOR FOR PHCP110	350.99	
PTS-HPXWS56TMP	15A	POOL WATER TEMP SENSOR	14.99	
PTS-HPXWS56TMP	15B	POOL WATER TEMP SENSOR	14.99	
PTS-HPXWS56TMP	15C	POOL WATER TEMP SENSOR	14.99	
PTS-HPXWS56TMP	15D	POOL WATER TEMP SENSOR	14.99	
PTS-HPXWS56ATS	16	AIR TEMP SENSOR	14.99	
PTS-HPXWS110F	19	FAN FOR PHCP110	166.99	
PTS-HPXWS56WN	21	WATER NOZZLE 2PK	51.99	
PTS-HPXWS56OR	N/S	FAIRLAND HP UNION O-RING	1.99	



## HAYWARD - HEATER PARTS - VENTING

ITEM PART NUMBER	KEY	PRINTED DESCRIPTION	RETAIL PRICE	QTY TO ORDER
PTS-DHI150		H150 INDOOR DRAFT HOOD	223.99	
PTS-DHI200		H200 INDOOR DRAFT HOOD	223.99	
PTS-DHI250		H250 INDOOR DRAFT HOOD	223.99	
PTS-DHI300		H300 INDOOR DRAFT HOOD	223.99	
PTS-DHI350		H350 INDOOR DRAFT HOOD	223.99	
PTS-DHI400		H400 INDOOR DRAFT HOOD	223.99	
PTS-HWS150		H150 OUTDOOR DRAFT HOOD-HIGH	165.99	
PTS-HWS200		H200 OUTDOOR DRAFT HOOD-HIGH (WHILE SUPPLIES LAST)	165.99	
PTS-HWS250		H250 OUTDOOR DRAFT HOOD-HIGH	165.99	
PTS-HWS300		H300 OUTDOOR DRAFT HOOD-HIGH (WHILE SUPPLIES LAST)	165.99	
PTS-HWS350		H350 OUTDOOR DRAFT HOOD-HIGH (WHILE SUPPLIES LAST)	165.99	
PTS-HWS400		H400 OUTDOOR DRAFT HOOD-HIGH (WHILE SUPPLIES LAST)	165.99	
PTS-UHXNEGVT11506		KIT NEG-VER 150 INDOOR ADPTR	337.99	
PTS-UHXNEGVT12006		KIT NEG-VER 200 INDOOR ADPTR	337.99	
PTS-UHXNEGVT12506		KIT NEG-VER 250 INDR. 6" ADPTR	337.99	
PTS-UHXNEGVT13001		KIT NEG-VER 300 INDOOR ADPTR (WHILE SUPPLIES LAST)	337.99	
PTS-UHXNEGVT13008		KIT NEG-VER 300 INDOOR ADPTR	337.99	
PTS-UHXNEGVT13501		KIT NEG-VER 350 INDOOR ADPTR (WHILE SUPPLIES LAST)	337.99	
PTS-UHXNEGVT13508		KIT NEG-VER 350 INDOOR ADPTR	337.99	
PTS-UHXNEGVT14008		KIT NEG-VER 400 INDOOR ADPTR	337.99	
PTS-UHXPOSHZ11501		KIT POS-HOR 150 INDOOR ADPTR (WHILE SUPPLIES LAST)	474.99	
PTS-UHXPOSHZ11506		KIT POS-HOR 150 INDOOR ADPTR	474.99	
PTS-UHXPOSHZ12001		KIT POS-HOR 200 INDOOR ADPTR (WHILE SUPPLIES LAST)	474.99	
PTS-UHXPOSHZ12006		KIT POS-HOR 200 INDOOR ADPTR	474.99	
PTS-UHXPOSHZ12501		KIT POS-HOR 250 INDOOR ADPTR (WHILE SUPPLIES LAST)	474.99	
PTS-UHXPOSHZ12506		KIT POS-HOR 250 INDOOR ADPTR	474.99	
ACC-UHXPOSHZ12504		KIT POS HORIZ 250 INDR 4" ADPT	432.99	
PTS-UHXPOSHZ13001		KIT POS-HOR 300 INDOOR ADPTR (WHILE SUPPLIES LAST)	474.99	
PTS-UHXPOSHZ13008		KIT POS-HOR 300 INDOOR ADPTR	474.99	
PTS-UHXPOSHZ13508		KIT POS-HOR 350 INDOOR ADPTR	474.99	
PTS-UHXPOSHZ14001		KIT POS-HOR 400 INDOOR ADPTR (WHILE SUPPLIES LAST)	474.99	
PTS-UHXPOSHZ14008		KIT POS-HOR 400 INDOOR ADPTR	474.99	
PTS-UHXPOSHZ14002		KIT POS HORIZ 400 INDR 6" ADPT (WHILE SUPPLIES LAST)	432.99	
PTS-UHXPOSHZ14006		KIT POS HORIZ 400 INDR 6" ADPT	432.99	
PTS-UHXPOSHZ15006		KIT POS HOR 500 INDOOR ADPTR	430.99	
PTS-IDXLLEN1931		6/24"V-PIPE 150>250 FD/IDL	125.99	

## HAYWARD - HEATER PARTS - VENTING CONTINUED

ITEM PART NUMBER	KEY	PRINTED DESCRIPTION	RETAIL PRICE	QTY TO ORDER
PTS-IDXLLEN1930		6/18" VENT PIPE-250 FDN/IDL	159.99	
PTS-IDXLELB1930		6"/90 ELBOW 150>250 FD/IDL	190.99	
PTS-IDXLCAP1930		6"/WALL & TERM.CAP 250 FD/IDL	529.99	
PTS-FDXLLEN1930		8/24" V PIPE-300>400 FD	172.99	
PTS-FDXLLEN1931		8/18" V PIPE-300>400 FD	157.99	
PTS-FDXLELB1930		8"/90 ELBOW-300>400 FD	262.99	
PTS-FDXLCAP1930		8"/WALL & TERM.CAP 300>400 FD	606.99	