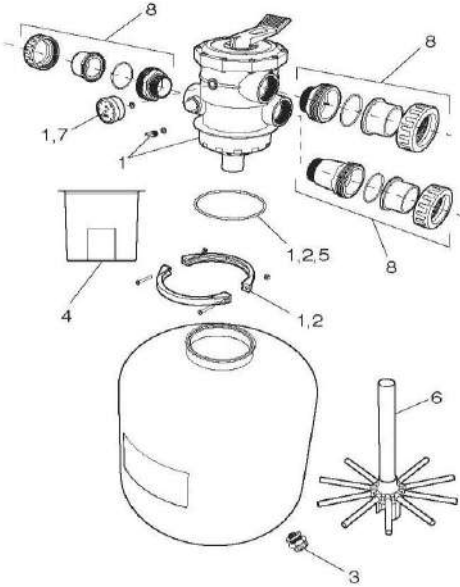
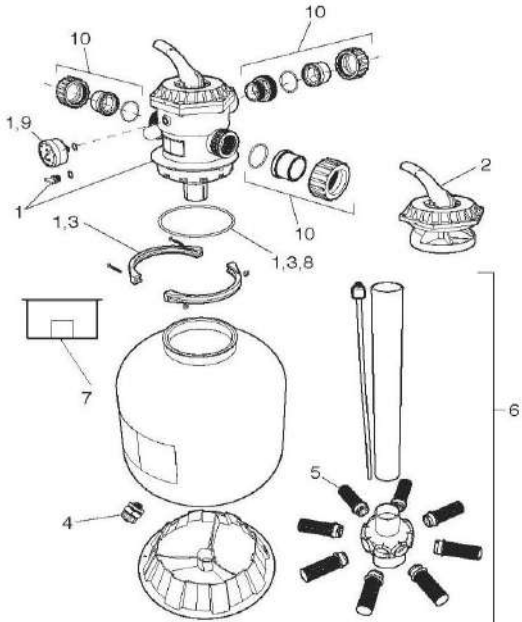


JANDY/ZODIAC - SAND FILTER PARTS - SFTM SFTM24-2.0



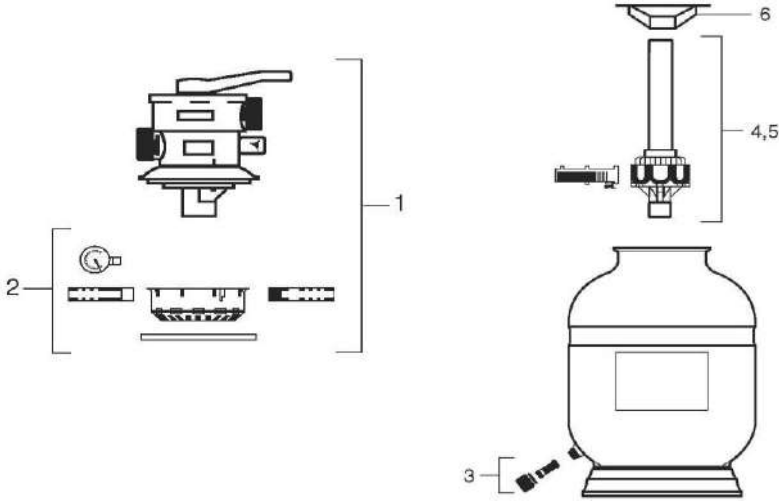
ITEM PART NUMBER	KEY	PRINTED DESCRIPTION	RETAIL PRICE	QTY TO ORDER
PTS-R0745700	1	Complete Multi-Port Valve w/ Clamp Assembly (SFTM24-2.0)	427.99	
PTS-R0745100	2	Flange Clamp Assembly	67.99	
PTS-R0745200	3	Drain Cap and O-Ring	29.99	
PTS-R0746100	4	Sand Deflector (SFTM24-2.0)	7.99	
PTS-R0745800	5	O-Ring Valve Tank	20.99	
PTS-R0746000	6	Lateral & Standpipe Assembly (SFTM24-2.0)	241.99	
PTS-R0745000	7	Pressure Gauge Assembly	25.99	
PTS-R0746200	8	Complete 2" Unions With Adapter Kit (SFTM24-2.0)	72.99	

JANDY/ZODIAC - SAND FILTER PARTS - SFTM SFTM22-1.5



ITEM PART NUMBER	KEY	PRINTED DESCRIPTION	RETAIL PRICE	QTY TO ORDER
PTS-R0744600	1	Complete Multi-Port Valve w/Clamp Assembly (SFTM22-1.5)	262.99	
PTS-R0744700	2	Top Rotor Assembly (SFTM22-1.5)	136.99	
PTS-R0745100	3	Flange Clamp Assembly	67.99	
PTS-R0745200	4	Drain Cap and O-Ring	29.99	
PTS-R0745300	5	Lateral Full Set (SFTM22-1.5)	92.99	
PTS-R0745400	6	Lateral & Standpipe Assembly (SFTM22-1.5)	145.99	
PTS-R0745500	7	Sand Deflector (SFTM22-1.5)	7.99	
PTS-R0745800	8	O-Ring Valve Tank	20.99	
PTS-R0745000	9	Pressure Gauge Assembly	25.99	
PTS-R0745600	10	Complete 1.5" Unions Kit (SFTM22-1.5)	61.99	

**JANDY/ZODIAC - SAND FILTER PARTS - SFTM SFTM22,
SFTM25(DISCONTINUED)**



ITEM PART NUMBER	KEY	PRINTED DESCRIPTION	RETAIL PRICE	QTY TO ORDER
PTS-SFTMMPV	1	Complete Multiport Valve	241.99	
PTS-R0492100	3	Drain Nozzle, Assembly Replacement Kit SFTM Filter	30.99	
PTS-R0492200	4	22" Lateral Kit, Snap Fit Replacement Kit	148.99	
PTS-R0492300	5	25" Lateral Kit, Snap Fit Replacement Kit	154.99	
PTS-R0492700	6	Sand Deflector Cover, SFTM	7.99	
PTS-R0492600	N/S	Complete 1 1/2" Union With Adapter, Replacement Kit	57.99	
PTS-R0503100	N/S	SFTM Accessory Bag Kit	141.99	