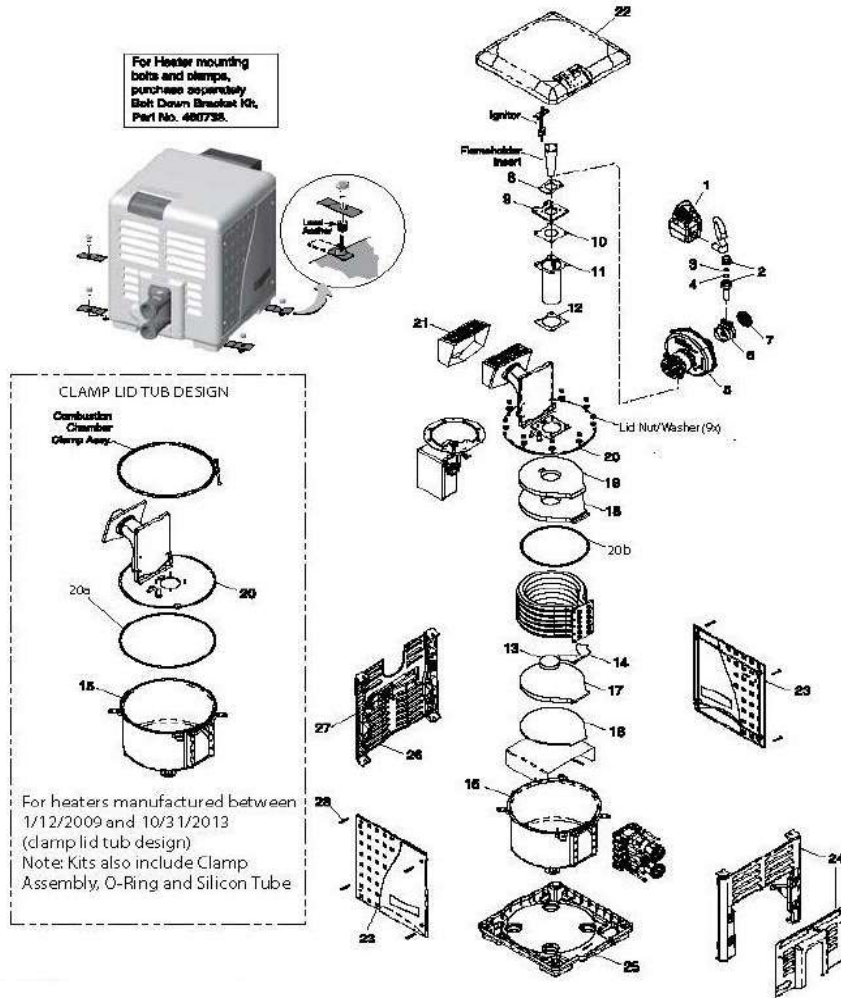


PENTAIR - HEATER PARTS



PENTAIR - HEATER PARTS - MASTERTEMP BURNER SYSTEM

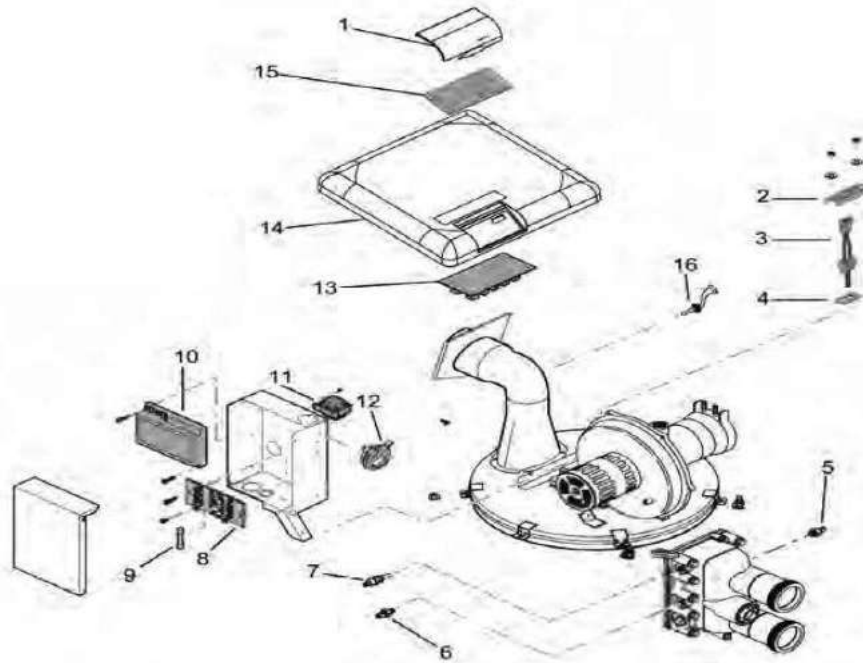
ITEM PART NUMBER	KEY	PRINTED DESCRIPTION	RETAIL PRICE	QTY TO ORDER
HEATER BURNER SYSTEM				
PTS-420010051S	1	SVC KIT COMB GAS VLV	544.99	
PTS-384044097S	2	UNION 3/4 IN FOR SERVICE	44.99	
PTS-777070250	5	COMBUSTION BLOWER KIT 175K NA	1030.99	
PTS-777070251	5	COMBUSTION BLOWER KIT 200K NA	1030.99	
PTS-460743	5	KIT COMBUSTION BLWR 250K NA	958.99	
PTS-460757	5	KIT COMBUSTION BLWR 300K NA	958.99	
PTS-777070253	5	COMBUSTION BLOWER KIT 400K NA	1030.99	
PTS-777070254	5	COMBUSTION BLOWER KIT 200K LP	1030.99	
PTS-460744	5	KIT COMBUSTION BLWR 250K LP	958.99	
PTS-460758	5	KIT COMBUSTION BLWR 300K LP	958.99	
PTS-777070256	5	COMBUSTION BLOWER KIT 400K LP	1030.99	
PTS-460798	6,7	KIT AIR ORFC 175K	53.99	
PTS-777070111	7	AIR ORIFICE KIT 200K	81.99	

PENTAIR - HEATER PARTS - MASTERTEMP BURNER SYSTEM CONTINUED

ITEM PART NUMBER	KEY	PRINTED DESCRIPTION	RETAIL PRICE	QTY TO ORDER
HEATER BURNER SYSTEM				
PTS-460745	7	KIT AIR ORIFICE 250K	75.99	
PTS-460759	7	KIT AIR ORIFICE 300K	75.99	
PTS-777070113	7	AIR ORIFICE KIT 400K	81.99	
PTS-474095	15	KIT TUB CC	849.99	
PTS-474957	15	KIT TUB CC 9 BOLT	528.99	
PTS-474094	20	KIT LID CC	961.99	
PTS-474958	20	KIT LID CC 9 BOLT	601.99	
PTS-474201	20A	ORING ME MT TUB RPLCMNT	59.99	
PTS-474952	20B	KIT HTR CC GSKT 9 BOLT	56.99	
PTS-4200200055	21	METAL VENT CVR KIT HTR	163.99	
PTS-420020034Z	22	TOP MLDD RPLCMNT MT	437.99	
PTS-420020039Z	23	KIT DOOR MOLDED MT RPLCMNT	427.99	
PTS-420020033Z	24	KIT FRONT SIDE MOLDED MT RPLCMNT	427.99	
PTS-420020031Z	25	MT BOTTOM CVR ASSY	200.99	
PTS-420020032Z	26	KIT MT BACK PANEL	323.99	
PTS-420020041Z	27	KIT MT JBOX COVER	21.99	
PTS-474292	28	HARDWARE MT PNL RPLC	27.99	
PTS-461002	N/S	KIT 175K GAS ORIFICE	67.99	
PTS-777070431	N/S	GAS ORIFICE KIT 200K NA	67.99	
PTS-460739	N/S	KIT GAS ORIFICE 250K NA	62.99	
PTS-460753	N/S	KIT GAS ORIFICE 300K NA	62.99	
PTS-777070411	N/S	GAS ORIFICE KIT 400K NA	67.99	
PTS-460797	N/S	KIT ADJ ORFC 175 LP	101.99	
PTS-777070461	N/S	GAS ORIFICE KIT 200K LP	67.99	
PTS-460740	N/S	KIT GAS ORIFICE 250K LP	62.99	
PTS-460754	N/S	KIT GAS ORIFICE 300K LP	62.99	
PTS-777070441	N/S	GAS ORIFICE KIT 400K LP	67.99	
PTS-460794	N/S	KIT CONVERSION NG TO LP 175K	93.99	
PTS-777071461	N/S	CONVERSION KIT NA-LP 200K	70.99	
PTS-460741	N/S	KIT CONVERSION NA-LP 250K	65.99	
PTS-460755	N/S	KIT CONVERSION NA-LP 300K	65.99	
PTS-777071441	N/S	CONVERSION KIT NA-LP 400K	70.99	
PTS-460795	N/S	KIT CONVERSION LP TO NG 175K	93.99	
PTS-777071431	N/S	CONVERSION KIT LP-NA 200K	70.99	
PTS-460742	N/S	KIT CONVERSION LP-NA 250K	65.99	
PTS-460756	N/S	KIT CONVERSION LP-NA 300K	65.99	
PTS-777071411	N/S	CONVERSION KIT LP-NA 400K	70.99	

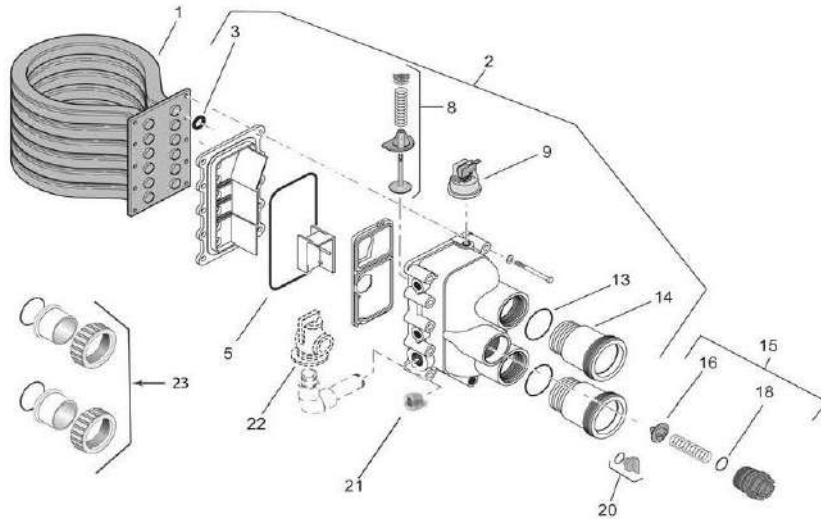
PENTAIR - HEATER PARTS - MASTERTEMP BURNER SYSTEM CONTINUED

ITEM PART NUMBER	KEY	PRINTED DESCRIPTION	RETAIL PRICE	QTY TO ORDER
HEATER BURNER SYSTEM				
PTS-777070011	N/S	BLOWER/ADAPTER PLATE GSKT	80.99	
PTS-777070202	N/S	SERV KIT FLAMEHOLDER	191.99	
PTS-460746	N/S	KIT SVC FLAMEHOLDER 250K	178.99	
PTS-777070203	N/S	SERV KIT FLAMEHOLDER	215.99	
PTS-777070204	N/S	SERV KIT FLAMEHOLDER	251.99	
PTS-777070008	N/S	SERV KIT KAOWOOL INSUL POOL HEATER	195.99	
PTS-420010074S	N/S	SVC KIT LWR ENC INSUL	68.99	
HTR-461063	N/S	MASTERTEMP CONVERSION KIT NA-LP	50.99	



PENTAIR - HEATER PARTS - MASTERTEMP ELECTRICAL SYSTEM

ITEM PART NUMBER	KEY	PRINTED DESCRIPTION	RETAIL PRICE	QTY TO ORDER
HEATER ELECTRICAL SYSTEM				
PTS-420020035Z	1	KIT HEATER DISPLAY COVER	66.99	
PTS-420010030S	2	IGNITER BRKT SVC	66.99	
PTS-777070054	3	IGNITER & GASKET KIT HTR	103.99	
PTS-420010066S	4	GSKT IGNTR SVC	66.99	
PTS-420020025S	5	SWTCH AGS 140F SVC PART	63.99	
PTS-420010063S	6	SWTCH HI-LIMIT	77.99	
PTS-420010053S	7	THERMISTOR SVC HTR	98.99	
PTS-420010056S	8	TERMINAL STRIP KIT HTR	66.99	
PTS-328500099	9	FUSE 240V/1.25A	8.99	
PTS-420010052S	10	IGN CNTRL MODULE	416.99	
PTS-420010107S	11	XFMR KIT DUAL VOLT	84.99	
PTS-420010061S	12	AIR FLOW SWTCH KIT HTR	171.99	
PTS-420020007S	13	KIT CNTRL BOARD BASIC	788.99	
PTS-420020034Z	14	TOP MLDD RPLCMNT MT	437.99	
PTS-472610Z	15	SWITCH MEMBRANE RPLCMNT MT	171.99	
PTS-420020024S	16	STACK FLUE SVC KIT	148.99	
PTS-420010104S	N/S	WR HARN DUAL VOLT	413.99	
PTS-420010105S	N/S	PLG KIT VOLT SELECTOR	66.99	

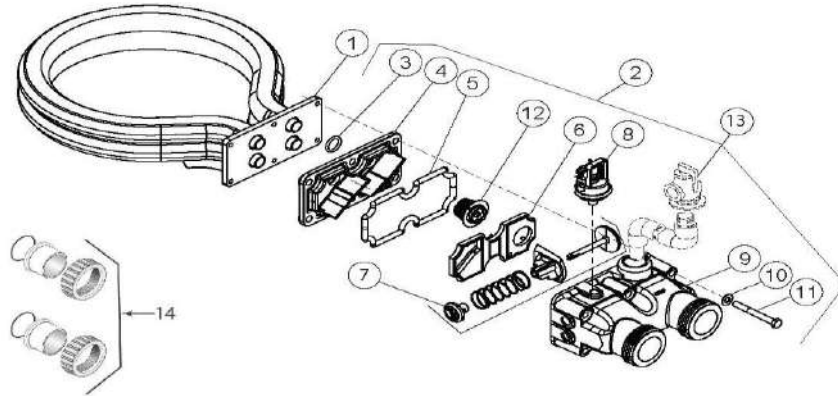


PENTAIR - HEATER PARTS - MASTERTEMP WATER SYSTEM

ITEM PART NUMBER	KEY	PRINTED DESCRIPTION	RETAIL PRICE	QTY TO ORDER
HEATER WATER SYSTEM				
PTS-777070232	1	TUBESHEET/COIL KIT 200K POOL HEATER	1086.99	
PTS-474058	1	KIT HTEXCH 175/200K HEATERS MFG AFTER JAN09	1130.99	
PTS-474062	1	KIT HTEXCH 200K HD HEATERS MFG AFTER JAN09	2191.99	
PTS-460747	1	KIT TUBESHEET COIL 250K	1347.99	
PTS-474059	1	KIT HTEXCH 250K HEATERS MFG AFTER JAN09	1391.99	
PTS-777070233	1	TUBESHEET/COIL KIT 333K POOL HEATER	1521.99	
PTS-474060	1	KIT HTEXCH 300/333K HEATERS MFG AFTER JAN09	1565.99	
PTS-777070234	1	TUBESHEET/COIL KIT 400K POOL HEATER	1695.99	
PTS-474061	1	KIT HTEXCH 400K HEATERS MFG AFTER JAN09	1869.99	
PTS-777070244	1	TUBESHEET/COIL KIT COPPER-NICKEL 400K	2739.99	
PTS-474065	1	KIT HTEXCH 400K HD HEATERS MFG AFTER JAN09	2826.99	
PTS-473710	1	KIT TUBESHEET COIL ASY MT 250 NA HD	2260.99	
PTS-474063	1	KIT HTEXCH 250K HD HEATERS MFG AFTER JAN09	2304.99	
PTS-777070014	2	MANIFOLD KIT 200K	798.99	
PTS-460748	2	KIT MANIFOLD 250K	742.99	
PTS-777070015	2	MANIFOLD KIT 333K	798.99	
PTS-777070016	2	MANIFOLD KIT 400K	798.99	
PTS-474200	2	MFLD MT ME RPLCMNT	254.99	
PTS-777070117	3	COIL/TUBESHEET ORING PKG	66.99	
PTS-460749	3	KIT TUBESHEET COIL ORING PKG	66.99	
PTS-777070118	3	COIL/TUBESHEET O-RING PKG	66.99	
PTS-777070119	3	COIL/TUBESHEET ORING PKG	66.99	
PTS-777070001	8	MANIFOLD BYPASS VALVE PKG	70.99	
PTS-420010060S	9	SVC KIT PRESS SWTCH	102.99	
PTS-U9226Z	9	ORING 2-226 BUNA 70	3.99	

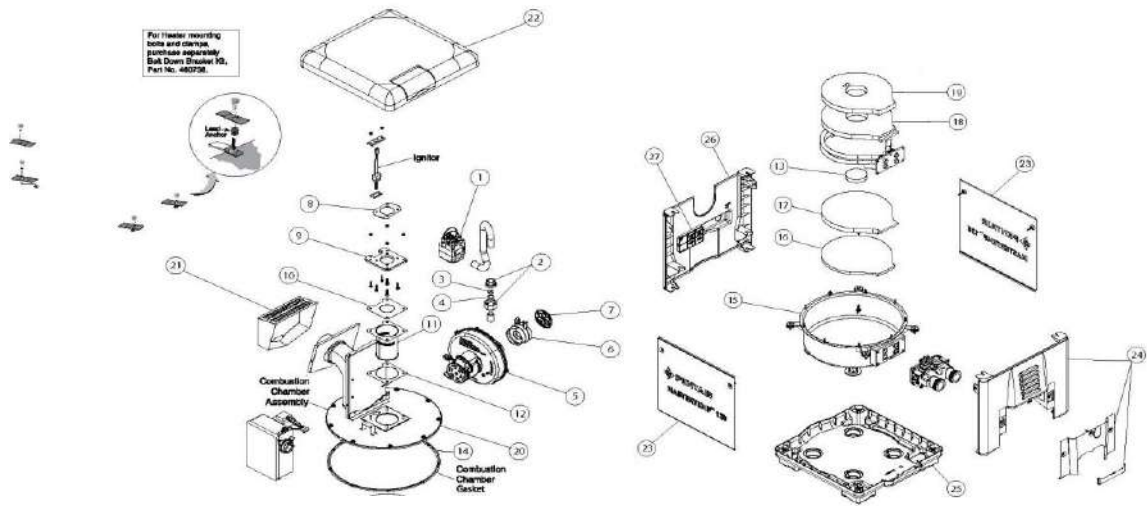
PENTAIR - HEATER PARTS - MASTERTEMP WATER SYSTEM CONTINUED

ITEM PART NUMBER	KEY	PRINTED DESCRIPTION	RETAIL PRICE	QTY TO ORDER
HEATER WATER SYSTEM				
PTS-U9226Z	13	ORING 2-226 BUNA 70	3.99	
PTS-777070017	14	CONNECTOR TUBE KIT GAS HEATER	67.99	
PTS-777070010	15	THERMAL REGULATOR PACKAGE	129.99	
PTS-380000007S	16	SVC KIT THERMO-REGUL	88.99	
PTS-355051313	18	ORNG 2-326 BN	5.99	
PTS-U178920PZ	20	DRAIN PLUG ASY WITH ORING	5.99	
PTS-U7860ZPS	21	PIPE PLG 3/4" SQHD ZNPL	7.99	
PTS-473715Z	22	VLV RLF 50 PSI RPLCMNT	195.99	
PTS-PKG188Z	23	UNION 2"SLIP HALF UNION PKG	37.99	
PTS-777070120	3 & 5	O-RING KIT MANIFOLD/TUBE	56.99	
PTS-472648Z		KIT BYPASS ACC PLUG	460.99	
PTS-777070001		MANIFOLD BYPASS VALVE PKG	70.99	
PTS-474096		KIT PRES VESSEL 400 ASME HEATERS MFG AFTER APR09	3869.99	
PTS-474956		KIT 400 ASME PRES VESSEL 9 BOLT	3869.99	
PTS-474953		KIT HD 400 ASME PRESS VESSEL 9 BOLT	3922.99	
PTS-474350		KIT HD ASME 400 PRES VESSEL	3922.99	
PTS-474097		KIT PRES VESSEL 250 ASME HEATERS MFG AFTER APR09	3478.99	
PTS-474954		KIT HD 250 ASME PRES VESSEL 9 BOLT	3730.99	
PTS-474955		KIT 250 ASME PRES VESSEL 9 BOLT	3478.99	
PTS-474349		KIT HD ASME 250 PRES VESSEL	3730.99	
PTS-460923		KIT BYPASS VLV	399.99	
PTS-461007		REPAIR TOOL KIT ASME	242.99	
PTS-460924		KIT THERMAL REGULATOR	195.99	



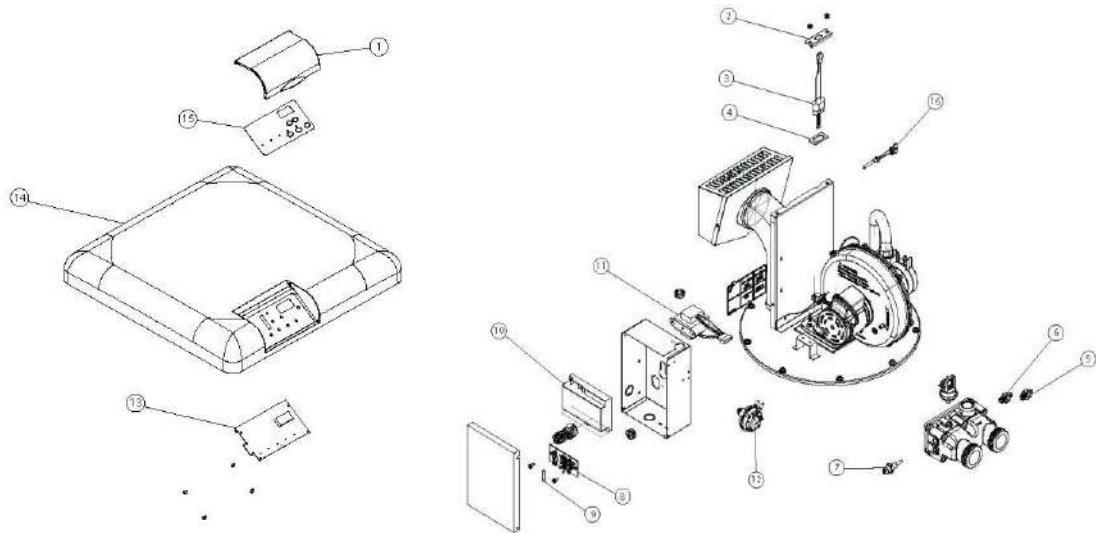
PENTAIR - HEATER PARTS - MASTERTEMP 125 WATER SYSTEM

ITEM PART NUMBER	KEY	PRINTED DESCRIPTION	RETAIL PRICE	QTY TO ORDER
PTS-474971	1	HTEXCH KIT MT125	1129.99	
PTS-474972	2	MFLD ASY KIT MT125	377.99	
PTS-474973	3	ORING KIT MT125	52.99	
PTS-474972	7	MFLD ASY KIT MT125	377.99	
PTS-420010060S	8	SVC KIT PRESS SWTCH	102.99	
PTS-474989	12	REG THERM MT125 RPLC	75.99	
PTS-473715Z	13	VLV RLF 50 PSI RPLCMNT	195.99	
PTS-474974	14	UNION 1.5" KIT MT125	86.99	



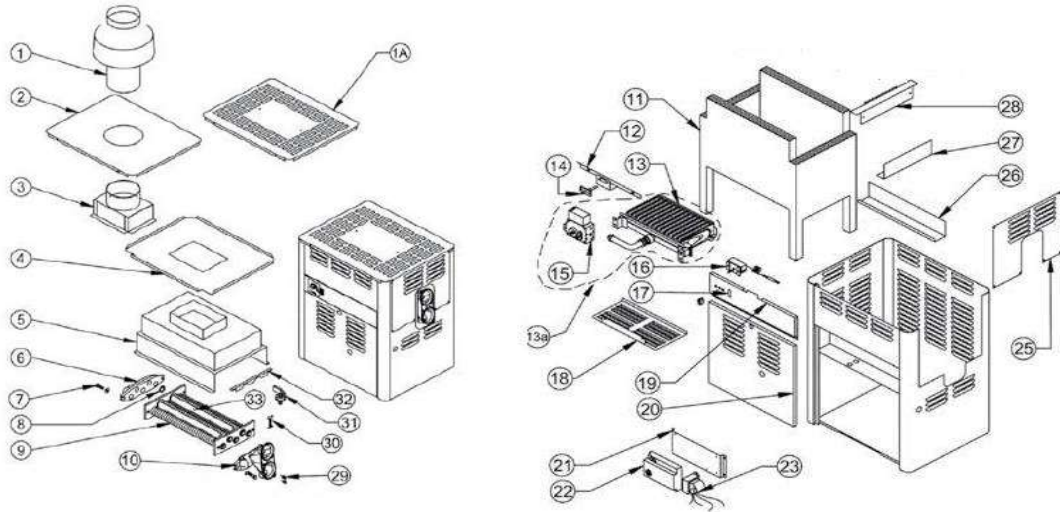
PENTAIR - HEATER PARTS - MASTERTEMP 125 BURNER SYSTEM

ITEM PART NUMBER	KEY	PRINTED DESCRIPTION	RETAIL PRICE	QTY TO ORDER
PTS-420010051S	1	SVC KIT COMB GAS VLV	544.99	
PTS-384044097S	2	UNION 3/4 IN FOR SERVICE	44.99	
PTS-474978	5	BLOWER AIR NA KIT MT125	944.99	
PTS-474977	5	BLOWER AIR LP KIT MT125	944.99	
PTS-474979	6	ORIFICE AIR KIT MT125	53.99	
PTS-474952	14	KIT HTR CC GSKT 9 BOLT	56.99	
PTS-474990	15	CC ASY 9 BOLT MT125 RPLC	490.99	
PTS-474958	20	KIT LID CC 9 BOLT	601.99	
PTS-420020005S	21	METAL VENT CVR KIT HTR	163.99	
PTS-420020034Z	22	TOP MLDD RPLCMNT MT	437.99	
PTS-474991	23	PANEL SVC MT125 RPLC	150.99	
PTS-474992	24	PANEL MFLD MT125 RPLC	214.99	
PTS-420020031Z	25	MT BOTTOM CVR ASSY	200.99	
PTS-474993	26	PANEL FLUSTACK MT125 RPL	177.99	
PTS-420020041Z	27	KIT MT JBOX COVER	21.99	
PTS-474292	28	HARDWARE MT PNL RPLC	27.99	
PTS-474981	N/S	ORIFICE GAS NA KIT MT125	56.99	
PTS-474980	N/S	ORIFICE GAS LP KIT MT125	56.99	
HTR-461063	N/S	MASTERTEMP CONVERSION KIT NA-LP	50.99	
PTS-461062	N/S	KIT GAS CONVERSION LP TO NA MT125	50.99	
PTS-777070011	N/S	BLOWER/ADAPTER PLATE GSKT	80.99	
PTS-474994	N/S	FLAMEHOLDER MT125 RPLC	188.99	
PTS-777070008	N/S	SERV KIT KAOWOOL INSUL POOL HEATER	195.99	
PTS-474845	N/S	AIR INTAKE 3" MT125 RPLC	336.99	



PENTAIR - HEATER PARTS - MASTERTEMP 125 ELECTRICAL SYSTEM

ITEM PART NUMBER	KEY	PRINTED DESCRIPTION	RETAIL PRICE	QTY TO ORDER
PTS-420020035Z	1	KIT HEATER DISPLAY COVER	66.99	
PTS-420010030S	2	IGNITER BRKT SVC	66.99	
PTS-777070054	3	IGNITER & GASKET KIT HTR	103.99	
PTS-420010066S	4	GSKT IGNTN SVC	66.99	
PTS-420020025S	5	SWTCH AGS 140F SVC PART	63.99	
PTS-420010063S	6	SWTCH HI-LIMIT	77.99	
PTS-420010053S	7	THERMISTOR SVC HTR	98.99	
PTS-420010056S	8	TERMINAL STRIP KIT HTR	66.99	
PTS-328500099	9	FUSE 240V/1.25A	8.99	
PTS-420010052S	10	IGN CNTRL MODULE	416.99	
PTS-420010107S	11	XFMR KIT DUAL VOLT	84.99	
PTS-420010061S	12	AIR FLOW SWTCH KIT HTR	171.99	
PTS-420020007S	13	KIT CNTRL BOARD BASIC	788.99	
PTS-420020034Z	14	TOP MLDD RPLCMNT MT	437.99	
PTS-472610Z	15	SWITCH MEMBRANE RPLCMNT MT	171.99	
PTS-420020024S	16	STACK FLUE SVC KIT	148.99	
PTS-420010104S	N/S	WR HARN DUAL VOLT	413.99	
PTS-420010105S	N/S	PLG KIT VOLT SELECTOR	66.99	

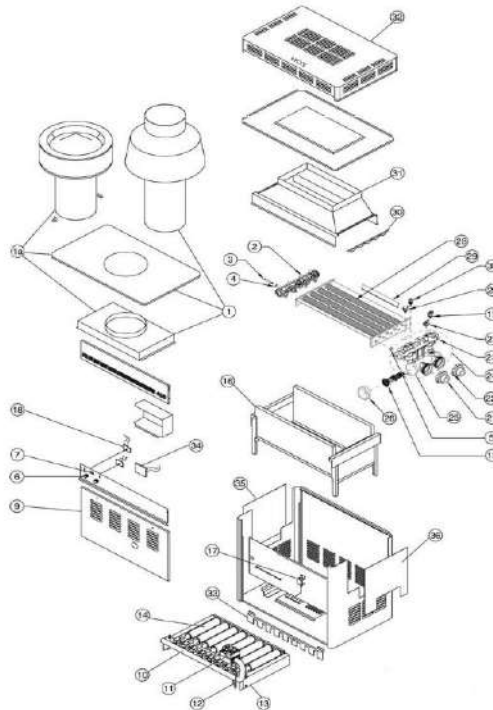


PENTAIR - HEATER PARTS - MINIMAX 75, 100

ITEM PART NUMBER	KEY	PRINTED DESCRIPTION	RETAIL PRICE	QTY TO ORDER
PTS-471213	1A	ADAPT OUTDOOR ASY 100MX	157.99	
PTS-471075	2	TOP INDOOR 100 MMX	103.99	
PTS-471069	4	TOP INNER 100 DS	76.99	
PTS-471096	6	HEAD RETURN DS 100	87.99	
PTS-471200	7	BOLT 3/8-16x3/4 HH STL	1.99	
PTS-070951	8	GASKET TUBE SEAL	1.99	
PTS-471093	9	HEAT EXCH DS 100 L/HEAD	591.99	
PTS-471094	10	HEAD MAIN BRNZ MACHED	284.99	
PTS-471061	11	INSULATION FRONT 100	51.99	
PTS-471062	11	INSULATION REAR 100	48.99	
PTS-471063	11	INSULATION SIDE CMMN	36.99	
PTS-471058	12	BRKT IGN BRNTRY 100 MMX	42.99	
PTS-471122	13	BURNER 14 BLADE MNFLD N JETS BSI THERMTCH	406.99	
PTS-471136	13	BURNER 14 BLADE MNFLD PR	406.99	
PTS-471090	14	ELECT DIR SPK IGN ASY	61.99	
PTS-471088	15	VLV & BRKT 100/75 N ASY	345.99	
PTS-471089	15	VLV & BRKT 100/75 P ASY	345.99	
PTS-471436	15	VALVE GAS NAT MV SIT/US	422.99	
PTS-471435	15	VALVE GAS PRO MV SIT/US	422.99	
PTS-471431	16	THERMOSTAT ELECT MX100	191.99	
PTS-471128	17	SWITCH ROCKER SPST DNA B1011C1121 LGN BLK	8.99	
PTS-471078	19	PANEL CONTROL ASY 100	331.99	
PTS-471067	20	DOOR ASY 100 MMX	116.99	
PTS-471091	22	CONT IGN DIR SPK	331.99	

PENTAIR - HEATER PARTS - MINIMAX 75, 100 CONTINUED

ITEM PART NUMBER	KEY	PRINTED DESCRIPTION	RETAIL PRICE	QTY TO ORDER
PTS-471360	23	XFMR 24VAC CH W/CIR BRKR	92.99	
PTS-471071	25	PANEL INSP PLT 100 MMX	25.99	
PTS-471164	28	BRACKETS HEATEXCH MMX100	27.99	
PTS-071017	29	HI LIMIT 150DEG SHUTOFF	56.99	
PTS-471095	30	ASSEMBLY FLOW VALVE DS	119.99	
PTS-471097	31	SWITCH PRESS 2 PSI	55.99	
PTS-471064	32	BAFFLE HOLD DOWN DS 100	12.99	
PTS-471065	33	BAFFLE 100 MMX	7.99	
PTS-075173	N/S	THERMAL CUTOFF MMX	26.99	
PTS-471292	N/S	PILOT MMX MV N Q379A1064	82.99	
PTS-471291	N/S	PILOT MMX MV P Q379 Q379A1072	82.99	
PTS-071515	N/S	PILOT GEN Q313A W/CLIP	133.99	
PTS-471083	N/S	KIT QUICK FLANGE II THD 1-1/5 MMX 100	67.99	
PTS-471201	N/S	KIT WIRING 100MX MV	114.99	
PTS-471202	N/S	KIT WIRING 100MX DSI	134.99	
PTS-470184	N/S	KNOB T STAT MMXPLS	15.99	
PTS-470414	N/S	KNOB STOPPER MMX PLS	8.99	
PTS-075459	N/S	IGNITOR MV MMX PIEZO	24.99	
PTS-072136	N/S	VALVE DRAIN 1/4 NPT	24.99	
PTS-471092	N/S	CABLE HIVOLT IGN 100 MMX	28.99	
PTS-070544	N/S	BUSHING 2IN	6.99	
PTS-471221	N/S	BRKT PLT 100 MMX MV	16.99	
PTS-471138	N/S	ROD FLOW VALVE MMX 100	19.99	
PTS-471139	N/S	SPRING FLOW VALVE MMX100	8.99	
PTS-471140	N/S	PLUG FLOW VALVE MMX 100	40.99	
PTS-471141	N/S	PLUNGER FLO VALVE MMX100	7.99	
PTS-076618	N/S	TBG PILOT 1/4"X18.5" AL 100 PM MODELS	11.99	
PTS-075190	N/S	BREAK AWAY FITTING 38644 9-1	7.99	



PENTAIR - HEATER PARTS - MINIMAX CH

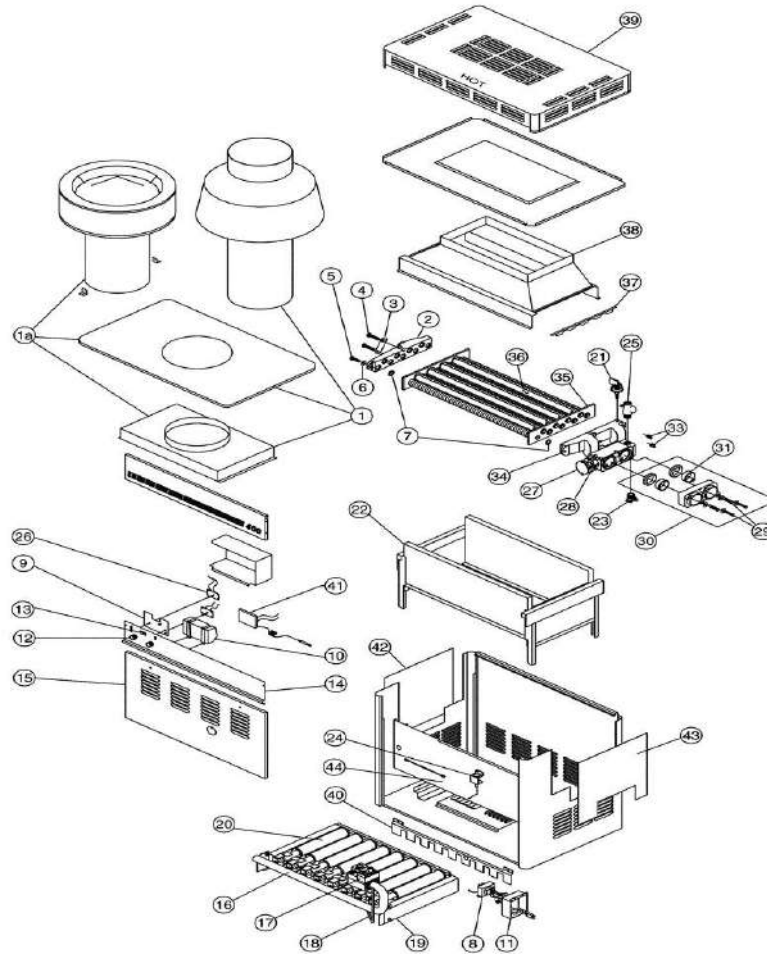
ITEM PART NUMBER	KEY	PRINTED DESCRIPTION	RETAIL PRICE	QTY TO ORDER
PTS-471991	2	MANIFOLD RETURN ASSY	100.99	
PTS-471622	3	BOLT 5/16 x 2IN	1.99	
PTS-072184	4	WSHR 3/8 IDX 7/8 OD .05/THK 18-8 SS	1.99	
PTS-070951	5	GASKET TUBE SEAL	1.99	
PTS-470184	6	KNOB T STAT MMXPLS	15.99	
PTS-470186	7	SWITCH ROCKR MMXPLS	15.99	
PTS-075468	9	DOOR ASSY 150 MMX	143.99	
PTS-075604	9	DOOR ASY 200 MMX	208.99	
PTS-075488	9	DOOR ASY 250 MMX	153.99	
PTS-075606	9	DOOR ASY 350 MMX	269.99	
PTS-075490	9	DOOR ASY 400 MMX	281.99	
PTS-070256	10	MANF BRNTRY 150 MMX	75.99	
PTS-075525	10	MANIF BRNTRY 200 MMX	80.99	
PTS-070257	10	MANF BRNTRY 250 MMX	85.99	
PTS-075526	10	MANIF BRNTRY 300 MMX	90.99	
PTS-075527	10	MANF BRNTRY 350 MMX	91.99	
PTS-070258	10	MANF BRNTRY 400 MMX	100.99	
PTS-075457	11	VLV GAS NAT MIL VS820C 9.-4	610.99	
PTS-075458	11	VLV GAS PRO MIL VS820C 2.2-11 N	601.99	
PTS-075502	13	BRNTRY ASY 150PM MMX	1827.99	
PTS-075505	13	BRNTRY ASY 200PM MMX	2036.99	
PTS-075503	13	BRNTRY ASY 250 PM MMX	2227.99	

PENTAIR - HEATER PARTS - MINIMAX CH CONTINUED

ITEM PART NUMBER	KEY	PRINTED DESCRIPTION	RETAIL PRICE	QTY TO ORDER
PTS-075506	13	BRNTRY ASY 300PM MMX	2357.99	
PTS-075507	13	BRNTRY ASY 350PM MMX	2691.99	
PTS-075504	13	BRNTRY ASY 400PM MMX	2810.99	
PTS-070230	14	BURNER 50K BTU MINMAX SS	150.99	
PTS-473605	15	SWTCH PRESS WTR HTPMP	95.99	
PTS-075586	16	COMBUSTION CHAMB 200 MMX	669.99	
PTS-075587	16	COMBUSTION CHAMB 300 MMX	764.99	
PTS-075588	16	COMBUSTION CHAMB 350 MMX	747.99	
PTS-073856	16	COMBUSTION CHAMBER 400MX	839.99	
PTS-075459	17	IGNITOR MV MMX PIEZO	24.99	
PTS-471678	18	POTENTIOMETER MMXME	29.99	
PTS-471750	19	VALVE FLOW MX NT	261.99	
PTS-471587	20	SENSOR HILIM 115 AUTO NT	61.99	
PTS-471441	21	BULKHEAD ADAPT 2" FEM 2-5 MALE	21.99	
PTS-274440	22	NUT BULKHD ADPT BLK	19.99	
PTS-471993	23	MANIFOLD MAIN ASSY	80.99	
PTS-471992	24	HEADER MAIN ASSY	604.99	
PTS-471419	25	HEADER MAIN PLAS BTM MMX	86.99	
PTS-471420	26	HEADER MAIN PLAS NUT MMX	16.99	
PTS-471694	27	SENSOR HILIM 150 AUTO NT	62.99	
PTS-472132	28	HTEXCH 200 CH L/HD	1171.99	
PTS-472168	28	HTEXCH 200 CH MV W/HD	1227.99	
PTS-472167	28	HTEXCH 250 CH MV W/HD	1319.99	
PTS-472134	28	HTEXCH 300 CH L/HD	1347.99	
PTS-472135	28	HTEXCH 350 CH L/HD	1501.99	
PTS-472165	28	HTEXCH 350 CH MV W/HD	2683.99	
PTS-472136	28	HTEXCH 400 CH L/HD	1690.99	
PTS-472164	28	HTEXCH 400 CH MV W/HD	1784.99	
PTS-070277	29	BAF HTEXCH 150/350MMX	7.99	
PTS-075559	29	BAF HTEXCH 200 MMX	6.99	
PTS-075560	29	BAF HTEXCH 300 MMX	7.99	
PTS-070277	29	BAF HTEXCH 150/350MMX	7.99	
PTS-070278	29	BAF HTEXCH 400 MMX	8.99	
PTS-472329	30	BAFFLE HLDN MMX	12.99	
PTS-073864	31	FLUCOL BACK 150 MMX	238.99	
PTS-470471	32	ASSY TOP OTR 150 COMP/ PAINTED	498.99	
PTS-470472	32	ASSY TOP OTR 200 COMP/ PAINTED	529.99	
PTS-470473	32	ASSY TOP OTR 250 COMP/ PAINTED	502.99	

PENTAIR - HEATER PARTS - MINIMAX CH CONTINUED

ITEM PART NUMBER	KEY	PRINTED DESCRIPTION	RETAIL PRICE	QTY TO ORDER
PTS-470474	32	ASSY TOP OUTR 300 COMP/ PAINTED	573.99	
PTS-470476	32	ASSY TOP OUTR 400 COMP/ PAINTED	574.99	
PTS-075785	33	RTNR BRNTRY 250 MMX	38.99	
PTS-075787	33	RTNR BRNTRY 350 MMX	38.99	
PTS-075788	33	RTNR BRNTRY 400 MMX	43.99	
PTS-471677	34	KIT THERMOSTAT ELEC MMX	201.99	
PTS-073789	35	PLT INSP RTN HD MMX PLS	37.99	
PTS-472127	36	PANEL INSP IN/OUT MMX CH	159.99	
PTS-472101	37	THERMISTOR PROBE MMX CH	52.99	
PTS-070715	N/S	CLIP CABLE HOLDER 6/6 NYLON 94V-2	1.99	
PTS-471277	N/S	CLIP HI TENSION STANDOFF	6.99	
PTS-071698	N/S	SCREW #8X1/2 HH DRL KWIK	1.99	
PTS-071716	N/S	SCREW #6X.25 PH RH SS PL	1.99	
PTS-470414	N/S	KNOB STOPPER MMX PLS	8.99	
PTS-073725	N/S	BOLT 5/16-18X.75HH SS	1.99	
PTS-471292	N/S	PILOT MMX MV N Q379A1064	82.99	
PTS-471291	N/S	PILOT MMX MV P Q379 Q379A1072	82.99	
PTS-071515	N/S	PILOT GEN Q313A W/CLIP	133.99	
PTS-075173	N/S	THERMAL CUTOFF MMX	26.99	
PTS-472330	N/S	ELEMENT POWER 3/8 COPPER	191.99	
PTS-471293	N/S	PILOT SHIELD MIL MMX PLS	35.99	
PTS-471328	N/S	ELECTRODE W/LEAD Q3451 REPLACEMENT	117.99	
PTS-074540	N/S	BRACKET L 150/400 VENT	6.99	
PTS-471271	N/S	BRACKET ADAPT Q379 PILOT	23.99	
PTS-072253	N/S	WIRE 18GA 3"WHT FDC	6.99	
PTS-471612	N/S	LATCH DOOR MMX NT	13.99	
PTS-075461	N/S	ELECTRODE ASSY W/24 WIRE MV MMX	88.99	

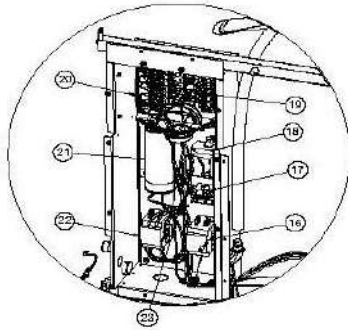
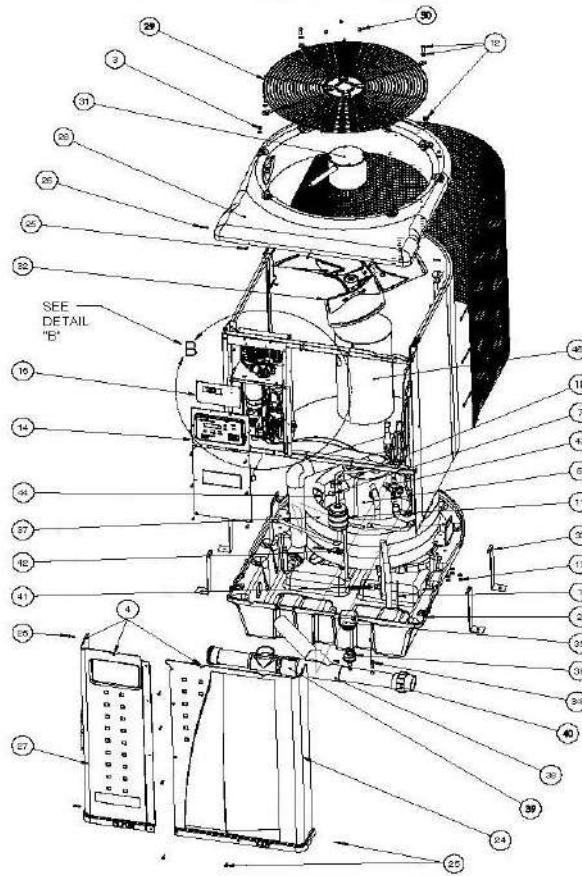


PENTAIR - HEATER PARTS - MINIMAX PLUS

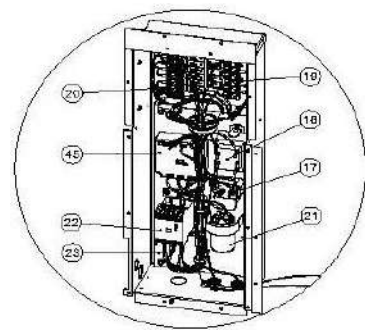
ITEM PART NUMBER	KEY	PRINTED DESCRIPTION	RETAIL PRICE	QTY TO ORDER
PTS-070994	3	HEADER RETURN MMX	300.99	
PTS-073739	5	BOLT 3/8-16 X 2" GOLD PLT	1.99	
PTS-070416	6	BOLT HH 3/8-16X1.50 GOLD PLTD	1.99	
PTS-072180	6	WASHER 3/8in ID	1.99	
PTS-070951	6	GASKET TUBE SEAL	1.99	
PTS-471360	7	XFMR 24VAC CH W/CIR BRKR	92.99	
PTS-470179	8	BOARD THERMOSTAT 6800	275.99	
PTS-073584	10	MODULE IID TI S8600M NAT	413.99	
PTS-073585	11	MODULE IID TI S8600H PRO	427.99	
PTS-470122	12	JBOX MMX PLS	42.99	
PTS-470184	13	KNOB T STAT MMXPLS	15.99	
PTS-470186	14	SWITCH ROCKR MMXPLS	15.99	
PTS-471020	15	ASSEMBLY CONRL PNL 150M	807.99	
PTS-471021	16	ASSEMBLY CNTRL PNL 200M	810.99	
PTS-471023	17	ASSEMBLY CNTRL PNL 300M	830.99	

PENTAIR - HEATER PARTS - MINIMAX PLUS CONTINUED

ITEM PART NUMBER	KEY	PRINTED DESCRIPTION	RETAIL PRICE	QTY TO ORDER
PTS-471024	18	ASSEMBLY CNTRL PNL 350M	841.99	
PTS-471025	19	PNL CNTRL ASY 400M	854.99	
PTS-075468	20	DOOR ASSY 150 MMX	143.99	
PTS-075604	21	DOOR ASY 200 MMX	208.99	
PTS-075488	22	DOOR ASY 250 MMX	153.99	
PTS-075606	24	DOOR ASY 350 MMX	269.99	
PTS-075490	14	DOOR ASY 400 MMX	281.99	
PTS-070256	15	MANF BRNTRY 150 MMX	75.99	
PTS-075525	16	MANIF BRNTRY 200 MMX	80.99	
PTS-070257	17	MANF BRNTRY 250 MMX	85.99	
PTS-075526	18	MANIF BRNTRY 300 MMX	90.99	
PTS-075527	19	MANF BRNTRY 350 MMX	91.99	
PTS-070258	20	MANF BRNTRY 400 MMX	100.99	
PTS-073998	21	VLV GAS MX VR8304K4814 N	467.99	
PTS-073999	22	VLV GAS MX VR8304K4822 PRO 11inSET	467.99	
PTS-075457	24	VLV GAS NAT MIL VS820C 9.-4	610.99	
PTS-075458	15	VLV GAS PRO MIL VS820C 2.2-11 N	601.99	



DETAIL B - Single Phase



DETAIL B - Three Phase

PENTAIR - HEATER PARTS - ULTRATEMP HEAT PUMP

ITEM PART NUMBER	KEY	PRINTED DESCRIPTION	RETAIL PRICE	QTY TO ORDER
PTS-473665	1	PROBE THERMISTOR DEFROST SENSOR	54.99	
PTS-470284	2	NUT J CLIP	3.99	
PTS-473285	3	NUT 1/4-20 SS ACORN	1.99	
PTS-470281	4	NUT U CLIP D06437-10 TINNEMAN	2.99	
PTS-473732	5	HARN WIRE COMPRESSOR	122.99	
PTS-474009	5	HARN WIRE 50HZ 1PH COMPR	127.99	
PTS-474010	5	HARN WIRE 3PH COMPRESSOR	127.99	
PTS-473734Z	6	COMPR SCROLL ASY COPELND ZP83KWEFV130 RPLCMNT	3411.99	

PENTAIR - HEATER PARTS - ULTRATEMP HEAT PUMP CONTINUED

ITEM PART NUMBER	KEY	PRINTED DESCRIPTION	RETAIL PRICE	QTY TO ORDER
PTS-473735Z	6	COMPR SCROLL ASY COPELND ZP70KWEPFV130 RPLCMNT	3028.99	
PTS-474011Z	6	COMPR 3PH SCROLL 83K BTU ZP83KCE-TF5-130	3380.99	
PTS-474241Z	6	COMPR SCROLL ASY COPELAND ZP61K5EPFV	2750.99	
PTS-474291Z	6	COMPR SCROLL RPLCMNT COPELAND ZP49K5EPFV	2345.99	
PTS-473295	7	WSHR 5/16 ID 1.25 OD FENDER	1.99	
PTS-473736	8	COMPR KIT ISOLATION GROM SCROLL	34.99	
PTS-473745	9	BLT 5/16 2.75IN SS	5.99	
PTS-98219800	10	BOLT 5/16-18x1" HH 18-8 SS	1.99	
PTS-473121	11	DRYER SNGL DIR FOR .5"	119.99	
PTS-473139	11	DRIER RVRSBLE 1/2"SOLDER SPORLAN HPC-164-S-HH	356.99	
PTS-470441	12	KIT FASTENER FAN GUARD	9.99	
PTS-071406	13	NUT 1/4-20 SS HEX	1.99	
PTS-472734	14,15	AUTOSET BOARD BEZEL LBL ASY ALL HEAT PUMPS	554.99	
PTS-473603	16	CNCTR AUTOHEAT PUMP	74.99	
PTS-473150	17	RELAY FAN EVAPORATOR	140.99	
PTS-474016	17	RELAY FAN 3PH	151.99	
PTS-473155	18	XFMR HTPMP	205.99	
PTS-473790	18	TRANSFORMER 380V	216.99	
PTS-473422	19	HARNESS WIRE FAN COMPR TERM BLOCK	105.99	
PTS-473315	20	HARNESS WIRE SENSOR TERM BLOCK	128.99	
PTS-473731	21	CPCTR 80/7.5 MFD 440V	118.99	
PTS-473154	21	CPCTR 7.5MFD 370V	75.99	
PTS-470146	21	CPCTR 50/7.5 MFD 440V	104.99	
PTS-473149	22	CNCTR COMPR	218.99	
PTS-473778	22	CONTACTOR 3 PHASE	560.99	
PTS-473423	23	HARNESS WIRING MAIN	102.99	
PTS-475112	23	HARNESS WIRE MAIN 1 PHASE	102.99	
PTS-474021	23	HARNESS WIRING MAIN 3PH	186.99	
PTS-474031	23	HARNESS WIRING MAIN 3PH 50HZ	195.99	
PTS-473742	24	PNL FRNT RIGHT 36"ALMND	299.99	
PTS-474194	24	PNL FRNT RT 36"BLK	299.99	
PTS-473431	24	PNL FRNT RT 32"ALMND	292.99	
PTS-473412	24	PNL FRNT RT 24"ALMND	256.99	
PTS-470159	25	SCR #10X.75"PANHEAD PHIL 18-8 SS ALMND HEAD	1.99	
PTS-474198	25	SCR 10X.75"PANHEAD PHIL 18-8 SS BLACK HEAD	1.99	
PTS-470161	26	SCR #10X1"BTN HEAD SQUARE 18-8SS ALMD HEAD	1.99	
PTS-474197	26	SCR 10X1"BTN HEAD SQUARE 18-8SS BLK HEAD	1.99	
PTS-473755	27	PNL ASY LEFT 36"W/DECAL	316.99	

PENTAIR - HEATER PARTS - ULTRATEMP HEAT PUMP CONTINUED

ITEM PART NUMBER	KEY	PRINTED DESCRIPTION	RETAIL PRICE	QTY TO ORDER
PTS-474196	27	PNL ASY LEFT 36"W/DECAL BLK	316.99	
PTS-474202	27	PNL ASY LEFT 32"W/DECAL	308.99	
PTS-474203	27	PNL ASY LEFT 24"W/DECAL	290.99	
PTS-474267	27	PNL ASY LEFT 24" W/DECAL BLK	290.99	
PTS-473773	28	TOP HP ALMND	542.99	
PTS-474193	28	TOP HP BLK	542.99	
PTS-473786	29	GUARD FAN GRILL 24IN DIA	199.99	
PTS-470439	30	NUT ACORN 10-32 TALL SS	5.99	
PTS-473785	31	FAN MTR W/ACORN NUT KIT	486.99	
PTS-474030Z	31	MTR FAN W/ACORN NUT KIT 3PH 50HZ	673.99	
PTS-474323Z	31	FAN MTR W/ACORN NUT RPLC	509.99	
PTS-473783	32	BLADE FAN REVCOR	228.99	
PTS-474230	32	BLADE FAN REVCOR 50HZ	228.99	
PTS-474322	32	BLADE FAN 1100RPM	228.99	
PTS-470137	33	BRACKET TIE DOWN	24.99	
PTS-471566	34	PROBE THERMISTOR MX NT	64.99	
PTS-473606	35	BOOT SWTCH PRESS WTR HP	7.99	
PTS-473605	36	SWTCH PRESS WTR HTPMP	95.99	
PTS-473992	37	EXCHANGER HEAT TI EXTALL	4000.99	
PTS-472736	37	EXCHANGER HEAT TITANIUM 10 TON	3998.99	
PTS-472737	37	EXCHANGER HEAT TITANIUM 8 TON	3516.99	
PTS-475193Z	37	HTEXCH 4.5WRAP RPLCMNT	2945.99	
PTS-475219Z	37	HTEX 3.5WRAP RPLCMNT	2771.99	
PTS-473774Z	38	KIT BYPASS RPLCMNT	615.99	
PTS-475176Z	38	MFLD WTR BYPASS	441.99	
PTS-R172305	39	VALVE CHECK/BY-PASS 12#	38.99	
PTS-473381	40	UNION PVC 2inX2in	34.99	
PTS-473656	41	SWTCH 70/120 LOW PRESS	144.99	
PTS-473744	42	SWTCH 600/380 HIGH PRESS	118.99	
PTS-473787	43	TXV 8TON ULTRATEMP 97 PSIG	312.99	
PTS-473999	43	TXV 8TON ULTRATEMP 101.5 PSIG	312.99	
PTS-474248	43	TXV 8TON ULTRATEMP 87 PSIG	312.99	
PTS-474242	43	TXV 6TON ULTRATEMP 94 PSIG	273.99	
PTS-474327	43	TXV 8TON 92.5 PSIG	313.99	
PTS-473657	44	STRAP TITANIUM WTR COIL	44.99	
PTS-473772	44	STRAP TITANIUM WTR COIL LONG	64.99	
PTS-473789	44	STRAP TITANIUM WTR COIL EXTRA TALL	98.99	
PTS-475194	44	STRAP WATER COILS RS	34.99	

PENTAIR - HEATER PARTS - ULTRATEMP HEAT PUMP CONTINUED

ITEM PART NUMBER	KEY	PRINTED DESCRIPTION	RETAIL PRICE	QTY TO ORDER
PTS-475195	44	STRAP WATER COILS LS	34.99	
PTS-474089	45	MONITOR PHASE	313.99	
PTS-473135Z	N/S	KIT REVERSING VLV	731.99	
PTS-473432	N/S	KIT COIL REVERSING VALVE	264.99	
PTS-474270Z	N/S	KIT TURBOTEC REPAIR	120.99	
PTS-474237	N/S	CLIP RETENTION COMP PWR	10.99	
PTS-461030Z	N/S	UNION AND TIEDWN RPLC ULTRATEMP	91.99	
PTS-474321	N/S	RCVR VERTICAL 3"x10"	294.99	
PTS-473054Z	N/S	COIL GUARD REPLACEMENT	235.99	
PTS-475232	N/S	HOSE BARB MALE 5/8in X 1/2in NPT	6.99	
PTS-071426	N/S	ORNG 2-228 COLLR/ROTOR	1.99	