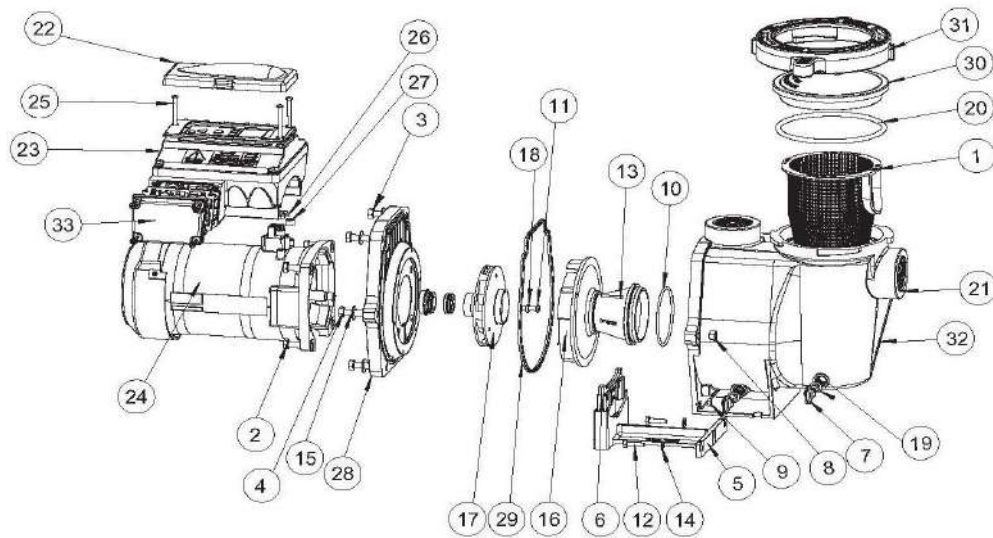


## PENTAIR - PUMP PARTS - INTELLIFLO VF PUMP (DISCONTINUED)

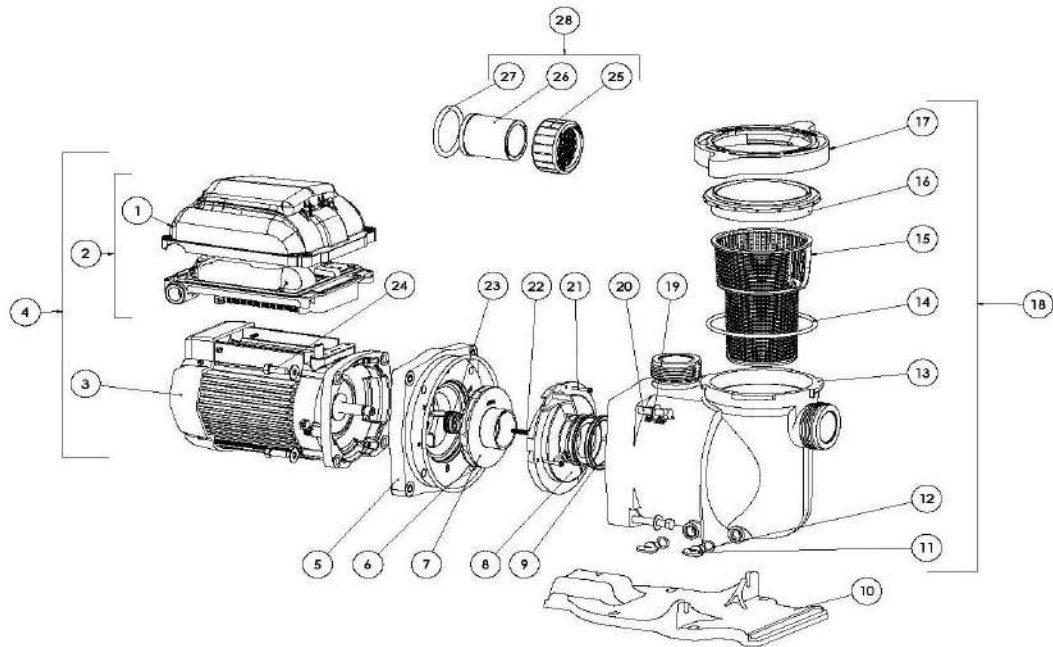


ITEM PART NUMBER	KEY	PRINTED DESCRIPTION	RETAIL PRICE	QTY TO ORDER
PTS-070387Z	1	BASKET WHISPERFLO / INTELLIFLO	20.99	
PTS-070429Z	2	BOLT 3/8-16X7/8 SS HEX 18-8	3.99	
PTS-070430	3	BLT 3/8-16X1 1/4HEX CAP 18-8 SS	2.99	
PTS-070431	4	BLT 3/8-16X2" HEX CAP 18-8 SS	2.99	
PTS-070927	5	FT ALMND WF INTLFLO	47.99	
PTS-070929	6	FT INSRT ALMD WF INTLFLO	23.99	
PTS-071131Z	7	DRAIN PLUG WFE ALMD	7.99	
PTS-071403	8	NUT 3/8-16 BRS BRIGHT NICKEL PLATED	1.99	
PTS-071406	9	NUT 1/4-20 SS HEX	1.99	
PTS-355227Z	10	ORING -238 3.484X0.139 BUNA 70	3.99	
PTS-071652Z	11	SCREW 1/4-20X1 LH PHL PAN 18-8	3.99	
PTS-071657Z	12	SCREW 1/4-20X1 HEX CAP 18-8 SS	3.99	
PTS-071660Z	13	SCREW SET 4-40 SOC CAP 18-8 SS	3.99	
PTS-072183	14	WSHR FLAT 1/4X5/8 20 GA THK 18-8 SS	1.99	
PTS-072184	15	WSHR 3/8 IDX 7/8 OD .05/THK 18-8 SS	1.99	
PTS-072928	16	DIFF ASY WFE 12	112.99	
PTS-073131	17	IMP WFE12 1000 SER INTLF	123.99	
PTS-075713	18	WSHR RUBB WFE PMP	1.99	
PTS-192115Z	19	ORING DRAIN PLUG	2.99	
PTS-350013Z	20	ORING -436 5.85X0.275 BUNA 60	4.99	
PTS-350015	21	HSG WFE ALMD	283.99	
PTS-400100	22*	CVR KEYPAD ASY KIT ALMND W/DRIVE SCREWS/GASKETS	269.99	
PTS-357102Z	23**	GASKET SEAL PLATE TAN SANTOPRENE PRIOR 2/1/08	7.99	
PMP-350105S	24**	MTR PKG 3.2KW PMSM VFD	765.99	
PTS-350107	25	SCR 10-24X3 1/4"PH MS 18-8SS	4.99	

## PENTAIR - PUMP PARTS - INTELLIFLO VF PUMP (DISCONTINUED) CONTINUED

ITEM PART NUMBER	KEY	PRINTED DESCRIPTION	RETAIL PRICE	QTY TO ORDER
PTS-350108	26	GSKT INTELLIFLO DRIVE	10.99	
PTS-350142	27	CAP/MTR SPACER ORANGE	37.99	
PTS-350202	28	KIT SLPL WFE/INTFL ALMD W/GASKET	250.99	
PTS-357100Z	29	GASKET SEAL PLATE BLCK BUNA 2/1/08-PRESENT	7.99	
PTS-357151	30	LID SEE THRU WF	44.99	
PTS-357199	31	CMP CAM & RAM WF ALM	58.99	
PTS-357243	32	POT WF ASY ALMD	594.99	
PTS-350621	33	CVR ASY INTELLIFLO FWC ALMND	24.99	

## PENTAIR - PUMP PARTS - SUPERFLO VS

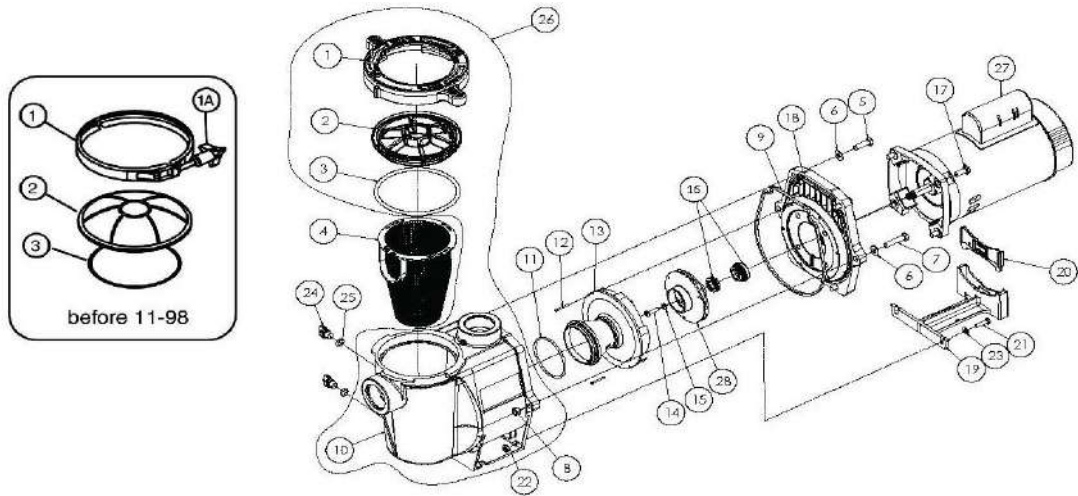


ITEM PART NUMBER	KEY	PRINTED DESCRIPTION	RETAIL PRICE	QTY TO ORDER
PTS-353123	1	HMI CVR SUPERFLO VS WITH CNTRL PNL ALMOND	369.99	
PTS-353127	2	VFD SUPERFLO VS ALM W/ TOP CVR HMI	1016.99	
PTS-353134S	3	MTR PKG W/O DRIVE VS TEFC ALMOND	683.99	
PMP-353132S	4	MTR PKG W/DRV VS 1.5 ALM SUPERFLO VS	1094.99	
PTS-356012	5	SLPL PINN/SUPERFLO ALMND	108.99	
PTS-355619Z	6	ORING 2-368	12.99	
PTS-355086	7	IMP ASY 2A MED HD	69.99	
PTS-355618	8	DIFF PINN 1.5A	119.99	
PTS-355030Z	9	ORING QUAD SEAL Q4335	11.99	
PTS-350094	10	BASE SUPERFLO	119.99	
PTS-071131Z	11	DRAIN PLUG WFE ALMD	7.99	
PTS-192115Z	12	ORING DRAIN PLUG	2.99	
PTS-350089	13	HSG SUPERFLO PMP	365.99	
PTS-357255Z	14	ORNG 2-357 BUNA N 70	6.99	
PTS-355667	15	BSKT LG OPT/PINN/ SUPERMAX/SUPERFLO	26.99	
PTS-350091	16	LID SUPERFLO PMP	39.99	
PTS-350090	17	RAM & CLMP SUPERFLO PMP	49.99	
PTS-353010	18	VLT ASY SUPERFLO ALMND	502.99	
PTS-072184	19	WSHR 3/8 IDX 7/8 OD .05/THK 18-8 SS	1.99	
PTS-355621	20	SCR 3/8-16x2.25 HEX HD	5.99	
PTS-355334Z	21	SCREW 8-32X1" HEX WSHR HEAD	3.99	

## PENTAIR - PUMP PARTS - SUPERFLO VS CONTINUED

ITEM PART NUMBER	KEY	PRINTED DESCRIPTION	RETAIL PRICE	QTY TO ORDER
PTS-355389	22	SCR IMP LCKING	1.99	
PTS-354545S	23	PKG SVC MECH SEAL TYPE 6 5/8	35.99	
PTS-U3074SS	24	SCR 3/8-16x1" HEX HD CAP SS	4.99	
PTS-350092	25	NUT SUPERFLO PMP ( LIMITED STOCK )	23.99	
PTS-350093	26	ADPT SUPERFLO PMP	22.99	
PTS-6020018	27	ORNG 226 BUNA 70 0.139 1.984	0.99	
PTS-350157	28	KIT UNION SUPERFLO ( LIMITED STOCK )	102.99	
PTS-353129Z	N/S	KIT DIG INPT 25' SUPER VS	110.99	

## PENTAIR - PUMP PARTS - WHISPERFLO PUMP



ITEM PART NUMBER	KEY	PRINTED DESCRIPTION	RETAIL PRICE	QTY TO ORDER
PTS-070711	1	CLMP BND WF/AQ 3.5 BL	109.99	
PTS-357150	1	CLMP CAM & RAM WF BLK	58.99	
PTS-357199	1	CMP CAM & RAM WF ALM	58.99	
PTS-071136Z	1A	KIT KNB PLSTC LOOP ASY	28.99	
PTS-070795	2	CVR LEXAN WFE/AQ PMP	61.99	
PTS-357151	2	LID SEE THRU WF	44.99	
PTS-357156	2	LID WFE BLUE TINT PVC CHEMICAL RESISTANT	83.99	
PTS-071422	3	ORING AQ/WFE COVER	8.99	
PTS-350013Z	3	ORING -436 5.85X0.275 BUNA 60	4.99	
PTS-070387Z	4	BASKET WHISPERFLO / INTELLIFLO	20.99	
PTS-070430	5	BLT 3/8-16X1 1/4HEX CAP 18-8 SS	2.99	
PTS-072184	6	WSHR 3/8 IDX 7/8 OD .05/THK 18-8 SS	1.99	
PTS-070431	7	BLT 3/8-16X2" HEX CAP 18-8 SS	2.99	
PTS-071403	8	NUT 3/8-16 BRS BRIGHT NICKEL PLATED	1.99	
PTS-071445	9	ORING 2-265 WFE PMP	20.99	
PTS-357100Z	9	GASKET SEAL PLATE BLCK BUNA 2/1/08-PRESENT	7.99	
PTS-357102Z	9	GASKET SEAL PLATE TAN SANTOPRENE PRIOR 2/1/08	7.99	
PTS-357149	10	VLT POT RPLCMNT WF	373.99	
PTS-350015	10	HSG WFE ALMD	283.99	
PTS-357157	10	HSG WFE BLK NPT	283.99	
PTS-355227Z	11	ORING -238 3.484X0.139 BUNA 70	3.99	
PTS-071660Z	12	SCREW SET 4-40 SOC CAP 18-8 SS	3.99	
PTS-072928	13	DIFF ASY WFE 12	112.99	
PTS-072927Z	13	DIFFUSER	94.99	

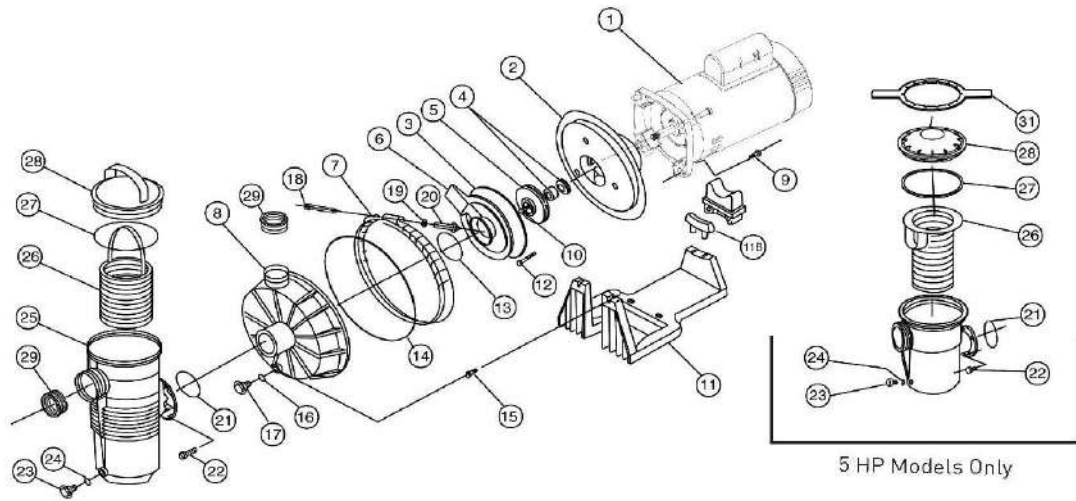
## PENTAIR - PUMP PARTS - WHISPERFLO PUMP CONTINUED

ITEM PART NUMBER	KEY	PRINTED DESCRIPTION	RETAIL PRICE	QTY TO ORDER
PTS-071652Z	14	SCREW 1/4-20X1 LH PHL PAN 18-8	3.99	
PTS-075713	15	WSHR RUBB WFE PMP	1.99	
PTS-071734S	16	PKG SVC MECH SEAL WF\INT	37.99	
PTS-070429Z	17	BOLT 3/8-16X7/8 SS HEX 18-8	3.99	
PTS-350202	18	KIT SLPL WFE/INTFL ALMD W/GASKET	250.99	
PTS-350203	18	KIT SLPL WFE/INTFL BLK W/GASKET	250.99	
PTS-070927	19	FT ALMND WF INTLFLO	47.99	
PTS-357159	19	FT BLK WF INTLFLO	47.99	
PTS-070929	20	FT INSRT ALMD WF INTLFLO	23.99	
PTS-357160	20	FT INSRT BLK WF INTLFLO	23.99	
PTS-071657Z	21	SCREW 1/4-20X1 HEX CAP 18-8 SS	3.99	
PTS-071406	22	NUT 1/4-20 SS HEX	1.99	
PTS-072183	23	WSHR FLAT 1/4X5/8 20 GA THK 18-8 SS	1.99	
PTS-071131Z	24	DRAIN PLUG WFE ALMD	7.99	
PTS-357161Z	24	DRAIN PLUG 1/4 NPT BLACK	5.99	
PTS-192115Z	25	ORING DRAIN PLUG	2.99	
PTS-357149	26	VLT POT RPLCMNT WF	373.99	
PMP-355008S	27	3/4 HP 60 HZ WFE-2 3 & 24 1SP ALMOND	300.99	
PMP-355010S	27	1 HP 60 HZ WFE-4 & 26 1 SP ALMOND	326.99	
PMP-355012S	27	1-1/2 HP 60 HZ WFE-6 & 28 1 SP ALMOND	385.99	
PMP-355014S	27	2 HP 60 HZ WFE-8 & 30 1 SP ALMOND	458.99	
PMP-355016S	27	3 HP 60 HZ WFE-12 1 SP ALMOND	599.99	
PMP-350088S	27	MTR PKG W/SWTCH SQFL 3/4HPF 1A 60HZ 2SP ALMD	403.99	
PMP-356630S	27	MTR PKG W/SWTCH SQFL 3/4HPF 1A 60HZ 2SP ALMD	421.99	
PMP-071320S	27	MTR PKG W/SWTCH SQFL 1.5 HPF 2A 60HZ 2SP ALMD 23	510.99	
PMP-071321S	27	MTR PKG W/SWTCH SQFL 2HPF 2.5A 60HZ 2SP ALMD	638.99	
PMP-355018S	27	MTR PKG .5HP .75A 1PH 1SP 208-230/115V ALMD	238.99	
PMP-355020S	27	MTR PKG .75HP 1A 1PH 1SP 208-230/115V ALMD	281.99	
PMP-355022S	27	MTR PKG 1HP 1.5A 1PH 1SP 208-230/115V ALMD	313.99	
PMP-355024S	27	MTR PKG 1.5HP 2A 1PH 1SP 208-230/115V ALMD	388.99	
PMP-355026S	27	MTR PKG 2HP 2.5A 1PH 1SP 208-230V ALMD	458.99	
PMP-355033S	27	MTR PKG 3HP 1PH 1SP 230V ALMD	596.99	
PMP-354805S	27	MTR PKG 1HP 208-230/460V 60HZ 3PH SUPERDUTY ALMD	363.99	
PMP-354807S	27	MTRPKG 1.5HP 208-230/460 60HZ 3PH SUPERDUTY ALMD	452.99	
PMP-354809S	27	MTR PKG 2HP 208-230/460V 60HZ 3PH SUPERDUTY ALMD	504.99	
PMP-354811S	27	MTR PKG 3HP 208-230/460V 60HZ 3PH SUPERDUTY ALMD	611.99	
PMP-354806S	27	MTR PKG 1HP 208-230/460V 60HZ 3PH SUPERDUTY BLK	363.99	
PMP-354808S	27	MTRPKG 1.5HP 208-230/460 60HZ 3PH SUPERDUTY BLK	452.99	

## PENTAIR - PUMP PARTS - WHISPERFLO PUMP CONTINUED

ITEM PART NUMBER	KEY	PRINTED DESCRIPTION	RETAIL PRICE	QTY TO ORDER
PMP-354810S	27	MTR PKG 2HP 208-230/460V 60HZ 3PH SUPERDUTY BLK	504.99	
PMP-354812S	27	MTR PKG 3HP 208-230/460V 60HZ 3PH SUPERDUTY BLK	611.99	
PTS-073126	28	IMP WFE 2 1000 SER	123.99	
PTS-073127	28	IMP WFE 3 1000 SER	123.99	
PTS-073128	28	IMP WFE4 1000 SER INTLFO	123.99	
PTS-073129	28	IMP WFE 6 1000 SER	123.99	
PTS-073130	28	IMP WFE 8 1000 SER	123.99	
PTS-073131	28	IMP WFE12 1000 SER INTLF	123.99	
PMP-075251	12-18,27,28	MTR SUBASY WF2 WF23	772.99	
PMP-075145	12-18,27,28	MTR SUBASY W/SWTCH WFDS3 WFDS24	1044.99	
PMP-075136	12-18,27,28	MTR SUBASY WFE 2	819.99	
PMP-075137	12-18,27,28	MTR SUBASY WFE 3 WFE 24	828.99	
PMP-075138	12-18,27,28	MTR SUBASY WFE 4 WFE 26	881.99	
PMP-075139	12-18,27,28	MTR SUBASY WFE 6 WFE 28	1032.99	
PMP-075140	12-18,27,28	MTR SUBASY WFE 8 30	1187.99	
PMP-075141	12-18,27,28	MTR SUBASY WFE 12	1474.99	
PMP-075142	12-18,27,28	MTR SUBASY W/SWTCH WFDS4 WFDS 26	1089.99	
PMP-075143	12-18,27,28	MTR SUBASY W/SWTCH WFDS6 WFDS 28	1272.99	
PMP-075144	12-18,27,28	MTR SUBASY W/SWTCH WFDS8 WFDS 30	1548.99	
PMP-075252	12-18,27,28	MTR SUBASY WF3 STD	811.99	
PMP-075253	12-18,27,28	MTR SUBASY WF4 STD	856.99	
PMP-075254	12-18,27,28	MTR SUBASY WF6 STD	1016.99	
PMP-075255	12-18,27,28	MTR SUBASY WF8 STD	1168.99	
PMP-075256	12-18,27,28	MTR SUBASY WF12 STD	1464.99	
PMP-075452		FLUID END WFE 3	646.99	
PMP-075453		FLUID END WFE 4	633.99	
PMP-075454		FLUID END WFE 6	639.99	
PMP-075455		FLUID END WFE 8	634.99	
PMP-075456		FLUID END WFE 12	632.99	
PTS-79129900	N/S	SWITCH ASY 2SP TOGGLE ALMD 56 FRAME	60.99	
PTS-350202	N/S	KIT SLPL WFE/INTFL ALMD W/GASKET	250.99	
PTS-350203	N/S	KIT SLPL WFE/INTFL BLK W/GASKET	250.99	
PTS-357243	N/S	POT WF ASY ALMD	594.99	
PTS-357244	N/S	POT WF ASY BLK	594.99	
PMP-355001S	N/S	MTR PKG SQFL 3/4HPP 3PH 60HZ E 208 230V ALMD	321.99	
PMP-355002S	N/S	MTR PKG CNTRY .5HP 3PH ALMD	329.99	
PTS-400013Z	N/S	KIT MTR END CAP ALMND	31.99	
PTS-350199	N/S	KIT SLPL OZONE WF/INTFL ALMND W/GSKT	244.99	

# PENTAIR - PUMP PARTS - CHALLENGER HIGH FLOW PUMP



ITEM PART NUMBER	KEY	PRINTED DESCRIPTION	RETAIL PRICE	QTY TO ORDER
PMP-355019S	1	MTR PKG .5HP .75A 1PH 1SP 208-230/115V BLK	240.99	
PMP-355021S	1	MTR PKG .75HP 1A 1PH 1SP 208-230/115V BLK	281.99	
PMP-355023S	1	MTR PKG 1HP 1.5A 1PH 1SP 208-230/115V BLK	313.99	
PMP-355025S	1	MTR PKG 1.5HP 2A 1PH 1SP 208-230/115V BLK	388.99	
PMP-355027S	1	MTR PKG 2HP 2.5A 1PH 1SP 208-230V BLK	458.99	
PMP-355034S	1	MTR PKG 3HP 1PH 1SP 230V BLK	596.99	
PMP-355009S	1	MTR PKG .75HP 1A 1PH 1SP 208-230/115V BLK	300.99	
PMP-355011S	1	MTR PKG 1HP 1.5A 1PH 1SP 208-230/115V BLK	326.99	
PMP-355013S	1	MTR PKG 1.5HP 2A 1PH 1SP 208-230 BLK	385.99	
PMP-355015S	1	MTR PKG 2HP 2.5A 1PH 1SP 208-230V BLK	474.99	
PMP-355017S	1	MTR PKG SQFL 3HP S 1PH 1SP 208-230V BLK	599.99	
PMP-353319S	1	MTR PKG 5HP EE FULLRATED BLK	748.99	
PMP-355375S	1	MTR PKG W/SWTCH SQFL 3/4HPF 1A 60HZ 2SP BLK	409.99	
PMP-355232S	1	MTR PKG W/SWTCH SQFL 3/4HPF 1A 60HZ 2SP BLK	372.99	
PMP-355376S	1	MTR PKG W/SWTCH SQFL 1HPF 1.5A 60HZ 2SP BLK	421.99	
PMP-355377S	1	MTR PKG W/SWTCH SQFL 1.5 HPF 2A 60HZ 2SP BLK 23	510.99	
PMP-355378S	1	MTR PKG W/SWTCH SQFL 2HPF 2.5A 60HZ 2SP BLK	638.99	
PMP-354806S	1	MTR PKG 1HP 208-230/460V 60HZ 3PH SUPERDUTY BLK	363.99	
PMP-354808S	1	MTRPKG 1.5HP 208-230/460 60HZ 3PH SUPERDUTY BLK	452.99	
PMP-354810S	1	MTR PKG 2HP 208-230/460V 60HZ 3PH SUPERDUTY BLK	504.99	
PMP-354812S	1	MTR PKG 3HP 208-230/460V 60HZ 3PH SUPERDUTY BLK	611.99	
PMP-354814S	1	MTR PKG 5HP 208-230/460V 60HZ 3PH SUPERDUTY BLK	743.99	
PTS-355004	2	SLPL 6 INSRTS CH BLK	126.99	
PTS-355028	3	PLT DIFF.75A-1A MED HD	28.99	



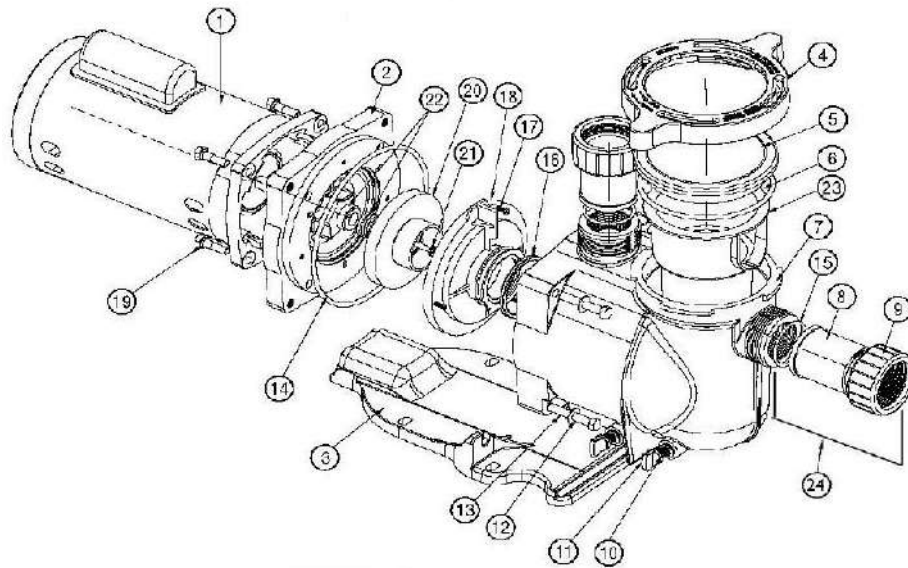
## PENTAIR - PUMP PARTS - CHALLENGER HIGH FLOW PUMP CONTINUED

ITEM PART NUMBER	KEY	PRINTED DESCRIPTION	RETAIL PRICE	QTY TO ORDER
PTS-355078	3	PLT DIF 1.5 F/.75 50HZ	18.99	
PTS-355095	3	PLT DIF 2F 1.5A MED HD	31.99	
PTS-355495	3	PLT MTG 3HP 50HZ/5HP 60HZ	16.99	
PTS-354545S	4	PKG SVC MECH SEAL TYPE 6 5/8	35.99	
PTS-355043	5	IMP ASY.75A MED HD	67.99	
PTS-355067	5	IMP ASY 1A MED HD	68.99	
PTS-355074	5	IMP ASY 1.5A MED HD	69.99	
PTS-355086	5	IMP ASY 2A MED HD	69.99	
PTS-355093	5	IMP ASY 2F 2.5A COMP	71.99	
PTS-355068	5	ASY IMP 3HP 50HZ/5HP 60	68.99	
PTS-355029	6	DIFF MED HD .75A-1A	49.99	
PTS-355077	6	DIFF 1.5A-2A MED HD	49.99	
PTS-355094	6	DIFF 2F 1.5A MED HD	53.99	
PTS-355069	6	DIFF 3HP 50HZ/5HP 60	46.99	
PTS-355320	7	CLMP BND ASY CMPLT	107.99	
PTS-355468	8	HSG CH POOL PMP BLK	184.99	
PTS-355469	8	HSG CH POOL PMP TAN	184.99	
PTS-U3074SS	9	SCR 3/8-16x1" HEX HD CAP SS	4.99	
PTS-355389	10	SCR IMP LCKING	1.99	
PTS-355305	11	BASE CHALLENGER	61.99	
PTS-355385	11B	SPRT CH 48 FRAME MTR	15.99	
PTS-355334Z	12	SCREW 8-32X1" HEX WSHR HEAD	3.99	
PTS-355030Z	13	ORING QUAD SEAL Q4335	11.99	
PTS-355331Z	13	ORING 2-233	3.99	
PTS-355329Z	14	ORING SQR .285X.200 10.275 DIA	20.99	
PTS-355335	15	SCR 5/16-18x.5" HEX HD	1.99	
PTS-192115Z	16,24	ORING DRAIN PLUG	2.99	
PTS-357161Z	17,23	DRAIN PLUG 1/4 NPT BLACK	5.99	
PTS-152060	18	BLT 5/16"18x4.25"CARAGE	12.99	
PTS-072173	19	WSHR 5/16 ID X 3/4"OD	1.99	
PTS-174882	20	KNOB CH CLMP 5/16-18 UNC	43.99	
PTS-175025	20	KNOB CH CLMP .25-28 UNF	43.99	
PTS-355330	21	ORNG 1/8"x2"ID 2-229BUN	1.99	
PTS-354265	22	SCR 5/16 18X3/4 HEX HD WSHR 18 8SS	2.99	
PTS-357161Z	23	DRAIN PLUG 1/4 NPT BLACK	5.99	
PTS-355300	25	POT CH STRNR BLK NPT	181.99	
PTS-355318Z	26	BASKET STRAINER PLASTIC	50.99	

## PENTAIR - PUMP PARTS - CHALLENGER HIGH FLOW PUMP CONTINUED

ITEM PART NUMBER	KEY	PRINTED DESCRIPTION	RETAIL PRICE	QTY TO ORDER
PTS-355441	26	BSKT CH STRNR SS	234.99	
PTS-350013Z	27	ORING -436 5.85X0.275 BUNA 60	4.99	
PTS-152509Z	27	ORING SQUARE RING 8 1/2 CLSR	8.99	
PTS-355301	28	LID STRNR POT CHALLENGER	79.99	
PTS-354112	28	LID CH STRNR POT BQ	79.99	
PTS-355902	28	LID 5HP CLR BUTT	92.99	
PTS-355914	28	LID 5HP STRNR BLK	77.99	
PTS-552377	29	BSHG RDCR .5F .75F .75 1A	17.99	
PTS-154527	31	WRNCH 8.5"6 ANSI 7DEG45	35.99	
PMP-355637	1- 6,9,12,13	PWREND CFII N1 .75F 1A CNTRY	880.99	
PMP-355638	1- 6,9,12,13	PWREND CFII N1 1F 1.5A CNTRY	943.99	
PMP-355520	1- 6,9,12,13	PWREND CFII 1.5F 2A	1112.99	
PMP-355984	1- 6,9,12,13	PWREND-CFI-N1-.75FE	906.99	
PMP-355639	1- 6,9,12,13	PWREND CFII N1 1.5FE 2AE CNTRY	1116.99	
PMP-355986	1- 6,9,12,13	PWREND CFI N1 2FE	1415.99	
PMP-355640	1- 6,9,12,13	PWREND W/SWTCH CFII N2 .75F 1A CNTRY	1134.99	
PMP-355641	1- 6,9,12,13	PWREND W/SWTCH CFII N2 1F 1.5A CNTRY	1165.99	
PMP-355642	1- 6,9,12,13	PWREND W/SWTCH CFII N2 1.5F 2A CNTRY	1352.99	
PMP-355987	1- 6,9,12,13	PWREND W/SWTCH CF N2 2F	1609.99	
PMP-345211	1- 6,9,12,13	PWREND CH N1 5FE	1618.99	
PTS-355309	N/S	ADPT QCONN KIT 2IN	136.99	
PTS-357391	N/S	POT ASY CH SS BLK BSKT NPT 3HP	858.99	
PTS-359507	N/S	POT ASY CH BLK NPT	320.99	
PTS-401014Z	N/S	KIT MTR END CAP BLK	31.99	

## PENTAIR - PUMP PARTS - SUPERFLO PUMP

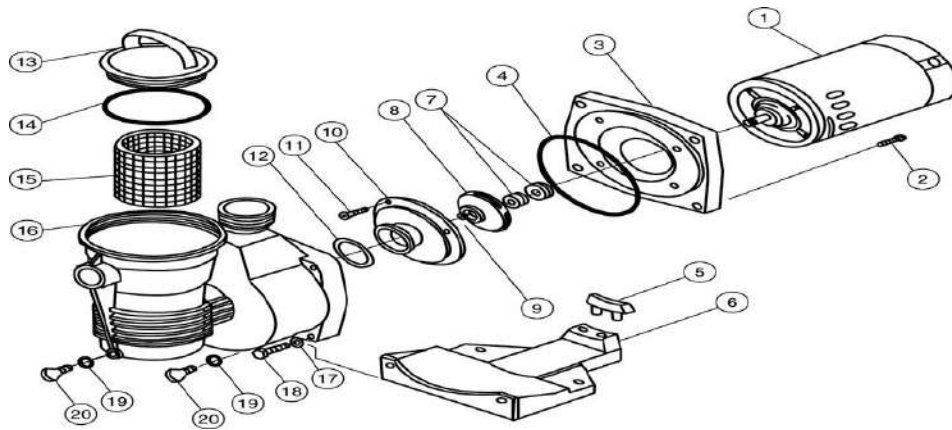


ITEM PART NUMBER	KEY	PRINTED DESCRIPTION	RETAIL PRICE	QTY TO ORDER
PMP-355018S	1	MTR PKG .5HP .75A 1PH 1SP 208-230/115V ALMD	238.99	
PMP-355020S	1	MTR PKG .75HP 1A 1PH 1SP 208-230/115V ALMD	281.99	
PMP-355022S	1	MTR PKG 1HP 1.5A 1PH 1SP 208-230/115V ALMD	313.99	
PMP-355024S	1	MTR PKG 1.5HP 2A 1PH 1SP 208-230/115V ALMD	388.99	
PMP-355026S	1	MTR PKG 2HP 2.5A 1PH 1SP 208-230V ALMD	458.99	
PMP-355003S	1	MTR PKG W/SWTCB SQFL 1PH 3/4HPF 1A 60HZ 2SP ALMD	372.99	
PMP-356630S	1	MTR PKG W/SWTCB SQFL 3/4HPF 1A 60HZ 2SP ALMD	421.99	
PMP-071320S	1	MTR PKG W/SWTCB SQFL 1.5 HPF 2A 60HZ 2SP ALMD 23	510.99	
PMP-355008S	1	3/4 HP 60 HZ WFE-2 3 & 24 1SP ALMOND	300.99	
PMP-355010S	1	1 HP 60 HZ WFE-4 & 26 1 SP ALMOND	326.99	
PMP-355012S	1	1-1/2 HP 60 HZ WFE-6 & 28 1 SP ALMOND	385.99	
PMP-355014S	1	2 HP 60 HZ WFE-8 & 30 1 SP ALMOND	458.99	
PTS-356012	2	SLPL PINN/SUPERFLO ALMND	108.99	
PTS-350094	3	BASE SUPERFLO	119.99	
PTS-350090	4	RAM & CLMP SUPERFLO PMP	49.99	
PTS-350091	5	LID SUPERFLO PMP	39.99	
PTS-357255Z	6	ORNG 2-357 BUNA N 70	6.99	
PTS-350089	7	HSG SUPERFLO PMP	365.99	
PTS-350093	8	ADPT SUPERFLO PMP	22.99	
PTS-350092	9	NUT SUPERFLO PMP ( LIMITED STOCK )	23.99	
PTS-192115Z	10	ORING DRAIN PLUG	2.99	
PTS-071131Z	11	DRAIN PLUG WFE ALMD	7.99	
PTS-355621	12	SCR 3/8-16x2.25 HEX HD	5.99	
PTS-072184	13	WSHR 3/8 IDX 7/8 OD .05/THK 18-8 SS	1.99	

## PENTAIR - PUMP PARTS - SUPERFLO PUMP CONTINUED

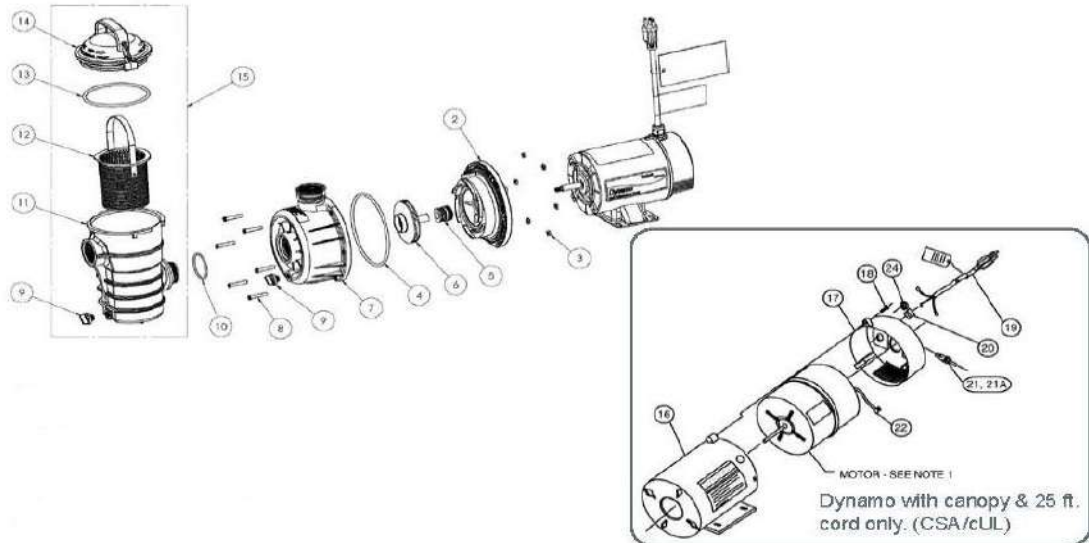
ITEM PART NUMBER	KEY	PRINTED DESCRIPTION	RETAIL PRICE	QTY TO ORDER
PTS-355619Z	14	ORING 2-368	12.99	
PTS-6020018	15	ORNG 226 BUNA 70 0.139 1.984	-0.01	
PTS-355030Z	16	ORING QUAD SEAL Q4335	11.99	
PTS-355334Z	17	SCREW 8-32X1" HEX WSHR HEAD	3.99	
PTS-355617	18	DIFF PINN .75A 1A	119.99	
PTS-355618	18	DIFF PINN 1.5A	119.99	
PTS-350170	18	DIFFUSER 2 1/2HP SF	117.99	
PTS-U3074SS	19	SCR 3/8-16x1" HEX HD CAP SS	4.99	
PTS-355043	20	IMP ASY.75A MED HD	67.99	
PTS-355067	20	IMP ASY 1A MED HD	68.99	
PTS-355074	20	IMP ASY 1.5A MED HD	69.99	
PTS-355086	20	IMP ASY 2A MED HD	69.99	
PTS-355093	20	IMP ASY 2F 2.5A COMP	71.99	
PTS-355389	21	SCR IMP LCKING	1.99	
PTS-354545S	22	PKG SVC MECH SEAL TYPE 6 5/8	35.99	
PTS-355667	23	BSKT LG OPT/PINN/ SUPERMAX/SUPERFLO	26.99	
PTS-350157	24	KIT UNION SUPERFLO ( LIMITED STOCK )	102.99	
PTS-79129900	N/S	SWITCH ASY 2SP TOGGLE ALMD 56 FRAME	60.99	
PTS-400013Z	N/S	KIT MTR END CAP ALMND	31.99	

## PENTAIR - PUMP PARTS - PINNACLE HIGH FLOW PUMP



ITEM PART NUMBER	KEY	PRINTED DESCRIPTION	RETAIL PRICE	QTY TO ORDER
PTS-356012	3A	SLPL PINN/SUPERFLO ALMND	108.99	
PTS-355619Z	4	ORING 2-368	12.99	
PTS-355385	5	SPRT CH 48 FRAME MTR	15.99	
PTS-355613	6	BASE PINN PMP	62.99	
PTS-354545S	7	PKG SVC MECH SEAL TYPE 6 5/8	35.99	
PTS-355225	8	ASY IMP 2HP MACH'D	69.99	
PTS-355389	9	SCR IMP LCKING	1.99	
PTS-355618	10	DIFF PINN 1.5A	119.99	
PTS-355617	10	DIFF PINN .75A 1A	119.99	
PTS-355334Z	11	SCREW 8-32X1" HEX WSHR HEAD	3.99	
PTS-355030Z	12	ORING QUAD SEAL Q4335	11.99	
PTS-355301	13	LID STRNR POT CHALLENGER	79.99	
PTS-350013Z	14	ORING -436 5.85X0.275 BUNA 60	4.99	
PTS-355667	15	BSKT LG OPT/PINN/ SUPERMAX/SUPERFLO	26.99	
PTS-072184	17	WSHR 3/8 IDX 7/8 OD .05/THK 18-8 SS	1.99	
PTS-355621	18	SCR 3/8-16x2.25 HEX HD	5.99	
PTS-192115Z	19	ORING DRAIN PLUG	2.99	

## PENTAIR - PUMP PARTS - DYNAMO PUMP

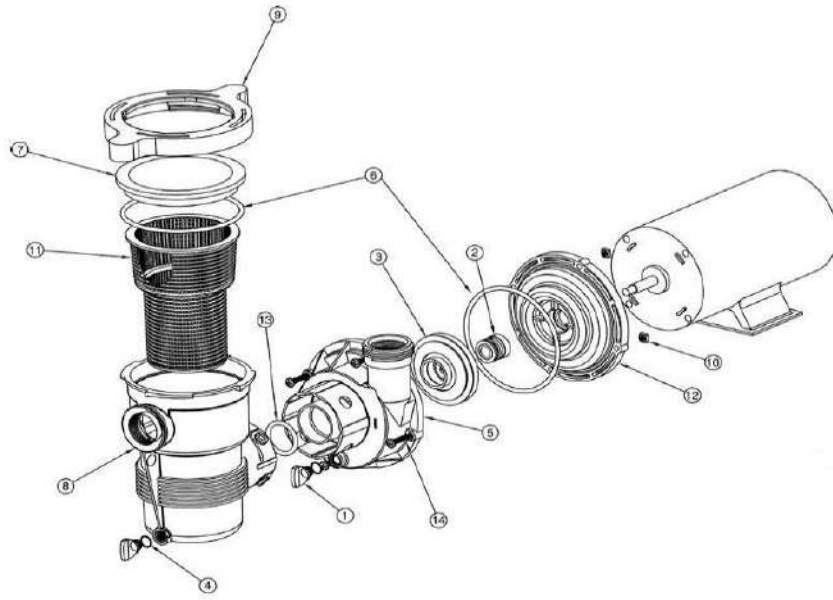


ITEM PART NUMBER	KEY	PRINTED DESCRIPTION	RETAIL PRICE	QTY TO ORDER
PTS-354632	2	BRKT DYN DIFF .75HP AFTER 4/93	128.99	
PTS-354633	2	BRKT DYN DIFF 1HP AFTER 4/93	128.99	
PTS-354542	3	NUT 10-24 SS	1.99	
PTS-354634	4	ORNG 2-362 3/16" BRKT AFTER 4/93	9.99	
PTS-354545S	5	PKG SVC MECH SEAL TYPE 6 5/8	35.99	
PTS-353002	6	IMP .5 DYN COMPLT	44.99	
PTS-354552	6	IMP ASY DYN .75HP	36.99	
PTS-355122	6	IMP ASY 1HP 1.5HP DYN	42.99	
PTS-354630	7	BDY DYN HSG W/CHAMFER AFTER 4/93	143.99	
PTS-354541	8	SCR 10-24x1.5" SLOT HEX	2.99	
PTS-U178920PZ	9	DRAIN PLUG ASY WITH ORING	5.99	
PTS-273062	10	ORING #2-227 CAP	1.99	
PTS-354530	11	POT DYN BLK	126.99	
PTS-354548	12	BSKT DYN W/HNDL	23.99	
PTS-354533	13	ORNG LID 2-353 DYNAMO	10.99	
PTS-354531	14	LID DYNAMO STRAINER POT	70.99	
PTS-354113	14	LID DYN STRNR POT BACQUACIL ONLY	70.99	
PTS-354103	15	POT DYN RPLCMNT ASY	282.99	
PTS-354621	16	ENCL MTR 3 SCW HOLE CSA	60.99	
PTS-354881	17	CAP CSA MTR ENCLSR W/3 SCR HLES	79.99	
PTS-354882	17	CAP CSA MTR ENCLSR HI-OFF-LO	79.99	
PTS-154716	18	SCR SELF TAPPING HH	0.99	

## PENTAIR - PUMP PARTS - DYNAMO PUMP CONTINUED

ITEM PART NUMBER	KEY	PRINTED DESCRIPTION	RETAIL PRICE	QTY TO ORDER
PTS-155371	19	ASY CORD-25' 16 GA W/TAG	95.99	
PTS-41412700	20	CONN LIQUID TIGHT	12.99	
PTS-155187	21	SWTCH TGL DOUBLE INSULTD	26.99	
PTS-356546	21A	CVR MTR W/HI/LO/OFF 2SP SWTCH (CANOPY/MAGNETEK)	69.99	
PTS-155193	22	CONN #16 SWTCH	7.99	
PTS-350024	24	NUT LCK STEEL 1/2" CONDUIT ELECTROLINE LN50	0.99	
PTS-352256	N/S	NUT QUIK CONN W/BUTT BLK ABS	11.99	
PTS-354571	N/S	ORNG 200-830 QUIK CONN	3.99	
PTS-79137800	N/S	CORD ASY 3'COMPLETE STD	79.99	
PTS-352245	N/S	BSHG STRN RELIEF	4.99	
PTS-350444	N/S	CVR MTR W/ON/OFF SWITCH	58.99	
PTS-350481	N/S	CANOPY AL MOTOR W/ON-OFF SWITCH	58.99	
PTS-356546	N/S	CVR MTR W/HI/LO/OFF 2SP SWTCH (CANOPY/MAGNETEK)	69.99	
PTS-155380Z	N/S	KIT BASE DYNAMO OPTIFLO CSA	104.99	
PTS-155234	N/S	CRD ASY 3'TWL 20A PLG #12/3 W/LBL	97.99	

## PENTAIR - PUMP PARTS - OPTIFLO PUMP



ITEM PART NUMBER	KEY	PRINTED DESCRIPTION	RETAIL PRICE	QTY TO ORDER
PTS-357161Z	1	DRAIN PLUG 1/4 NPT BLACK	5.99	
PTS-354545S	2	PKG SVC MECH SEAL TYPE 6 5/8	35.99	
PTS-354552	3	IMP ASY DYN .75HP	36.99	
PTS-350017	3	IMP OPTIFL 1HP	74.99	
PTS-350018	3	IMP OPTIFL 1.5HP	79.99	
PTS-192115Z	4	ORING DRAIN PLUG	2.99	
PTS-357213	5	VLT SIDE DISCHRG AG	33.99	
PTS-357255Z	6	ORNG 2-357 BUNA N 70	6.99	
PTS-357227	7	LID AG	14.99	
PTS-357228	8	POT AG	30.99	
PTS-357239	9	CLMP OPTIFLO CAM & RAMP	17.99	
PTS-357254	10	NUT 1/4-20 SQUARE SS	1.99	
PTS-355667	11	BSKT LG OPT/PINN/ SUPERMAX/SUPERFLO	26.99	
PTS-357215	12	ASY SLPLT OPTIFLO	42.99	
PTS-350103	13	ORING #2-223	6.99	
PTS-98209000	14	SCW 14-20X11/2 PPH SS	2.99	
PTS-79137800	N/S	CORD ASY 3'COMPLETE STD	79.99	
PTS-155234	N/S	CRD ASY 3'TWL 20A PLG #12/3 W/LBL	97.99	