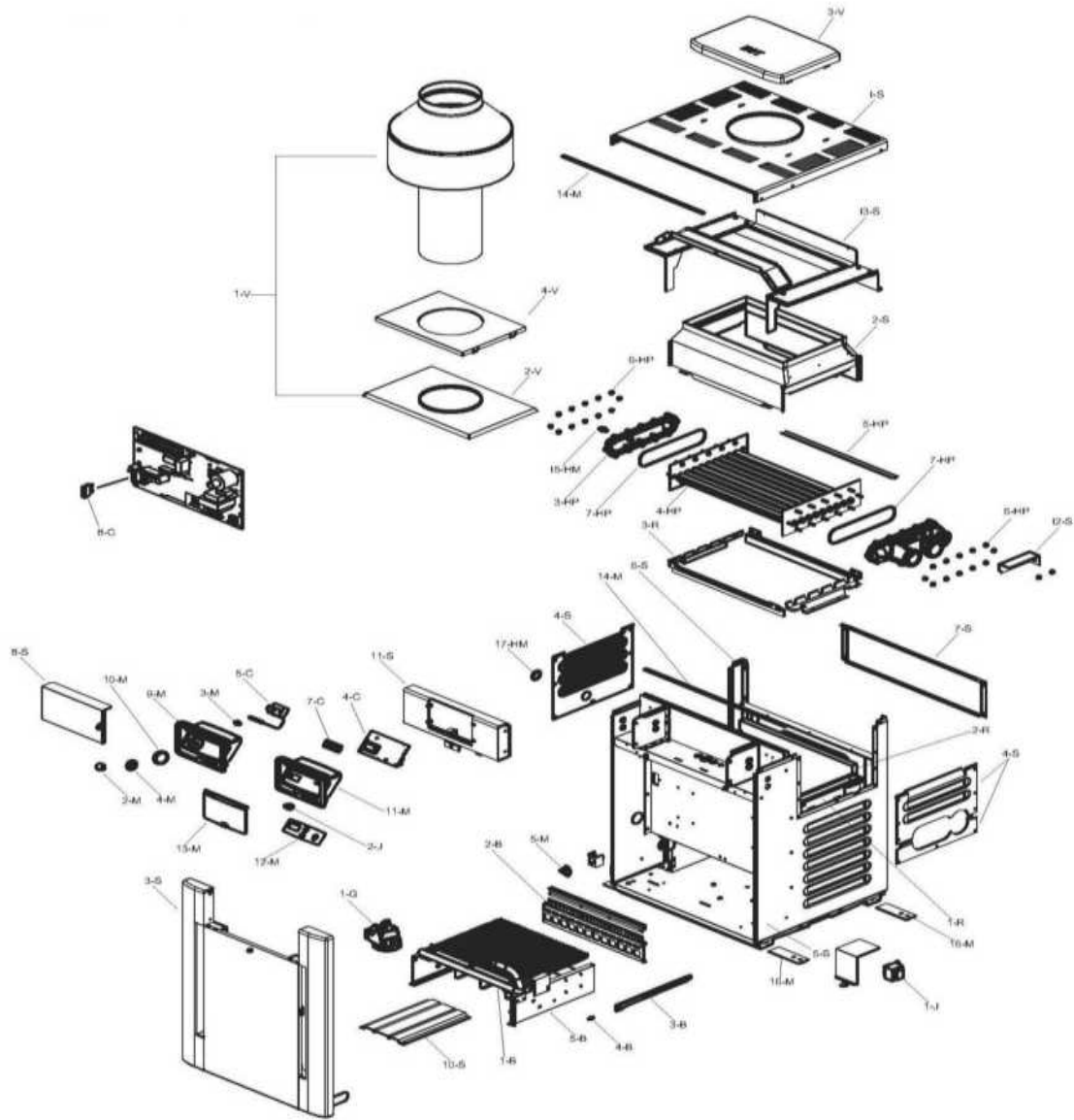
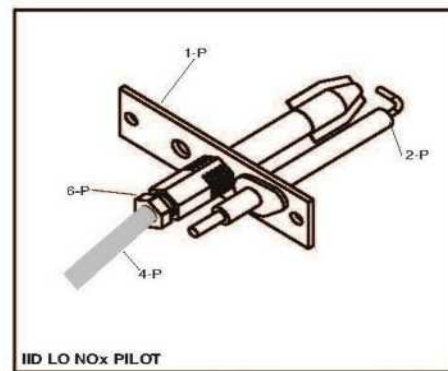
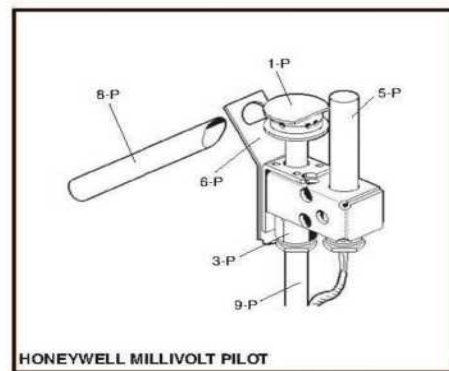
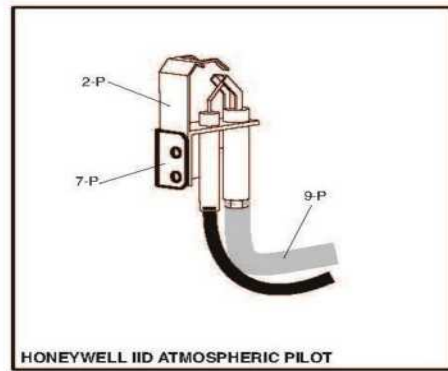
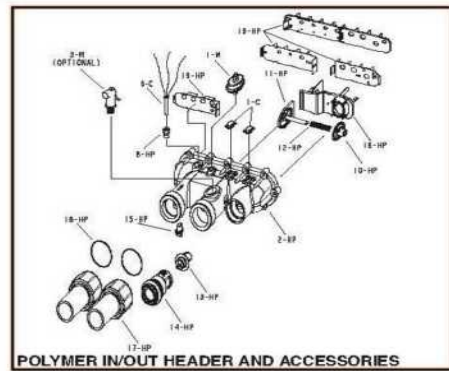
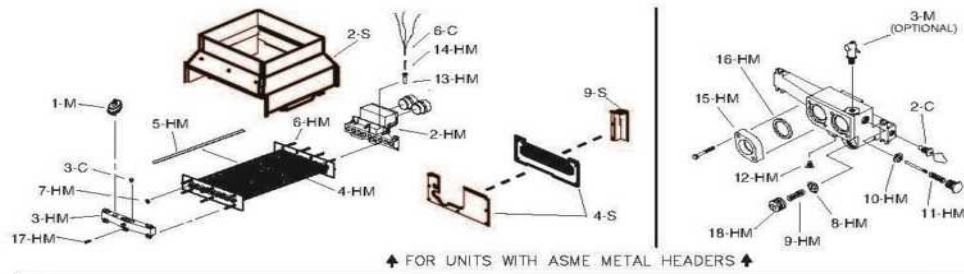


RAYPAK - HEATER PARTS

RAYPAK - HEATER PARTS - R206A - R406A



RAYPAK - HEATER PARTS - R206A - R406A CONTINUED



RAYPAK - HEATER PARTS - R206A - R406A

ITEM PART NUMBER	KEY	PRINTED DESCRIPTION	RETAIL PRICE	QTY TO ORDER
PTS-010391F	1-B	TRAY/MAN 206 BRNR-KIT	671.99	
PTS-010392F	1-B	TRAY/MAN 266 BRNR-KIT	755.99	
PTS-010393F	1-B	TRAY/MAN 336 BRNR-KIT	839.99	
PTS-010394F	1-B	TRAY/MAN 406 BRNR-KIT	1179.99	
PTS-010395F	1-B	TRAY/MAN 206 W/OBRNR-KIT	394.99	
PTS-010396F	1-B	TRAY/MAN 266 W/OBRNR-KIT	435.99	
PTS-010397F	1-B	TRAY/MAN 336 W/OBRNR-KIT	497.99	
PTS-010398F	1-B	TRAY/MAN 406 W/OBRNR-KIT	624.99	
PTS-010399F	1-B	TRAY/MAN 206 W/VALVE NAT STG-KIT	1389.99	
PTS-010401F	1-B	TRAY/MAN 336 W/VALVENAT STG-KIT	1766.99	
PTS-010402F	1-B	TRAY/MAN 406 W/VALVENAT STG-KIT	1916.99	
PTS-010403F	1-B	TRAY/MAN 206 W/VALVE PRO STG-KIT	1389.99	
PTS-010405F	1-B	TRAY/MAN 336 W/VALVEPRO STG-KIT	1766.99	
PTS-010406F	1-B	TRAY/MAN 406 W/VALVEPRO STG-KIT	1916.99	
PTS-010408F	1-B	TRAY/MAN 266 W/VALVE NAT IID-KIT	1799.99	
PTS-010409F	1-B	TRAY/MAN 336 W/VALVENAT IID-KIT	1878.99	
PTS-010410F	1-B	TRAY/MAN 406 W/VALVENAT IID-KIT	2027.99	
PTS-010411F	1-B	TRAY/MAN 206 W/VALVE PRO IID-KIT	1510.99	
PTS-010412F	1-B	TRAY/MAN 266 W/VALVE PRO IID-KIT	1799.99	
PTS-010413F	1-B	TRAY/MAN 336 W/VALVEPRO IID-KIT	1766.99	
PTS-010414F	1-B	TRAY/MAN 406 W/VALVEPRO IID-KIT	2027.99	
PTS-301210	3-B	BURNER	19.99	
PTS-350079F	4-B	ORIFICE-BURNER NAT #50	3.99	
PTS-350083F	4-B	ORIFICE-BURNER PRO #57	3.99	
PTS-010421F	5-B	BURNER TRAY REBUILD206-KIT	332.99	
PTS-010422F	5-B	BURNER TRAY REBUILD266-KIT	375.99	
PTS-010423F	5-B	BURNER TRAY REBUILD336-KIT	444.99	
PTS-010424F	5-B	BURNER TRAY REBUILD406-KIT	576.99	
PTS-006725F	1-C	HIGH LIMIT 135FAUTO RESET SURFACE MTG-KIT	44.99	
PTS-600892B	2-C	HIGH LIMIT 135FAUTO RESET-KIT	44.99	
PTS-600893B	3-C	HIGH LIMIT 140FAUTO RESET-KIT	44.99	
PTS-013464F	4-C	PC BOARD CONTROLLER106A-405B 206A-408 3WIRE-KIT	435.99	
PTS-003346F	5-C	THERMOSTAT POOL/ELECTRIC SPA-KIT	178.99	
PTS-009577F	6-C	TEMPERATURE SENSORIID THREE WIRE-KIT	76.99	
PTS-013640F	7-C	LCD DISPLAY POOLSTAT-KIT	46.99	
PTS-003898F	1-G	GAS VALVE MV NATPOOL-KIT	381.99	

RAYPAK - HEATER PARTS - R206A - R406A CONTINUED

ITEM PART NUMBER	KEY	PRINTED DESCRIPTION	RETAIL PRICE	QTY TO ORDER
PTS-003899F	1-G	GAS VALVE MV PROPOOL-KIT	381.99	
PTS-003900F	1-G	GAS VALVE IID NATPOOL-KIT	357.99	
PTS-010043F	1-HP	HT EX 206/207POLYMER-KIT	2264.99	
PTS-010044F	1-HP	HT EX 266/267POLYMER-KIT	2387.99	
PTS-010045F	1-HP	HT EX 336/337POLYMER-KIT	2506.99	
PTS-010046F	1-HP	HT EX 406/407POLYMER-KIT	2571.99	
PTS-010356F	1-HP	HT EX 206/207POLYMER CUPRO NICKEL-KIT	2824.99	
PTS-010357F	1-HP	HT EX 266/267POLYMER CUPRO NICKEL-KIT	3044.99	
PTS-010358F	1-HP	HT EX 336/337POLYMER CUPRO NICKEL-KIT	3255.99	
PTS-010359F	1-HP	HT EX 406/407POLYMER CUPRO NICKEL-KIT	3433.99	
PTS-006827F	2-HP	HDR IN/OUT POLYMERPOOL 185-405 206-407-KIT	684.99	
PTS-006706F	2-HP	HDR IN/OUT POLYMER185-405-KIT	520.99	
PTS-006707F	3-HP	HDR RETURN POLYMER185-405-KIT	152.99	
PTS-010059F	4-HP	TUBE BUNDLE 206/207POLYMER-KIT	1011.99	
PTS-010060F	4-HP	TUBE BUNDLE 266/267POLYMER-KIT	1094.99	
PTS-010061F	4-HP	TUBE BUNDLE 336/337POLYMER-KIT	1168.99	
PTS-010062F	4-HP	TUBE BUNDLE 406/407POLYMER-KIT	1258.99	
PTS-010364F	4-HP	TUBE BUNDLE 206/207POLYMER CUPRO NICKEL-KIT	1499.99	
PTS-010365F	4-HP	TUBE BUNDLE 265/266/267 POLYMER CUPRO NICKEL-KIT	1691.99	
PTS-010366F	4-HP	TUBE BUNDLE 336/337POLYMER CUPRO NICKEL-KIT	1854.99	
PTS-010367F	4-HP	TUBE BUNDLE 406/407POLYMER CUPRO NICKEL-KIT	2048.99	
PTS-008259F	6-HP	FLANGE NUT 1/4-20-KIT	21.99	
PTS-006713F	7-HP	O RING GASKET (2)185-405 206-406 207-407-KIT	26.99	
PTS-006714F	8-HP	SENSOR ADAPTER POOL-KIT	35.99	
PTS-006805F	8-HP	SENSOR WELL-KIT	39.99	
PTS-006715F	9-HP	BYPASS 185-405206-406 207-407-KIT	47.99	
PTS-006716F	10-HP	BYPASS VALVE POOL-KIT	38.99	
PTS-006717F	11-HP	BYPASS DAM/SHAFT-KIT	39.99	
PTS-006718F	12-HP	BYPASS SPRING185-405 206-406 207-407-KIT	34.99	
PTS-006719F	13-HP	UG 185-405 206-406207-407-KIT	75.99	
PTS-006720F	14-HP	UG PLUG POLYMER185-405 206-406 207-407-KIT	39.99	
PTS-006721F	15-HP	DRAIN PLUG POOL-KIT	19.99	
PTS-006723F	17-HP	CONNECTOR & NUT CPVC2" (2)-KIT	47.99	
PTS-006724F	18-HP	O RING INLET/OUTLETPOOL-KIT	24.99	
PTS-006826F	19-HP	BAFFLE PLASTIC HDR-KIT	37.99	
PTS-010088F	1-R	REF BLOCK 206-408LT&RT-KIT	246.99	

RAYPAK - HEATER PARTS - R206A - R406A CONTINUED

ITEM PART NUMBER	KEY	PRINTED DESCRIPTION	RETAIL PRICE	QTY TO ORDER
PTS-010089F	2-R	REF BLOCK FT & RR206-KIT	187.99	
PTS-010090F	2-R	REF BLOCK FT & RR266-268-KIT	217.99	
PTS-010091F	2-R	REF BLOCK FT & RR336-KIT	242.99	
PTS-010092F	2-R	REF BLOCK FT & RR406-408-KIT	271.99	
PTS-010387F	3-R	REF RETAINER 206-KIT	70.99	
PTS-010388F	3-R	REF RETAINER 266-268-KIT	80.99	
PTS-010389F	3-R	REF RETAINER 336-KIT	89.99	
PTS-010390F	3-R	REF RETAINER 406-408-KIT	97.99	
PTS-010360F	1-HM	HT EX 206/207 CIASME CUPRO NICKEL-KIT	2784.99	
PTS-010361F	1-HM	HT EX 266/267 CIASME CUPRO NICKEL-KIT	3015.99	
PTS-010362F	1-HM	HT EX 336/337 CIASME CUPRO NICKEL-KIT	3229.99	
PTS-010363F	1-HM	HT EX 406/407 CIASME CUPRO NICKEL-KIT	3402.99	
PTS-006730F	2-HM	HDR IN/OUT CICOMPLETE 185-405 206-407-KIT	510.99	
PTS-003766F	15-HM	FLANGE IN/OUT CI1-1/2 & 2-KIT	94.99	
PTS-062236B	16-HM	GASKET HDR FLANGE1-1/2-KIT	13.99	
PTS-006731F	3-HM	HDR RETURN CI185-405 206-406 207-407-KIT	148.99	
PTS-800014B	7-HM	GASKET HT EX 3/4 IDFLAT-KIT	22.99	
PTS-062234B	8-HM	UNITHERM GOV155B-405 206-408-KIT	75.99	
PTS-062235B	10-HM	BYPASS VALVE105A-405 206-408-KIT	40.99	
PTS-850252	11-HM	SPRING-BYPASS	3.99	
PTS-003765F	13-HM	SENSOR WELL 105A-405206-408 207-407-KIT	64.99	
PTS-300203	14-HM	RETAINER-TEMP SENSORBULB	0.99	
PTS-005264F	17-HM	DRAIN PLUG RETURNHEADER-KIT	14.99	
PTS-006736F	1-J	TRANSFORMER 120/240V-KIT	86.99	
PTS-009493F	2-J	ROCKER SWITCH SPST-KIT	20.99	
PTS-002003F	2-P	PILOT E10 NAT/PRO053-408-KIT	95.99	
PTS-003901F	3-P	PILOT ORIFICE NAT MV-KIT	7.99	
PTS-003902F	3-P	PILOT ORIFICE PRO MV-KIT	36.99	
PTS-010352F	6-P	PILOT BRKT MV206-406-KIT	7.99	
PTS-306692	7-P	BRACKET-PILOT MTG	6.99	
PTS-004078F	9-P	PILOT TUBE 34"-KIT	54.99	
PTS-010351F	11-P	PILOT SHIELD 206-408-KIT	6.99	
PTS-006737F	1-M	PRESSURE SWITCH 1.75PSI-KIT	67.99	
PTS-009133F	1-M	PRESSURE SWITCH 11PSI-KIT	75.99	
PTS-009499F	2-M	CONTROL KNOB MV-KIT	4.99	
PTS-006886F	4-M	THERMOSTAT KNOB STOP-KIT	6.99	

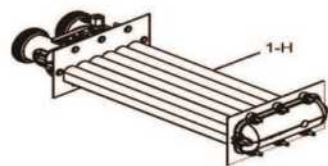
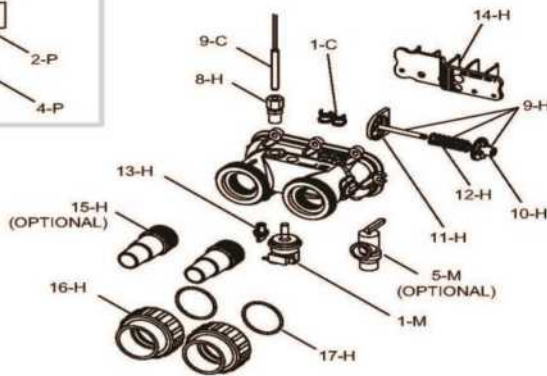
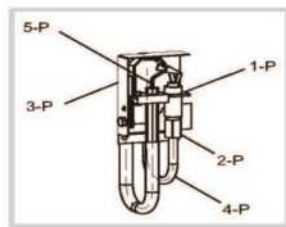
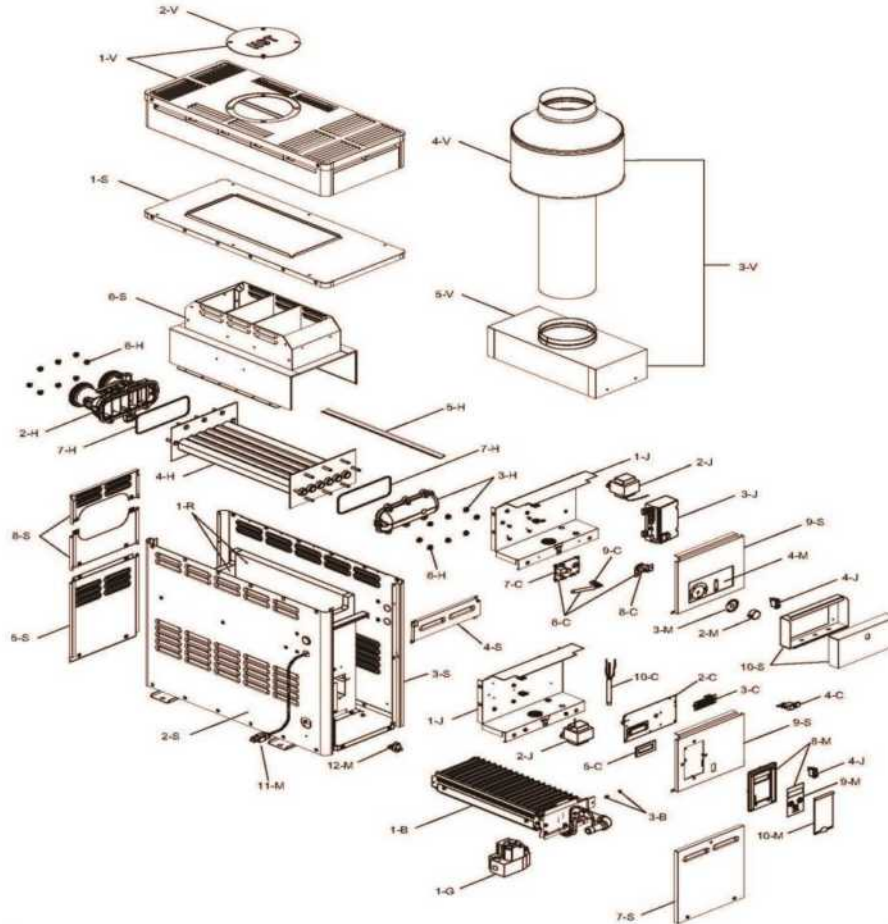
RAYPAK - HEATER PARTS - R206A - R406A CONTINUED

ITEM PART NUMBER	KEY	PRINTED DESCRIPTION	RETAIL PRICE	QTY TO ORDER
PTS-005899F	5-M	THERMAL CUT-OFF FUSE-KIT	36.99	
PTS-008091F	6-M	PRV 125 PSI-KIT	73.99	
PTS-007224F	6-M	PRV 125 PSI-KIT	106.99	
PTS-052871F	7-M	DELIMING 5/8 TUBE-KIT	274.99	
PTS-010386F	8-M	WIRE/HARNESS MV206-406-KIT	110.99	
PTS-009490F	8-M	WIRE/HARNESS IID185B-405B 206-406-KIT	167.99	
PTS-009489F	9-M	CONTROL BEZEL MV185B-405B 206-406-KIT	119.99	
PTS-009491F	11-M	CONTROL BEZEL IID185B-405B 206-407-KIT	186.99	
PTS-013491F	11-M	CONTROL BEZEL IID206A-408A-KIT	182.99	
PTS-009492F	12-M	SWITCH/DECALMEMBRANE 185B-407-KIT	64.99	
PTS-013492F	12-M	SWITCH/DECALMEMBRANE 206A-408A-KIT	64.99	
PTS-009487F	13-M	COVER CONTROL BEZEL-KIT	33.99	
PTS-010350F	14-M	GASKET INSULATION206-408-KIT	34.99	
PTS-750125	15-M	PAINT-AERO FOREST GREEN	54.99	
PTS-750126	15-M	PAINT-AERO CHARCOAL GREY	59.99	
PTS-750256	15-M	PAINT-AERO COOL DARKGREY	54.99	
PTS-750258	15-M	PAINT-AERO WARM DARKGREY	54.99	
PTS-010047F	1-S	JACKET TOP 206-207-KIT	326.99	
PTS-010048F	1-S	JACKET TOP 266-268-KIT	348.99	
PTS-010049F	1-S	JACKET TOP 336-337-KIT	368.99	
PTS-010050F	1-S	JACKET TOP 406-408-KIT	391.99	
PTS-010074F	2-S	FLUE COLLECTOR 406-KIT	438.99	
PTS-010075F	2-S	FLUE COLLECTOR 206ASME-KIT	419.99	
PTS-010076F	2-S	FLUE COLLECTOR 266ASME-KIT	419.99	
PTS-010077F	2-S	FLUE COLLECTOR 336ASME-KIT	444.99	
PTS-010078F	2-S	FLUE COLLECTOR 406ASME-KIT	444.99	
PTS-013859F	3-S	DOOR 206 RAYPAK COOLDARK GREY-KIT	250.99	
PTS-013860F	3-S	DOOR 266 RAYPAK COOLDARK GREY-KIT	270.99	
PTS-013861F	3-S	DOOR 336 RAYPAK COOLDARK GREY-KIT	283.99	
PTS-013862F	3-S	DOOR 406 RAYPAK COOLDARK GREY-KIT	289.99	
PTS-010382F	3-S	DOOR 206 RHEEM/RUUDGREEN-KIT	250.99	
PTS-010384F	3-S	DOOR 336 RHEEM/RUUDGREEN-KIT	283.99	
PTS-010385F	3-S	DOOR 406 RHEEM/RUUDGREEN-KIT	289.99	
PTS-013863F	3-S	DOOR 206 RHEEM COOL& WARM GREY-KIT	250.99	
PTS-013864F	3-S	DOOR 266 RHEEM COOL& WARM GREY-KIT	270.99	
PTS-013865F	3-S	DOOR 336 RHEEM COOL& WARM GREY-KIT	283.99	

RAYPAK - HEATER PARTS - R206A - R406A CONTINUED

ITEM PART NUMBER	KEY	PRINTED DESCRIPTION	RETAIL PRICE	QTY TO ORDER
PTS-013866F	3-S	DOOR 406 RHEEM COOL& WARM GREY-KIT	289.99	
PTS-010382F	3-S	DOOR 206 RHEEM/RUUDGREEN-KIT	250.99	
PTS-010384F	3-S	DOOR 336 RHEEM/RUUDGREEN-KIT	283.99	
PTS-010385F	3-S	DOOR 406 RHEEM/RUUDGREEN-KIT	289.99	
PTS-013867F	3-S	DOOR 206 RUUD WARMGREY-KIT	250.99	
PTS-013868F	3-S	DOOR 266 RUUD WARMGREY-KIT	270.99	
PTS-013869F	3-S	DOOR 336 RUUD WARMGREY-KIT	283.99	
PTS-013870F	3-S	DOOR 406 RUUD WARMGREY-KIT	289.99	
PTS-010377F	6-S	JACKET SIDE LT206-408-KIT	243.99	
PTS-010374F	7-S	JACKET REAR PANEL(2) 336-KIT	158.99	
PTS-010375F	7-S	JACKET REAR PANEL(2) 406-408-KIT	178.99	
PTS-010319F	9-S	HIGH LIMIT COVER206-408 207-407-KIT	44.99	
PTS-010320F	10-S	BASE HEAT SHIELD206-408 207-407-KIT	39.99	
PTS-010342F	12-S	SHIELD HIGH LIMIT206/407-KIT	38.99	
PTS-010330F	2-V	STACK ADAPTER206-207-KIT	84.99	
PTS-010331F	2-V	STACK ADAPTER266-268-KIT	86.99	
PTS-010332F	2-V	STACK ADAPTER336-337-KIT	94.99	
PTS-010333F	2-V	STACK ADAPTER406-408-KIT	98.99	
PTS-011461F	4-V	STACK ADAPTER OUTER206-207-KIT	46.99	
PTS-011462F	4-V	STACK ADAPTER OUTER266-268-KIT	57.99	
PTS-011464F	4-V	STACK ADAPTER OUTER406-408-KIT	70.99	
PTS-010334	3-V	PAGODA TOP 206/207GREEN-KIT	51.99	
PTS-010335	3-V	PAGODA TOP266/267/268 GREEN-KIT	64.99	
PTS-010336	3-V	PAGODA TOP 336/337GREEN-KIT	74.99	
PTS-010337	3-V	PAGODA TOP406/407/408 GREEN-KIT	89.99	
PTS-013883F	3-V	PAGODA TOP 206/207COOL DARK GREY-KIT	51.99	
PTS-013884F	3-V	PAGODA TOP 266/267COOL DARK GREY-KIT	64.99	
PTS-013885F	3-V	PAGODA TOP 336/337COOL DARK GREY-KIT	74.99	
PTS-013886F	3-V	PAGODA TOP 406/407COOL DARK GREY-KIT	89.99	
PTS-004690B	N/S	CONVERT NAT TO PRO151-266 MV-KIT	182.99	
PTS-004692B	N/S	CONVERT NAT TO PRO331-405 MV-KIT	190.99	
PTS-010420F	N/S	CONVERT PRO TO NAT336-406-KIT	162.99	
PTS-010419F	N/S	CONVERT PRO TO NAT206-266-KIT	151.99	

RAYPAK - HEATER PARTS - R106A - R156A



RAYPAK - HEATER PARTS - R106A - R156A

ITEM PART NUMBER	KEY	PRINTED DESCRIPTION	RETAIL PRICE	QTY TO ORDER
PTS-014841F	1-B	TRAY/MAN 106A NAT1.30MM-KIT	364.99	
PTS-014842F	1-B	TRAY/MAN 156A NAT1.30MM-KIT	409.99	
PTS-014845F	1-B	TRAY/MAN 106A PRO.84MM-KIT	364.99	
PTS-014846F	1-B	TRAY/MAN 156A PRO.84MM-KIT	409.99	
PTS-014849F	1-B	BURNER TRAY 106A NAT1.30MM-KIT	503.99	
PTS-014850F	1-B	BURNER TRAY 156A NAT1.30MM-KIT	550.99	
PTS-014853F	1-B	BURNER TRAY 106A PRO.84MM-KIT	503.99	
PTS-014854F	1-B	BURNER TRAY 156A PRO.84MM-KIT	550.99	
PTS-006725F	1-C	HIGH LIMIT 135FAUTO RESET SURFACE MTG-KIT	44.99	
PTS-013464F	2-C	PC BOARD CONTROLLER106A-405B 206A-408 3WIRE-KIT	435.99	
PTS-013640F	3-C	LCD DISPLAY POOLSTAT-KIT	46.99	
PTS-014866F	5-C	GASKET LCD WINDOW-KIT	1.99	
PTS-011585F	6-C	THERMOSTAT POOL-KIT	332.99	
PTS-014923F	7-C	PC BOARD POOL IID106A-KIT	244.99	
PTS-011586F	8-C	POTENTIOMETER TEMPCONTROL-KIT	54.99	
PTS-011587F	9-C	TEMP SENSORELECTRONIC TWO WIRE-KIT	82.99	
PTS-009577F	10-C	TEMPERATURE SENSORIID THREE WIRE-KIT	76.99	
PTS-014867F	1-G	GAS VALVE NAT106A-156A-KIT	141.99	
PTS-014868F	1-G	GAS VALVE PRO106A-156A-KIT	141.99	
PTS-014869F	1-H	HT EX 106A POLYMER-KIT	1112.99	
PTS-014870F	1-H	HT EX 156A POLYMER-KIT	1323.99	
PTS-011594F	2-H	HDR IN/OUT POLYMERPOOL 130-KIT	520.99	
PTS-011595F	2-H	HDR IN/OUT POLYMER130 106A-156A-KIT	370.99	
PTS-011596F	3-H	HDR RETURN POLYMER130 106A-156A-KIT	110.99	
PTS-014874F	4-H	TUBE BUNDLE 106APOLYMER-KIT	491.99	
PTS-014875F	4-H	TUBE BUNDLE 156APOLYMER-KIT	654.99	
PTS-008259F	6-H	FLANGE NUT 1/4-20-KIT	21.99	
PTS-011600F	7-H	O RING GASKET (2)130 106A-156A-KIT	28.99	
PTS-006714F	8-H	SENSOR ADAPTER POOL-KIT	35.99	
PTS-011601F	9-H	BYPASS 130-KIT	39.99	
PTS-006716F	10-H	BYPASS VALVE POOL-KIT	38.99	
PTS-006717F	11-H	BYPASS DAM/SHAFT-KIT	39.99	
PTS-011602F	12-H	BYPASS SPRING 130-KIT	4.99	
PTS-006721F	13-H	DRAIN PLUG POOL-KIT	19.99	
PTS-014882F	14-H	INLET/OUTLET HEADERDAM 106A-156A-KIT	110.99	
PTS-011635	15-H	HOSE ADAPTOR1-1/2 MPT X 1-1/2-KIT	24.99	

RAYPAK - HEATER PARTS - R106A - R156A CONTINUED

ITEM PART NUMBER	KEY	PRINTED DESCRIPTION	RETAIL PRICE	QTY TO ORDER
PTS-006723F	16-H	CONNECTOR & NUT CPVC2" (2)-KIT	47.99	
PTS-006724F	17-H	O RING INLET/OUTLETPOOL-KIT	24.99	
PTS-014883F	1-J	CONTROL BOX ANALOGNAT 106A-KIT	379.99	
PTS-011605F	2-J	TRANSFORMER 120/240V130 106A-KIT	86.99	
PTS-006736F	2-J	TRANSFORMER 120/240V-KIT	86.99	
PTS-004817B	3-J	ELECTRONIC IGNITIONCONTROL W/O LOCKOUT-KIT	245.99	
PTS-004818B	3-J	ELECTRONIC IGNITIONCONTROL W/LOCKOUT-KIT	245.99	
PTS-009493F	4-J	ROCKER SWITCH SPST-KIT	20.99	
PTS-006737F	1-M	PRESSURE SWITCH 1.75PSI-KIT	67.99	
PTS-009133F	1-M	PRESSURE SWITCH 11PSI-KIT	75.99	
PTS-009499F	2-M	CONTROL KNOB MV-KIT	4.99	
PTS-006886F	3-M	THERMOSTAT KNOB STOP-KIT	6.99	
PTS-008091F	5-M	PRV 125 PSI-KIT	73.99	
PTS-052871F	6-M	DELIMING 5/8 TUBE-KIT	274.99	
PTS-014884F	7-M	WIRE/HARNESS 106A-KIT	69.99	
PTS-014885F	7-M	WIRE/HARNESS 156A-KIT	105.99	
PTS-014886F	8-M	CONTROL BEZEL 156A-KIT	119.99	
PTS-014887F	9-M	SWITCH/DECALMEMBRANE-KIT	64.99	
PTS-014888F	10-M	COVER CONTROL BEZEL-KIT	33.99	
PTS-011609F	11-M	LINE CORD 120V POOL-KIT	39.99	
PTS-005899F	12-M	THERMAL CUT-OFF FUSE-KIT	36.99	
PTS-750256	13-M	PAINT-AERO COOL DARKGREY	54.99	
PTS-750258	13-M	PAINT-AERO WARM DARKGREY	54.99	
PTS-002003F	1-P	PILOT E10 NAT/PRO053-408-KIT	95.99	
PTS-014889F	3-P	PILOT BRKT 106A-156A-KIT	6.99	
PTS-004078F	4-P	PILOT TUBE 34"-KIT	54.99	
PTS-014890F	1-R	REF BLOCK 106A-KIT	288.99	
PTS-014891F	1-R	REF BLOCK 156A-KIT	424.99	
PTS-014900F	6-S	FLUE COLLECTOR 106A-KIT	114.99	
PTS-014901F	6-S	FLUE COLLECTOR 156A-KIT	146.99	
PTS-014902F	7-S	JACKET DOOR RAYPAK/RUUD 106A-156A-KIT	127.99	
PTS-014903F	7-S	JACKET DOOR RHEEM106A-156A-KIT	127.99	
PTS-014904F	8-S	ACCESS PANEL106A-156A-KIT	73.99	
PTS-014906F	9-S	CONTROL PANEL 156A-KIT	75.99	
PTS-014907F	1-V	STACKLESS TOP 106A-KIT	203.99	
PTS-014908F	1-V	STACKLESS TOP 156A-KIT	206.99	

RAYPAK - HEATER PARTS - R106A - R156A CONTINUED

ITEM PART NUMBER	KEY	PRINTED DESCRIPTION	RETAIL PRICE	QTY TO ORDER
PTS-014909F	2-V	ACCESS STACK106A-156A-KIT	14.99	
PTS-014910F	5-V	STACK ADAPTER 106A-KIT	75.99	
PTS-014911F	5-V	STACK ADAPTER 156A-KIT	77.99	
PTS-014914F	N/S	CONVERT NAT TO PRO106A CU-KIT	462.99	
PTS-014915F	N/S	CONVERT NAT TO PRO156A CU-KIT	213.99	
PTS-014918F	N/S	CONVERT PRO TO NAT106A CU-KIT	462.99	
PTS-014919F	N/S	CONVERT PRO TO NAT156A CU-KIT	684.99	