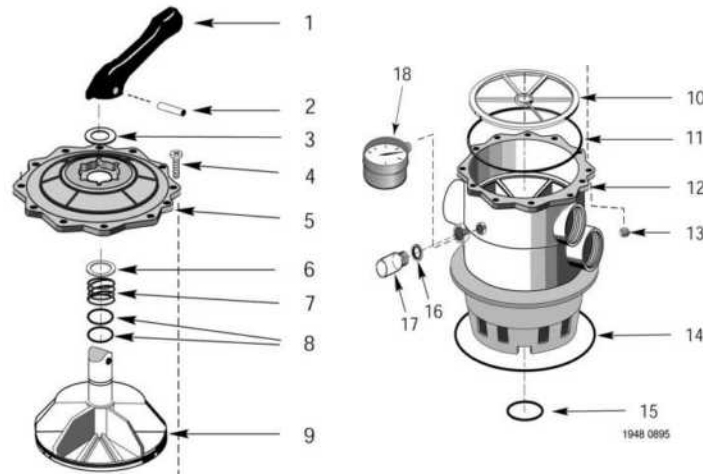
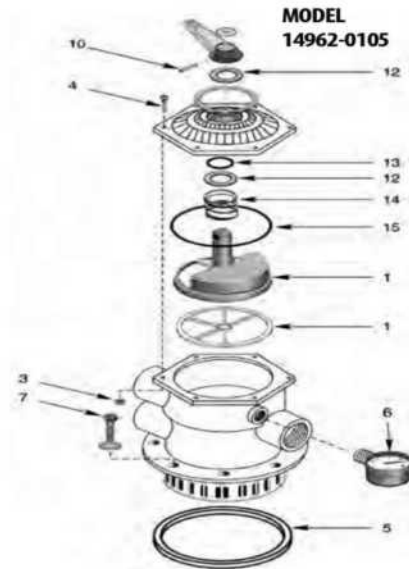


STA-RITE - VALVE PARTS



STA-RITE - VALVE PARTS - MULTIPOINT 2" VALVE

ITEM PART NUMBER	KEY	PRINTED DESCRIPTION	RETAIL PRICE	QTY TO ORDER
PTS-14971SM10E1	1	HNDL MLTPRT VLV	45.99	
PTS-14971SM10E2	2	PIN VLV HNDL SS	18.99	
PTS-14971SM10E3	3	WSHR VLV HNDL SS	12.99	
PTS-14971SM10E4	4	SCR SS 304	4.99	
PTS-14971SM20E6	5	VLV CVR 2" TOP-MOUNT BLK	71.99	
PTS-14971SM10E8	6	WSHR VLV DIV	12.99	
PTS-14971SM10E9	7	SPRNG MULT VLV SS	57.99	
PTS-14971SM10E10	8	ORNG VLV DIV	11.99	
PTS-14971SM20E11	9	VLV DIV HEAD	74.99	
PTS-14971SM20E12	10	GSKT VLV DIV	51.99	
PTS-14971SM20E7	11	ORNG VLV COVER	19.99	
PTS-14971SM10E14	13	NUT VLV COVER SS	2.99	
PTS-U9369	14	ORNG #2-442 N674 70DURO	18.99	
PTS-355051243	15	ORNG #2-229 (E1109-60	3.99	
PTS-14971SM10E17	16	SIGHTGLS	19.99	
PTS-14971SM10E16	17	GSKT FOR SIGHTGLS	6.99	
PTS-150600000T	18	GA 2" TAPED 1/4" NPT	52.99	
PTS-14971SM20E50	N/S	KEY ASY MULT VLV	467.99	



STA-RITE - VALVE PARTS - MULTIPORT 1-1/2" VALVE

ITEM PART NUMBER	KEY	PRINTED DESCRIPTION	RETAIL PRICE	QTY TO ORDER
PTS-149620017	1	PLG W/GSKT ASY	122.99	
PTS-149620021	5	SQ RNG #2-439S BUNA N	24.99	
PTS-150600000T	6	GA 2" TAPED 1/4" NPT	52.99	
PTS-U3074SS	7	SCR 3/8-16x1" HEX HD CAP SS	4.99	
PTS-358570021	10	DWL PIN 5/16"X2.5"302SS	7.99	
PTS-149620005	12	WSHR	4.99	
PTS-355051228	13	ORNG #2-216	4.99	
PTS-149620011	14	SPRING	23.99	
PTS-355051272	15	ORNG BUNA-N N674-70 5-5/8 ID X 1/8	12.99	
PTS-149620029	N/S	HNDL KIT 6POS VLV	39.99	
PTS-149620035	N/S	SPRNG & O KIT	50.99	