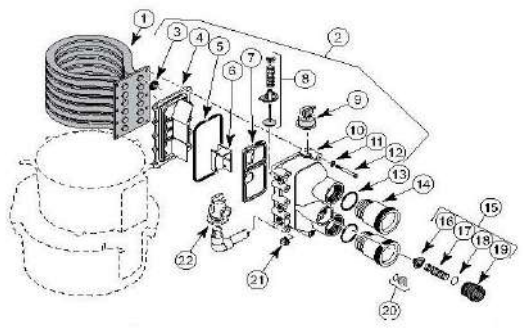
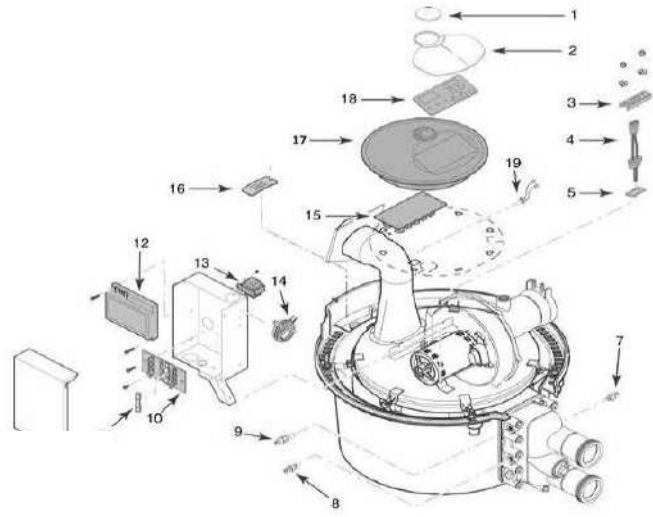
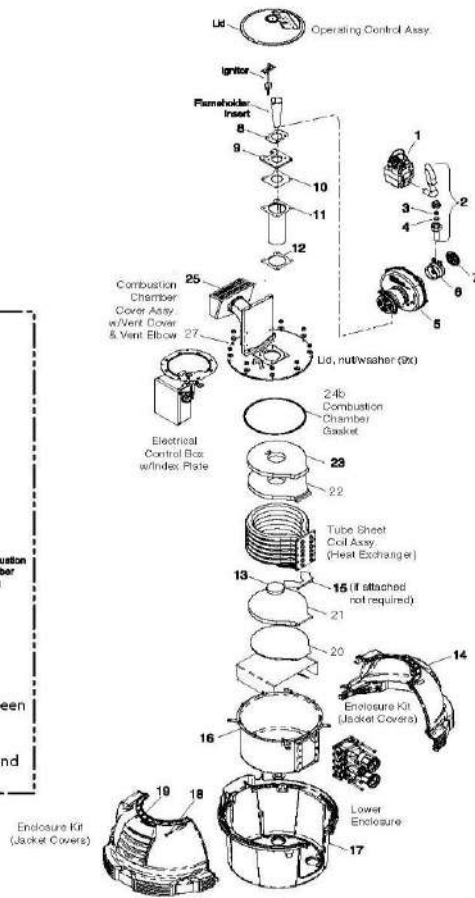
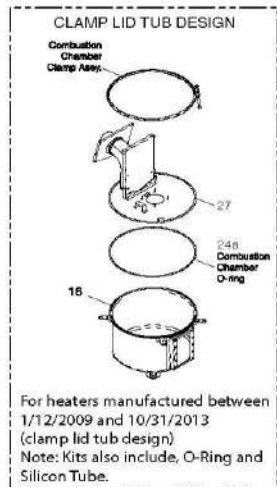


STA-RITE - HEATER PARTS - MAX-E-THERM HEATER



STA-RITE - HEATER PARTS - MAX-E-THERM HEATER CONTINUED

ITEM PART NUMBER	KEY	PRINTED DESCRIPTION	RETAIL PRICE	QTY TO ORDER
HEATER BURNER SYSTEM				
PTS-420010051S	1	SVC KIT COMB GAS VLV	544.99	
PTS-384044097S	2	UNION 3/4 IN FOR SERVICE	44.99	
PTS-777070251	5	COMBUSTION BLOWER KIT 200K NA	1030.99	
PTS-777070252	5	COMBUSTION BLOWER KIT 333K NA	1030.99	
PTS-777070253	5	COMBUSTION BLOWER KIT 400K NA	1030.99	
PTS-777070254	5	COMBUSTION BLOWER KIT 200K LP	1030.99	
PTS-777070255	5	COMBUSTION BLOWER KIT 333K LP	1030.99	
PTS-777070256	5	COMBUSTION BLOWER KIT 400K LP	1030.99	
PTS-777070002	14	ENCLOS KIT UPPER RIGHT	270.99	
PTS-474095	16	KIT TUB CC	849.99	
PTS-474957	16	KIT TUB CC 9 BOLT	528.99	
PTS-420010001S	17	ENCLOS KIT LWR HTR	660.99	
PTS-777073200N	19	ENCLOS KIT UPPER LEFT	282.99	
PTS-777073333N	19	ENCLOS KIT UPPER LEFT	282.99	
PTS-777073400N	19	ENCLOS KIT UPPER LEFT	282.99	
PTS-777073200L	19	ENCLOS KIT UPPER LEFT	282.99	
PTS-777073333L	19	ENCLOS KIT UPPER LEFT	282.99	
PTS-777073400L	19	ENCLOS KIT UPPER LEFT LPG	282.99	
PTS-474201	24A	ORING ME MT TUB RPLCMNT	59.99	
PTS-474952	24B	KIT HTR CC GSKT 9 BOLT	56.99	
PTS-474094	27	KIT LID CC	961.99	
PTS-474958	27	KIT LID CC 9 BOLT	601.99	
PTS-420020005S	28	METAL VENT CVR KIT HTR	163.99	
PTS-420010074S	29	SVC KIT LWR ENC INSUL	68.99	
PTS-777070431	N/S	GAS ORIFICE KIT 200K NA	67.99	
PTS-777070421	N/S	GAS ORIFICE KIT 333K NA	67.99	
PTS-777070411	N/S	GAS ORIFICE KIT 400K NA	67.99	
PTS-777070461	N/S	GAS ORIFICE KIT 200K LP	67.99	
PTS-777070451	N/S	GAS ORIFICE KIT 333K LP	67.99	
PTS-777070441	N/S	GAS ORIFICE KIT 400K LP	67.99	
PTS-777071461	N/S	CONVERSION KIT NA-LP 200K	70.99	
PTS-777071451	N/S	CONVERSION KIT NA-LP 333K	70.99	
PTS-777071441	N/S	CONVERSION KIT NA-LP 400K	70.99	
PTS-777071431	N/S	CONVERSION KIT LP-NA 200K	70.99	
PTS-777071421	N/S	CONVERSION KIT LP-NA 333K	70.99	
PTS-777071411	N/S	CONVERSION KIT LP-NA 400K	70.99	
PTS-777070111	N/S	AIR ORIFICE KIT 200K	81.99	

STA-RITE - HEATER PARTS - MAX-E-THERM HEATER CONTINUED

ITEM PART NUMBER	KEY	PRINTED DESCRIPTION	RETAIL PRICE	QTY TO ORDER
PTS-777070112	N/S	AIR ORIFICE KIT 333K	81.99	
PTS-777070113	N/S	AIR ORIFICE KIT 400K	81.99	
PTS-777070011	N/S	BLOWER/ADAPTER PLATE GSKT	80.99	
PTS-777070202	N/S	SERV KIT FLAMEHOLDER	191.99	
PTS-777070203	N/S	SERV KIT FLAMEHOLDER	215.99	
PTS-777070204	N/S	SERV KIT FLAMEHOLDER	251.99	
PTS-420010074S	N/S	SVC KIT LWR ENC INSUL	68.99	
PTS-777070008	N/S	SERV KIT KAOWOOL INSUL POOL HEATER	195.99	
PTS-777070112	N/S	AIR ORIFICE KIT 333K	81.99	
PTS-777070113	N/S	AIR ORIFICE KIT 400K	81.99	
HEATER ELECTRICAL SYSTEM				
PTS-777070009	1	DISPLAY COVER KIT RETAIN	88.99	
PTS-420010008S	2	DISPLAY CVR FOR SVC	49.99	
PTS-420010030S	3	IGNITER BRKT SVC	66.99	
PTS-777070054	4	IGNITER & GASKET KIT HTR	103.99	
PTS-420010066S	5	GSKT IGNTR SVC	66.99	
PTS-420020025S	7	SWTCH AGS 140F SVC PART	63.99	
PTS-420010063S	8	SWTCH HI-LIMIT	77.99	
PTS-420010053S	9	THERMISTOR SVC HTR	98.99	
PTS-420010056S	10	TERMINAL STRIP KIT HTR	66.99	
PTS-328500099	11	FUSE 240V/1.25A	8.99	
PTS-420010052S	12	IGN CNTRL MODULE	416.99	
PTS-420010107S	13	XFMR KIT DUAL VOLT	84.99	
PTS-420010057S	13	XFMR KIT FOR SINGLE VOLT WIRE HARNESS PRIOR 2004	79.99	
PTS-420010061S	14	AIR FLOW SWTCH KIT HTR	171.99	
PTS-420020007S	15	KIT CNTRL BOARD BASIC	788.99	
PTS-777070022	16	JUNCTION BOX COVER PKG	66.99	
PTS-777070013	17	KIT CNTRL BOARD ENCL 5 BUTTON	337.99	
PTS-420020029Z	18	SWITCH MEMBRANE RPLCMNT	171.99	
PTS-420020024S	19	STACK FLUE SVC KIT	148.99	
PTS-420010104S	N/S	WR HARN DUAL VOLT	413.99	
PTS-420010105S	N/S	PLG KIT VOLT SELECTOR	66.99	
PTS-420010247	N/S	BLWR ADPT DUAL/SNGL VOLT	48.99	
HEATER WATER SYSTEM				
PTS-777070232	1	TUBESHEET/COIL KIT 200K POOL HEATER	1086.99	
PTS-474058	1	KIT HTEXCH 175/200K HEATERS MFG AFTER JAN09	1130.99	
PTS-777070233	1	TUBESHEET/COIL KIT 333K POOL HEATER	1521.99	
PTS-474060	1	KIT HTEXCH 300/333K HEATERS MFG AFTER JAN09	1565.99	

STA-RITE - HEATER PARTS - MAX-E-THERM HEATER CONTINUED

ITEM PART NUMBER	KEY	PRINTED DESCRIPTION	RETAIL PRICE	QTY TO ORDER
PTS-777070234	1	TUBESHEET/COIL KIT 400K POOL HEATER	1695.99	
PTS-474061	1	KIT HTEXCH 400K HEATERS MFG AFTER JAN09	1869.99	
PTS-777070242	1	TUBESHEET/COIL KIT COPPER-NICKEL 200K	1580.99	
PTS-474062	1	KIT HTEXCH 200K HD HEATERS MFG AFTER JAN09	2191.99	
PTS-777070243	1	TUBESHEET/COIL KIT COPPER-NICKEL 333K	2347.99	
PTS-474064	1	KIT HTEXCH 300/333K HD HEATERS MFG AFTER JAN09	2565.99	
PTS-777070244	1	TUBESHEET/COIL KIT COPPER-NICKEL 400K	2739.99	
PTS-474065	1	KIT HTEXCH 400K HD HEATERS MFG AFTER JAN09	2826.99	
PTS-777070014	2	MANIFOLD KIT 200K	798.99	
PTS-777070015	2	MANIFOLD KIT 333K	798.99	
PTS-777070016	2	MANIFOLD KIT 400K	798.99	
PTS-474200	2	MFLD MT ME RPLCMNT	254.99	
PTS-777070117	3	COIL/TUBESHEET ORING PKG	66.99	
PTS-777070118	3	COIL/TUBESHEET O-RING PKG	66.99	
PTS-777070119	3	COIL/TUBESHEET ORING PKG	66.99	
PTS-777070001	8	MANIFOLD BYPASS VALVE PKG	70.99	
PTS-420010060S	9	SVC KIT PRESS SWTCH	102.99	
PTS-U9266	13	ORNG	3.99	
PTS-777070017	14	CONNECTOR TUBE KIT GAS HEATER	67.99	
PTS-777070010	15	THERMAL REGULATOR PACKAGE	129.99	
PTS-380000007S	16	SVC KIT THERMO-REGUL	88.99	
PTS-355051313	18	ORNG 2-326 BN	5.99	
PTS-U178920PZ	20	DRAIN PLUG ASY WITH ORING	5.99	
PTS-U7860ZPS	21	PIPE PLG 3/4" SQHD ZNPL	7.99	
PTS-473715Z	22	VLV RLF 50 PSI RPLCMNT	195.99	
PTS-PKG188Z	23	UNION 2"SLIP HALF UNION PKG	37.99	
PTS-472648Z	N/S	KIT BYPASS ACC PLUG	460.99	
PTS-777070120	N/S	O-RING KIT MANIFOLD/TUBE	56.99	
PTS-474096	N/S	KIT PRES VESSEL 400 ASME HEATERS MFG AFTER APRL09	3869.99	
PTS-474956	N/S	KIT 400 ASME PRES VESSEL 9 BOLT	3869.99	
PTS-460923	N/S	KIT BYPASS VLV	399.99	
PTS-461007	N/S	REPAIR TOOL KIT ASME	242.99	
PTS-460924	N/S	KIT THERMAL REGULATOR	195.99	
PTS-474097	N/S	KIT PRES VESSEL 250 ASME HEATERS MFG AFTER APRL09	3478.99	