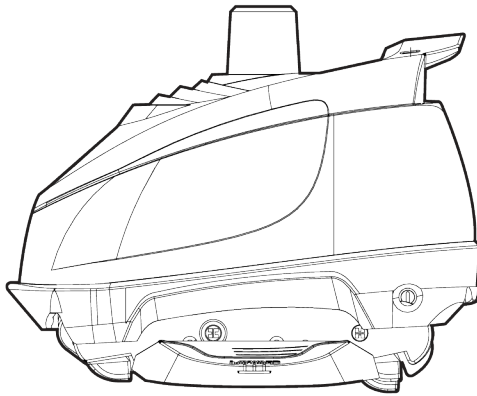




NAVIGATOR®/POOLVAC SERIES

Suction Pool Cleaner Owner's Manual



TURBINE SUCTION CLEANER

Owner's Manual

Congratulations on your purchase of your Hayward automatic suction pool cleaning system. Your Cleaner is the smart, efficient way to clean your in-ground pool.

Hayward Turbine Cleaners are powered by your pool's filter system and are designed to work well with most systems. The performance of the Cleaner in your pool will be relative to its power source. Because the operation and performance of the Cleaner are system reliant, there is a remote possibility that a service call may be necessary to complete the proper installation of your Cleaner. This call will be at the consumer's expense.

Lastly, one or more of the accessories designed for the Cleaner, including additional hose* sections, might be applicable to your installation. Consult your Hayward dealer for prices and availability. For Technical Assistance, call Hayward at 908.355.7995 (USA only).

SAFETY WARNINGS

DO NOT use to remove large debris in new pools.

REMOVE cleaner and hose before adding ANY chemicals to your pool.

DO NOT swim with cleaner.

Store the cleaner in a shaded safe area.

Hoses must be stored straight. **DO NOT** coil the hose.

KEEP AWAY from children and pets.

REMOVE cleaner when performing backwash.

REMEMBER safety first.

For complete warnings and safety information visit Hayward.com

FOR YOUR RECORDS

Purchase Date:

Serial Number:

KEY



Tip



Attention



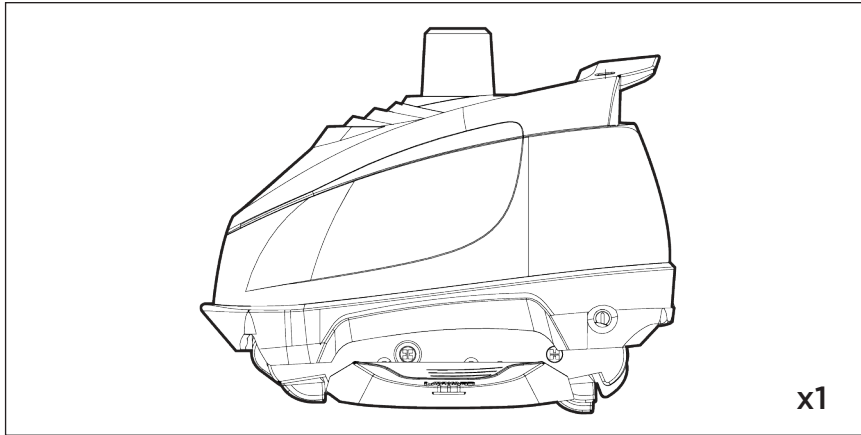
Pressure Adjustment



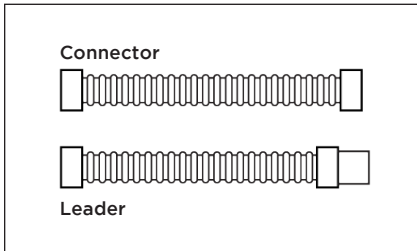
Pump



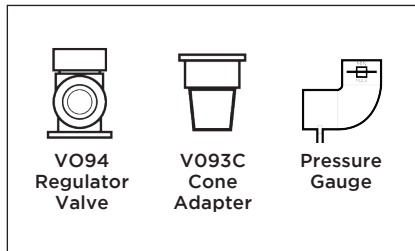
CARTON CONTENTS



Navigator Pro®



Connector/Leader Hoses



Accessory Kit

PoolVac V-Flex / Navigator V-Flex:

x9 Connectors

x1 Leader

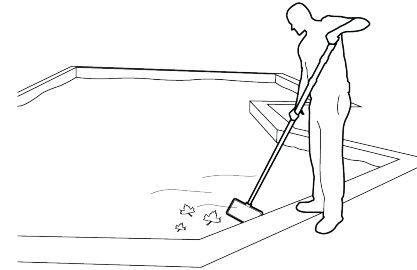
PoolVac - PoolVac XL - Navigator - Navigator Pro

x7 Connectors

x1 Leader

PREPARING THE POOL

Please complete the following steps to prepare your pool for installation:



DEBRIS

Remove any large objects and excessive debris from the pool.

WATER LEVEL

Confirm that water level is at the recommended level.



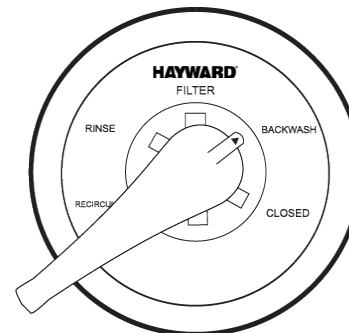
pH: 7.2 - 7.8

Chlorine: 1.0-3.0 P.P.M

Total Alkalinity: 80 - 120 P.P.M

WATER CHEMISTRY

Make sure water is properly balanced and that the pool is free from algae.



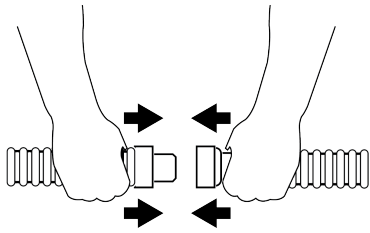
FILTER

Clean or backwash the filter.

Clean the hair and lint prior to installing the Cleaner.

INSTALLATION


Sizing Suction Hose



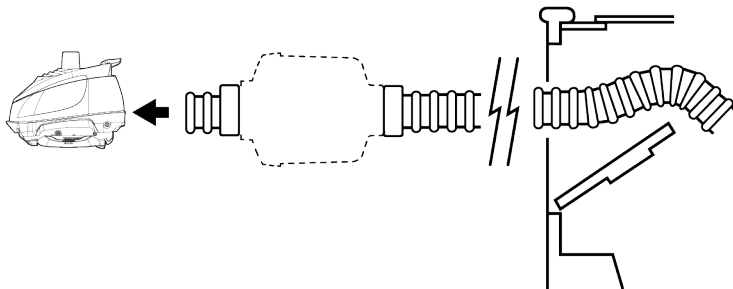
Step 1

Connect hose sections.

Note: Make sure all connections are tight to prevent air leaks.

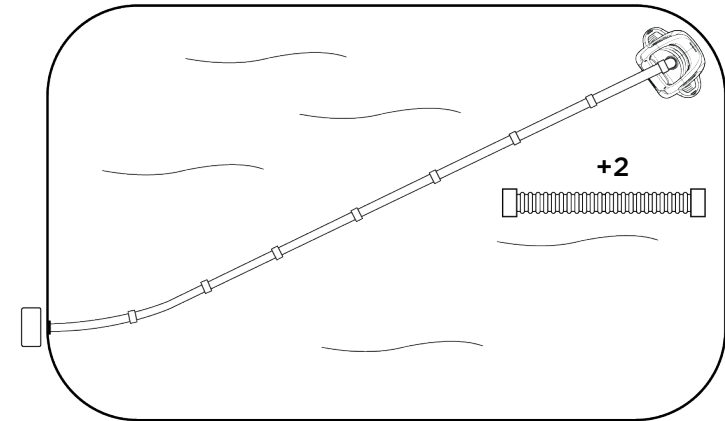
 **TIP:** Wetting the hose ends will make it easier to connect the hose sections.

 If optional Leaf Canister is purchased, install between 1st and 2nd hose sections.



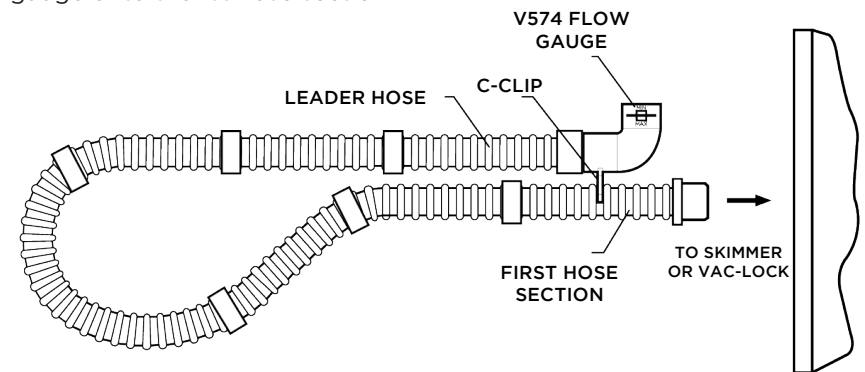
Step 2

Pull hose to farthest point of the pool + 2 extra hose sections.



Step 3

Fill hose completely with water.
Insert Flow Gauge into the leader hose. Attach the C-Clip of the gauge onto the 1st hose section.



 Make sure the Flow Gauge is under water.

INSTALLATION

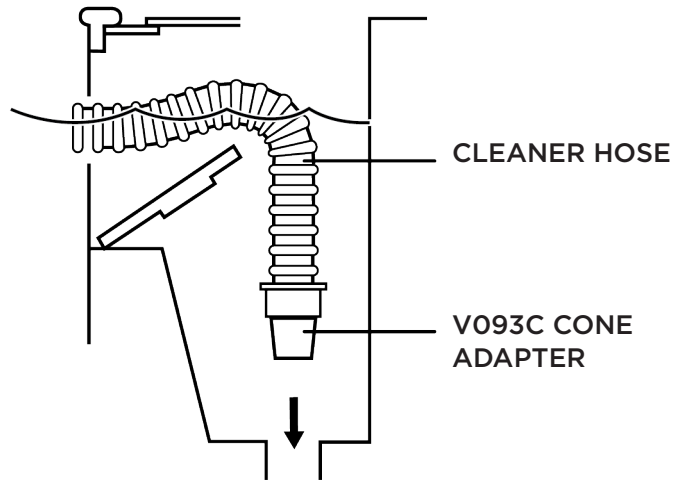
Step 4

Connecting to Skimmer:

Connect the V093C Skimmer Cone adapter to tapered male end of the vacuum hose.

Connecting to Hayward Vac Lock:

Insert the hose end directly into the Vac Lock **without using the cone**.

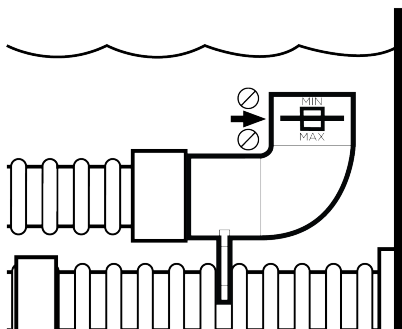


Step 5

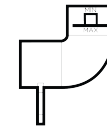
Check the water flow reading on the Flow Gauge.

The black disk should be between the "MIN" and "MAX" markings.

If the disk is in the proper location, move on to step 6.



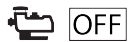
Reading Too High?



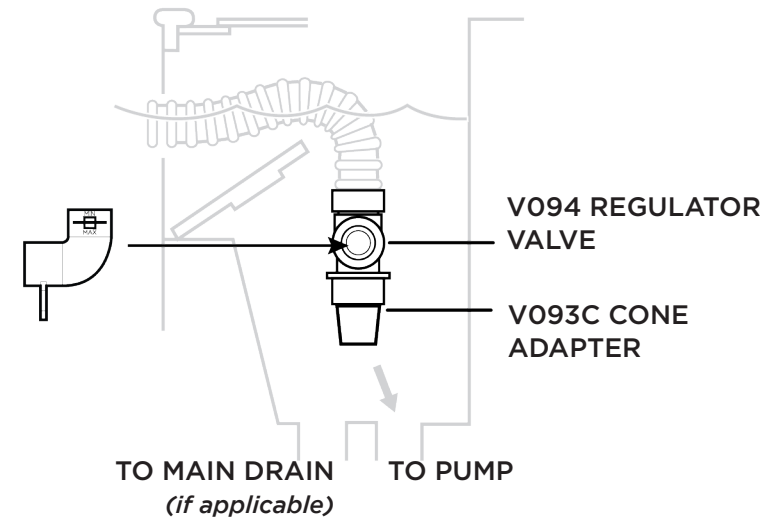
If the black disk is outside of the box on the "MAX" side and you have connected your hose to the skimmer, reduce the vacuum/ water flow by using one of the following:

- Suction Valve(s) in the filter system
- Hayward V094 Regulator Valve
- An optional Hayward Automatic Skimmer Vacuum Plate*

To install the V094 Regulator Valve:



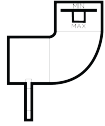
1. Remove the hose from the V093C Skimmer Cone
2. Close the Regulator Valve by rotating the blue collar clockwise until tight.
3. Insert the Valve into the Skimmer Cone and the hose end into the Valve.
4. Turn the filter system on and allow it to eliminate any air in the system.
5. Turn the blue collar clockwise until proper reading appears.



*Follow the installation instructions included with the Skimmer Vacuum Plate.

INSTALLATION

Reading Too Low?

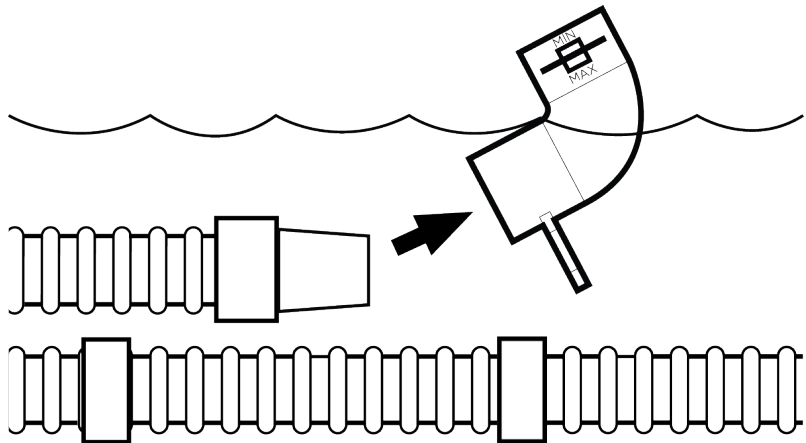


An initial vacuum reading that is TOO low to meet the water flow setting necessary to operate the Cleaner is indicative of a system problem, and not a problem with the Cleaner.

The Regulator Valve and Skimmer Vacuum Plate cannot be used to INCREASE the initial vacuum reading.

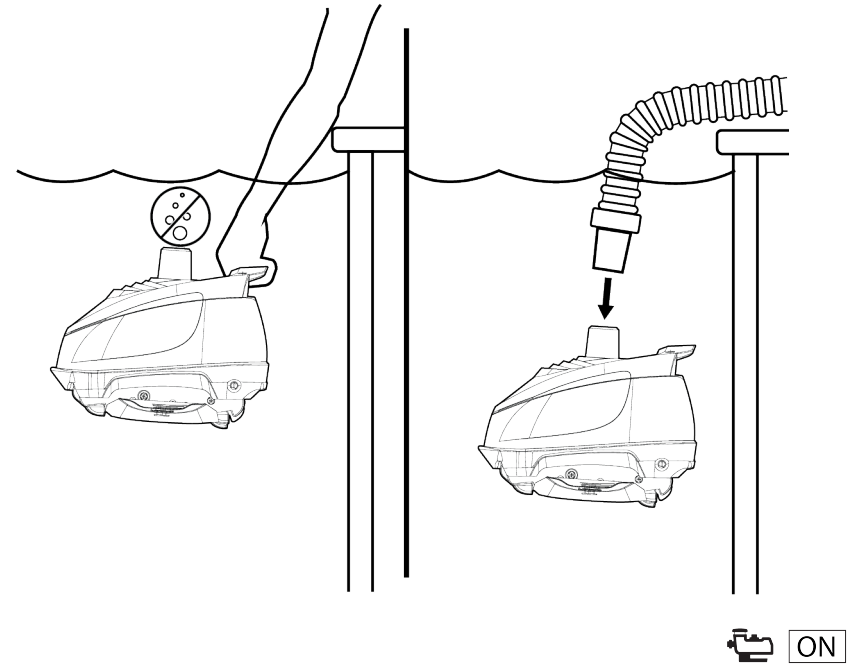
View our YouTube video or contact your authorized Hayward Dealer for assistance.

Step 6

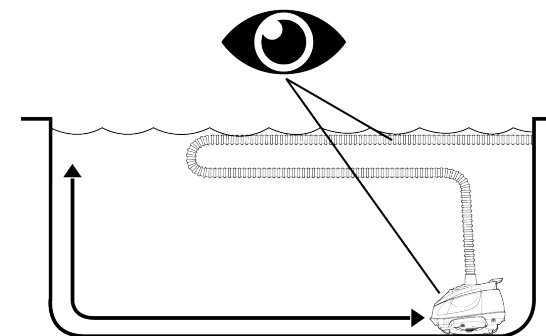


Step 7

Submerge the Cleaner into the water to remove all air. Fill hose completely with water.



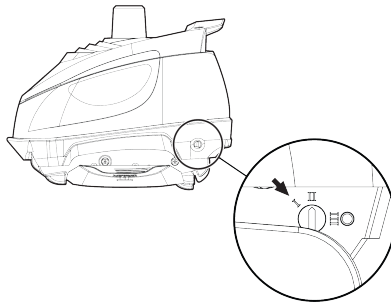
Step 8



FINE ADJUSTMENTS

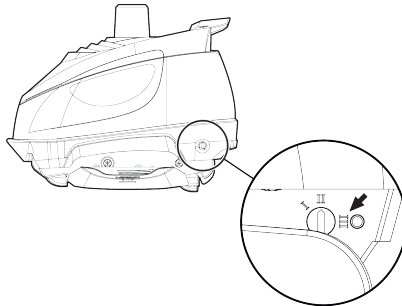
• Sticking on Steps/Liner/Obstacles

Your Cleaner should move about the pool without spending an excessive amount of time against the steps or other obstructions. If the cleaner seems to get “hung up,” turn the rear flapper adjuster to **Position I**.

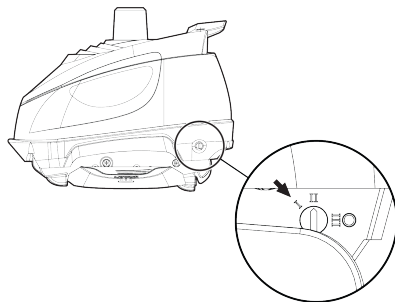



• Not Climbing the Walls or Stays on the Floor

If the Cleaner does not seem to be “sticking” to the wall, turn the rear flapper adjuster to **Position III**.

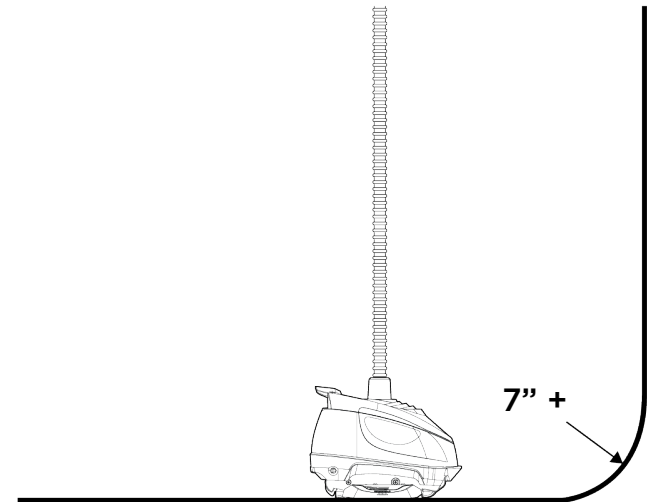


• Sucking Air At Surface or Climbing Too High



 Be aware that your Cleaner will climb the vertical walls in concrete and fiberglass pools if there is at least a seven inch (7”) radius where the walls and floor meet.

Due to the programmed steering, the Cleaner will not climb a wall every time it comes into contact with one.



IMPORTANT TIPS

💡 Periodically check the water flow/vacuum to be sure that your Cleaner is operating as efficiently as possible.

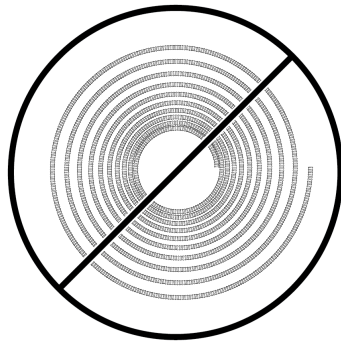
Remember, too much vacuum is just as bad as too little.

💡 Periodically check to make sure that the Cleaner hose is securely attached to its suction source (i.e. Skimmer, Skimmer Vac Plate, Vac Lock, etc.)

💡 Disconnect the Cleaner hose from the Skimmer/Regulator Valve, or, if using a “dedicated line,” turn cleaner valve off prior to “backwashing”, so as not to restrict water flow.

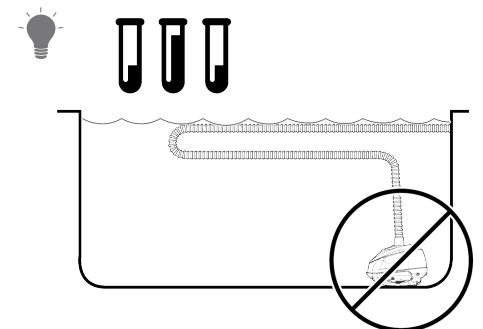
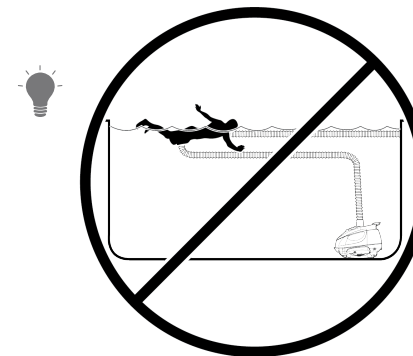
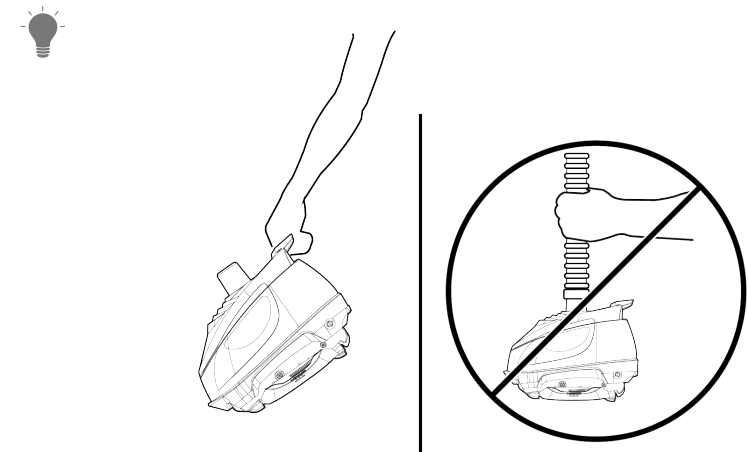
💡 **DO NOT COIL HOSE**
When storing your Cleaner, the hose sections must be stored straight. A coiled hose will create a memory in the hose that will impede the Cleaner’s ability to move properly.

⚠️ **Coiled hoses are not covered under the Hayward Warranty.**



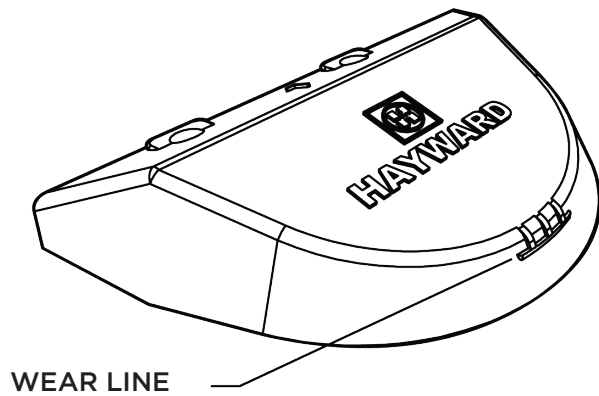
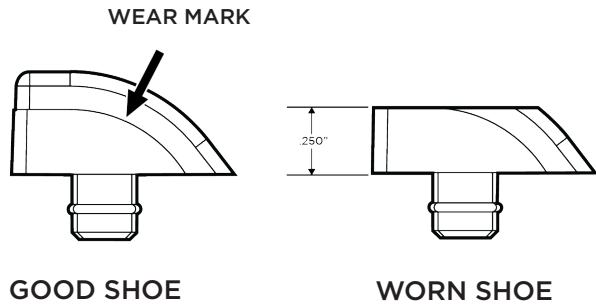
⚠️ **Use only original Hayward spare parts and hoses to insure proper operation.**


💡 When the Cleaner is out of the pool, always disconnect the leader hose from the Cleaner’s head.



MAINTENANCE TIPS

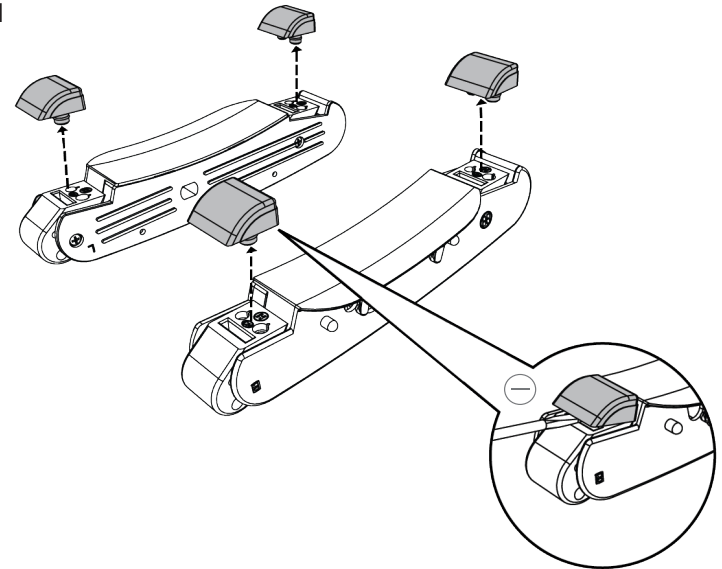
Check the condition of the “shoes, wings, and flaps” periodically.



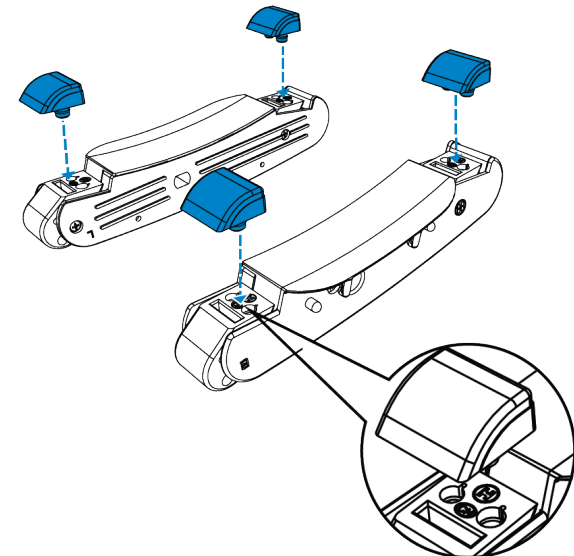
 Hayward not responsible for damage caused by worn or broken parts. Or damage caused by misuse of the cleaner.

Shoe Replacement:

Step 1



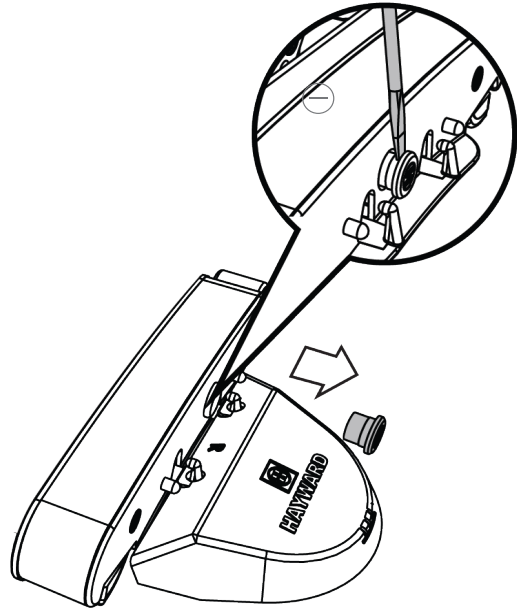
Step 2



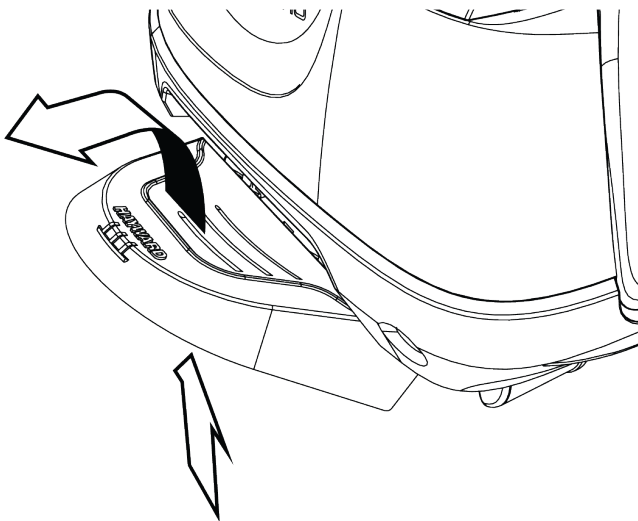
MAINTENANCE TIPS

Wing Replacement:

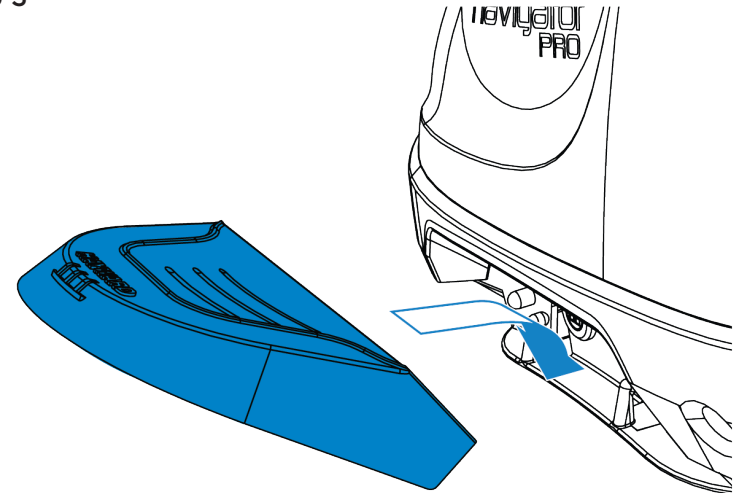
Step 1



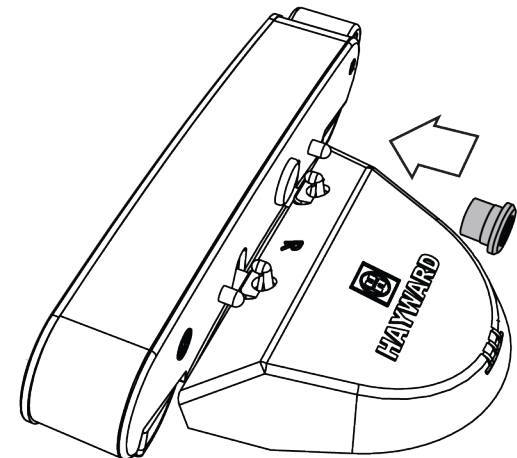
Step 2



Step 3



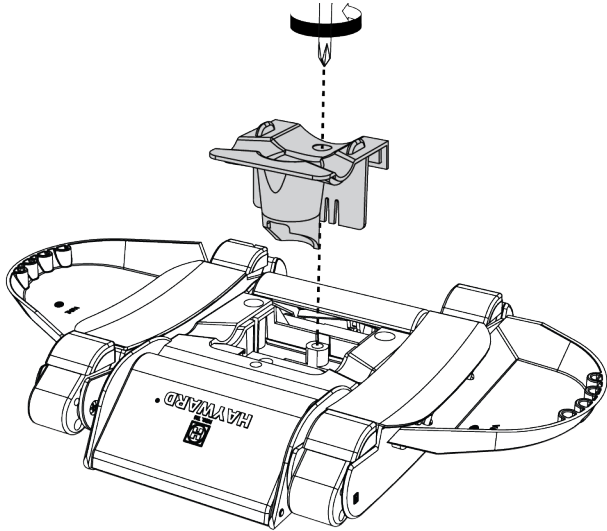
Step 4



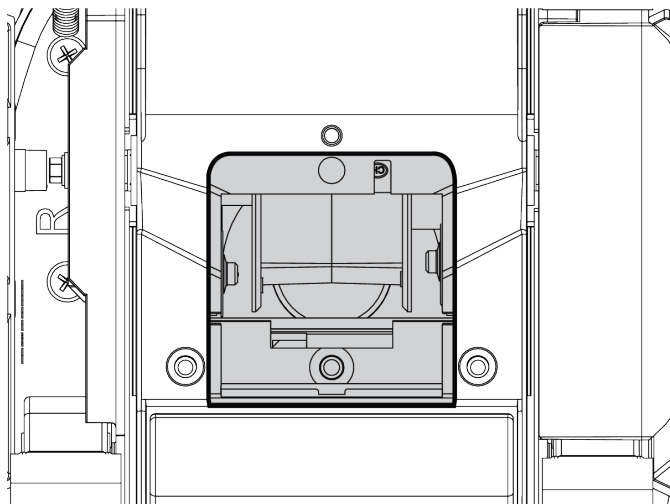
MAINTENANCE TIPS

“Easy Opening Bottom”: For Turbine Access and Inspection

Step 1



Step 2



TROUBLESHOOTING

FOR TECHNICAL ASSISTANCE, CALL: 1-800-227-1477

PROBLEM	CAUSE	SOLUTION
Slow or no forward movement.	Low or no water pressure.	Check filtration and booster pumps, valves, cleaner connections. Check cleaner pressure
Cleaner does not reach farthest point in pool.	Hose too short	Check hose length
Hose frequently tangles	Float not properly placed	Check float is centered on the two-foot hose connected to the pipe closest to the cleaner.
	Hose too long	Check hose length
	Sweep hose not moving	Check sweep hose for holes or clogs, increase sweep hose power.
Sweep hose sprays out of pool	Sweep hose power too strong	Reduce sweep hose power
Little or no sweep hose movement	Sweep hose power too weak	Increase hose power
	Hole in sweep hose	Replace sweep hose
	Debris clogging sweep hose	Disconnect sweep hose and flush out
Cleaner running on side or upside down	Heavy debris	Empty bag
	Pressure too high	Check operating pressure
Cleaner cannot climb to the surface in TOP mode	Pressure too high or too low	Check operating pressure
	Too much heavy debris in bag	Empty bag
Cleaner runs in small circles	Hose on hose cleaner end assembly bent	Lay out in sun until straight

WARRANTY

A limited warranty program protects your HAYWARD NAVIGATOR®/ POOLVAC SERIES cleaner. To Take full advantage of the limited warranty, please read, complete and return registration card within the 14 days of purchase date. Your warranty card is packed in the Owner's Guide and accessory pack.

HAYWARD POOL PRODUCTS LIMITED WARRANTY

To original purchasers of this equipment, Hayward Pool Products, Inc. warrants these cleaners to be free from defects in materials and workmanship for a period of TWO (2) years from the date of purchase, when used in single family residential applications.

The limited warranty excludes damage from freezing, negligence, improper installation, improper use or care or any Acts of God. Parts that fail from a defect or become defective during the warranty period shall be repaired or replaced, at our option, within 90 days of the receipt of defective product, barring unforeseen delays, without charge.

Proof of purchase is required for warranty service. In the event proof of purchase is not available, the manufacturing date of the product will be the sole determination of the purchase date.

To obtain warranty service, please contact the place of purchase or the nearest Hayward Authorized Service Center. For assistance on your nearest Hayward Authorized Service Center, please visit us at www.hayward.com.

Hayward shall not be responsible for cartage, removal, repair or installation labor or any other such costs incurred in obtaining warranty replacements or repair.

The Hayward Pool products warranty does not apply to components manufactured by others. For such products, the warranty established by the respective manufacturer will apply.

The express limited warranty above constitutes the entire warranty of Hayward Pool Products with respect to its pool products and is in lieu of all other warranties expressed or implied, including warranties of merchantability or fitness for a particular purpose. In no event shall Hayward Pool products be responsible for any consequential, special or incidental damages of any nature.

Some states do not allow a limitation on how long an implied warranty lasts, or the exclusion of incidental or consequential damages, so the above limitation may not apply to you. This warranty gives you specific legal rights, and you may also have other rights, which vary from state to state.

REGISTRATION CARD

DETACH HERE: Fill out bottom portion completely and mail within 10 days of purchase/installation or register online

WARRANTY REGISTRATION CARD

Register online at www.haywardnet.com

Please Print Clearly:

First Name _____

Last Name _____

Street Address _____

City _____ State _____ Zip _____

Phone Number _____ Purchase Date _____

E-Mail Address _____

Serial Number _____

Model Number _____

Pool Capacity _____ (U.S. Gallons)

Please include me on all e-mail communications regarding Hayward® Equipment or promotions.

Mail to: Hayward Pool Products, 620 Division Street, Elizabeth, NJ 07207

Attn: Warranty Dept

or REGISTER YOUR WARRANTY ON-LINE AT WWW.HAYWARDNET.COM

Years Pool has been in service

< 1 year 1-3 4-5 6-10 11-15 >15

Purchased from

Builder Retailer Pool Service Internet/Catalog

Company Name _____

Address _____

City _____ State _____ Zip _____

Phone _____

Type of Pool:

Concrete/Gunite Vinyl Fiberglass

Other _____

New Installation Replacement

Installation for:

In Ground Above Ground Spa

Thank you for your purchase.



Hayward Pool Products
620 Division Street, Elizabeth, NJ 07201
908.351.5400 • Hayward.com