

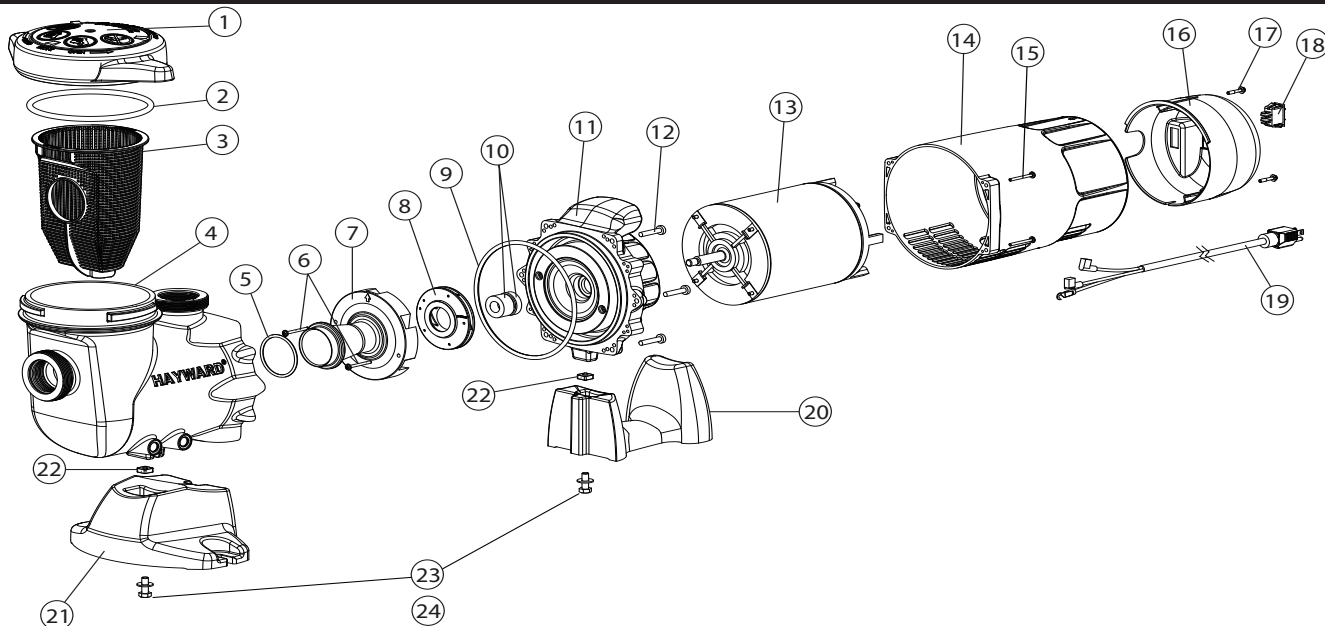
# Turbo Flo II

## PUMP SERIES REPLACEMENT PARTS



Pumps

### Parts Diagram



Ref. No.	Part No.	Description	Qty Req'd
1 & 2	SPX2700DLS	Strainer Cover/O-Ring	1
3	SPX2700M	Strainer Basket	1
4	SPX5700A	Pump Housing	1
5	SPX1495Z1	O-Ring	1
6	SPX2700Z3	Screw	2
7	SPX5700B	Diffuser	1
8	SPX1591F	Impeller	1
9	SPX5500H	Strainer Housing O-Ring	1
10	SPX1250XZ2C	Shaft Seal	1
11	SPX5700E	Seal Plate	1
12	6060Z1	Screw	6x
13a	SPX1509Z1UF	1 HP Motor	1
13c	SPX1514Z1UF	1.5 HP Motor	1
13d	SPX1514Z2UF	1.5 HP 2SP Motor	1
20	SPX5700G	Motor Support	1
21	SPX5700H	Main Base	1
22	SPX2700Z2	Housing Square Nut	2
23	SPX5700Z4	Bolt	2
24	SPX5700Z5	Washer	2