



## Super Pump® VS 115V

VARIABLE-SPEED PUMP SERIES

### Superior energy efficiency in a 115-volt pump.

The Super Pump VS 115V from Hayward® is the most energy efficient 115-volt variable-speed pump on the market, offering energy savings of up to 80% over ordinary single-speed pumps. As the only pump of its kind with a super-efficient permanent magnet motor, the Super Pump VS 115V is the most cost-effective way to upgrade your equivalent single-speed pump. And because it's an easy drop-in replacement, it's also the simplest. So give your pool an upgrade that truly makes a difference—the Super Pump VS 115V.





The intuitive control interface rotates to four positions on the pump, so it's always easy to read and operate.

Hayward Exclusive

**Control Interface**  
Can rotate or wall-mount for ease of viewing (see left).

**Advanced Motor Design**  
Permanent magnet, totally-enclosed fan cooled (TEFC) design provides incredible energy efficiency and reliability.



**Exclusive Swing-Away Hand Knobs**  
Allow easy strainer cover removal without tools.

**110 Cubic-Inch Basket**  
Extra leaf-holding capacity.

**See-Through Strainer Cover**  
Easy to see when the basket requires cleaning.

**Self-Priming Capability**  
Suction lift up to 10' above water level.

Incredibly quiet operation, especially at lower, energy-saving speeds.

## Right for your pool. Right for the environment. Right for you.

### Perfectly tailored performance.

Now you can enjoy the energy efficiency of a variable-speed pump, even if your existing pump is only wired for 115V. The Super Pump® VS 115V is specifically built to be an easy drop-in replacement for 115V single-speed pumps like the best-selling Super Pump, giving you the energy savings you need without any extraneous features you don't.

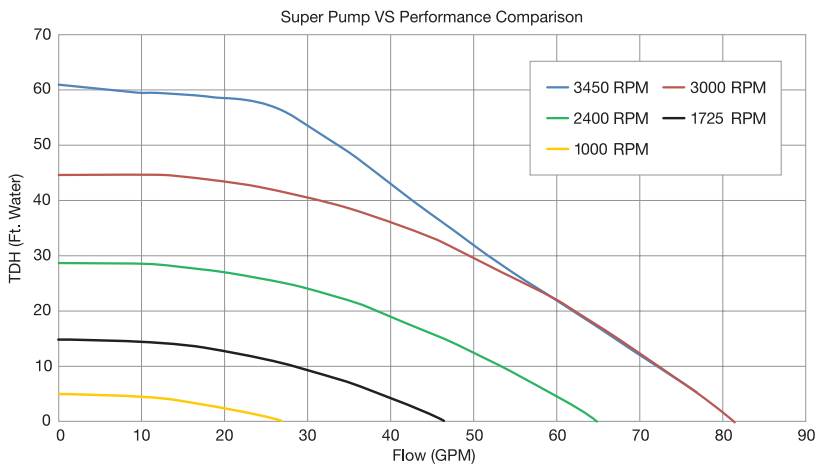
### Unrivalled energy efficiency.

The Super Pump VS 115V is the only 115V variable-speed pump with a permanent magnet motor, making it the most efficient model of its kind. Because it tailors pump speed to suit your needs, it can provide up to 80% energy savings over ordinary single-speed pumps.



### Compatible, convenient operation.

A rotatable user interface—only available from Hayward—is yet another way the Super Pump VS 115V caters to your needs. The intuitive control pad can be turned in four directions or removed and wall-mounted if you want to locate it remotely. Super Pump VS 115V is also easy to connect to any automation system with relays, so it fits seamlessly into your lifestyle.



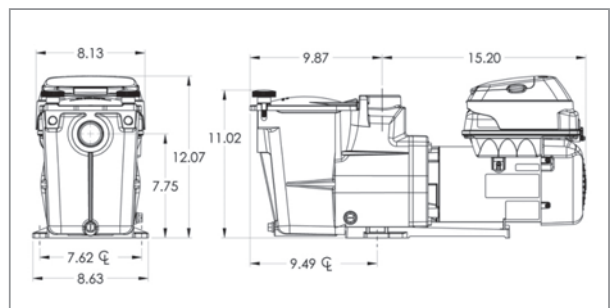
## Super Pump VS 115V Features & Benefits

- Designed to replace existing 115V single-speed pumps without the need for electrical upgrades.
- Built with a permanent magnet motor for up to 80% energy savings over ordinary single-speed pumps.
- Integrated, programmable, rotatable digital interface with 24-hour clock and up to 8 custom timer functions.
- Optional wall-mount kit available to remotely locate the pump user interface.
- Can be connected to any automation system using relay controls.

## Applications

- Small to medium-sized in-ground pools
- Above-ground pools
- Spas

## Dimensions Drawings (Inches)



MODEL NUMBER	DESCRIPTION	TOTAL HP	SPEED RANGE	VOLTAGE
SP26115VSP	Super Pump VS for 115 Volt Operation	.85	600-3450 RPM	115V Single Phase

Super Pump VS 115V pumps are listed by:

To take a closer look at Super Pump VS 115V or other Hayward® products, go to [hayward.com](http://hayward.com) or call 1-888-HAYWARD.

Hayward, Hayward Energy Solutions and Super Pump are registered trademarks of Hayward Industries, Inc. © 2015 Hayward Industries, Inc. All other trademarks not owned by Hayward are the property of their respective owners. Hayward is not affiliated with or endorsed by those third parties.

